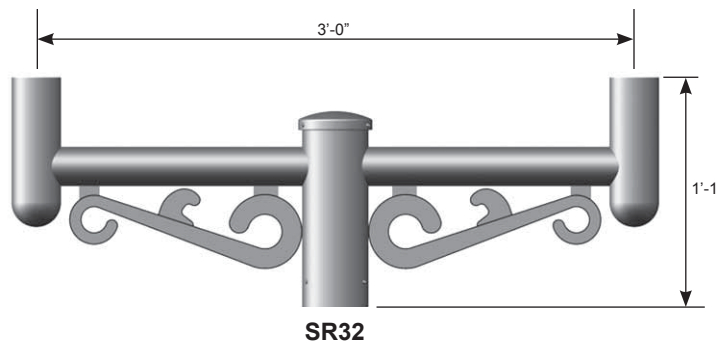


| | |
|---|--------------------------------------|
| Job Name: _____ | Client Name: _____ |
| Job Location - City: _____ State: _____ | Created By: _____ Date: _____ |
| Product: _____ Quote: _____ | Customer Approval: _____ Date: _____ |

SPECIFICATIONS



| ARM TYPE | ARM ATTACHMENT | EPA (SQ. FT) | WEIGHT (LBS) | MODEL NUMBER |
|---------------|------------------------|--------------|--------------|--------------|
| Double - 180° | 3.00" OD x 3.00" Tenon | 1.7 | 12 | SR32 |

PRODUCT ORDERING CODES

| DESIGN SERIES | MODEL NUMBER | LUMINAIRE MOUNTING | COLOR* | | OPTIONS |
|---------------|--------------|--|---|---|--|
| PTA | SR32 | T2 = 2.38" OD x 3.00" T3 = 3.00" OD x 3.00" ST = Special Tenon (Specify) | STEEL WH = White ST = Sandstone BK = Black SM = Silver Metallic SL = Silver LG = Light Gray SG = Slate Gray DT = Dark Tan MB = Medium Bronze CB = Bronze DB = Dark Bronze BN = Brown HG = Hunter Green DG = Dark Green RD = Red SC = Special Color (Contact Factory) | ALUMINUM DWH = White DSS = Sandstone BR = Burgundy HG = Hunter Green DNA = Natural Aluminum DCG = Charcoal Gray DMB = Medium Bronze SBN = Sanded Brown DNB = New Dark Bronze DDB = Dark Bronze SBK = Sanded Black DBL = Black DSB = Steel Blue DTG = Dark Green DBR = Red SC = Special Color (Contact Factory) | See Accessories at valmontstructures.com (Please Specify) * Choose steel or aluminum when used in conjunction with the appropriate pole material. Color applies to luminaire arm and finial. |

SPC7201 04/09 valmontstructures.com carries the most current spec information and supersedes these guidelines.