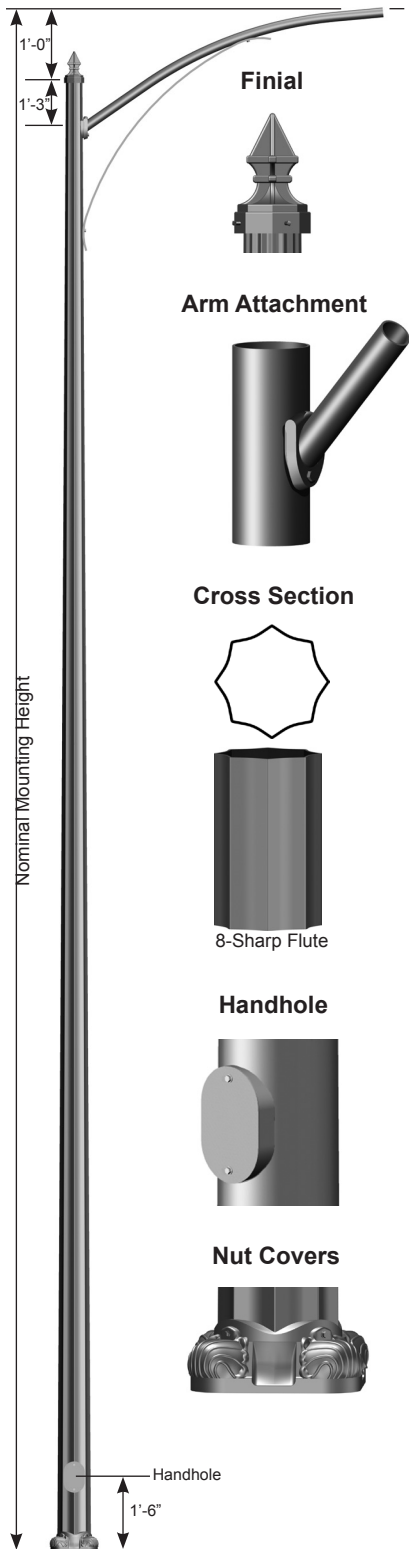


Job Name: _____	Client Name: _____
Job Location - City: _____ State: _____	Created By: _____ Date: _____
Product: _____ Quote: _____	Customer Approval: _____ Date: _____



SPECIFICATIONS

Pole - The pole shaft conforms to ASTM A595 Grade A or A572 Grade 55 with a constant linear taper of 0.14 in/ft.

Fluting Process - The tapered shafts are cold rolled over a precision hardened steel mandrel to form the 8 Sharp flutes. The flutes are uniform and equally spaced throughout the process. The termination of the flutes is no greater than 1.50" radii transition into the round section of the shaft. The results of this fluting process are flutes with architecturally pleasing radiused terminations and crisp uniform flutes.

Linear Flute Layout - Poles are provided fully fluted from pole top to anchor base. Consult factory for custom flute start and stop locations.

Finial - A decorative spear finial with hardware is provided.

Luminaire Arm - Luminaire arms are made from 2" schedule 40 pipe (2.38" OD) with a minimum yield strength of 36,000 psi. Double luminaire arms are oriented 180° apart. For other orientations and scroll options please consult factory.

Handhole - A covered handhole and grounding provision with hardware is provided.

Nut Covers - Decorative anchor bolt nut covers with hardware are provided.

Anchor Base - The cast anchor base (base plate) conforms to ASTM A27 Grade 65-35.

Anchor Bolts - Anchor bolts conform to ASTM F1554 Grade 55 and are provided with two hex nuts and two flat washers. Bolts have an "L" bend on one end and are galvanized or zinc-plated carbon steel or stainless steel.

Hardware - All structural fasteners are galvanized high strength carbon steel. All non-structural fasteners are galvanized or zinc-plated carbon steel or stainless steel.

Finish - Standard finishes are galvanized, prime painted or any of Valmont's V-PRO™ Protection Systems. Additional finish options available upon request.

Design Criteria - Please reference Design Criteria Specification for appropriate design conditions.

ARM DATA

Double Arm Arrangement



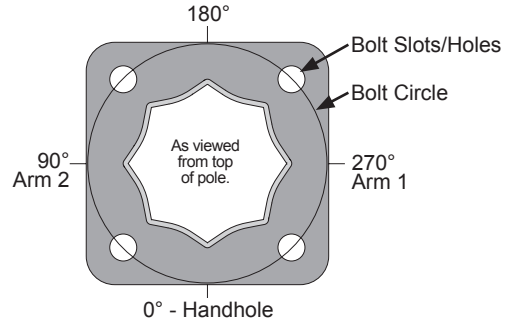
ROUND TAPERED STEEL Fluted FLC30

Job Name: _____	Client Name: _____
Job Location - City: _____ State: _____	Created By: _____ Date: _____
Product: _____ Quote: _____	Customer Approval: _____ Date: _____

ANCHORAGE DATA

POLE		BASE PLATE				ANCHOR BOLTS			
BASE OD (IN)	WALL THK (GA)	BOLT CIRCLE		SQUARE (IN)	THK (IN)	DIA x LENGTH x HOOK (IN)	PROJECTION (IN)	± (IN)	
		DIA (IN)	± (IN)						
6.50	11	9.50	0.00	10.00	0.880	1.00 x 36.00 x 4.00	4.13	0.25	
8.00	11	11.00	0.00	11.50	1.250	1.00 x 36.00 x 4.00	4.50	0.25	
8.50	11	11.50	0.00	12.00	1.250	1.00 x 36.00 x 4.00	4.50	0.25	
9.50	11	13.00	0.00	13.50	1.500	1.25 x 42.00 x 6.00	5.25	0.25	
9.50	7	13.00	0.00	13.50	1.500	1.25 x 42.00 x 6.00	5.25	0.25	

Anchor Base Detail



LOAD AND DIMENSIONAL DATA

NOMINAL MOUNTING HEIGHT	QUANTITY OF ARMS	MAX ARM LENGTH (FT)	DESIGN INFORMATION		POLE DIMENSIONS					MODEL NUMBER
			MAX LUMINAIRE EPA ¹ (SQFT)	MAX LUMINAIRE WEIGHT ¹ (LBS)	BASE OD (IN)	TOP OD (IN)	WALL THK (GA)	STRUCTURE WEIGHT ² (LBS)		
									100 MPH w/1.3 GUST	
21'-0"	Single	8'	75	2.0	6.50	3.70	11	200	A650A200	
	Double	8'	75	2.0	6.50	3.70	11	235	A650A200	
31'-0"	Single	8'	75	2.0	8.00	3.80	11	304	A800A300	
	Double	8'	75	2.0	8.00	3.80	11	340	A800A300	
35'-0"	Single	8'	75	2.0	8.50	3.74	11	335	A850A340	
	Double	6'	55	1.7	8.50	3.74	11	365	A850A340	
41'-0"	Single	8'	75	2.0	9.50	3.90	11	590	A950A400	
	Double	4'	45	1.0	9.50	3.90	11	625	A950A400	
	Double	8'	75	2.0	9.50	3.90	7	635	A950E400	

- EPA represents the Effective Projected Area of each luminaire. Designs are limited to one luminaire per arm. Variations from sizes above are available upon inquiry at the factory. Satisfactory performance of poles is dependent upon the pole being properly attached to a supporting foundation of adequate design.
- Structure Weight is a nominal value which includes the pole, base plate and luminaire arm(s) only.

PRODUCT ORDERING CODES

DESIGN SERIES	CROSS SECTION	MODEL NUMBER	FIXTURE MOUNTING	FINISH	COLOR	V-PRO™ PROTECTION SYSTEM	OPTIONS
FLC30	A						
	A=8 Sharp	A650A200 A800A300 A850A340 A950A400 A950E400	4S = 4' Single 4D = 4' Double 6S = 6' Single 6D = 6' Double 8S = 8' Single 8D = 8' Double	GV = Galvanize PP = Prime Paint FP = Finish Paint GF = Galvanized + Finish Paint	-- = Galvanize -- = Prime Paint WH = White ST = Sandstone BK = Black SM = Silver Metallic SL = Silver LG = Light Gray SG = Slate Gray DT = Dark Tan MB = Medium Bronze CB = Bronze DB = Dark Bronze BN = Brown HG = Hunter Green DG = Dark Green RD = Red SC = Special Color (Contact Factory)	-- = Galvanize -- = Prime Paint V1 = V-PRO 1 Basic 1 Coat Powder. V2 = V-PRO 2 2 Coat Powder or Liquid. Includes epoxy primer & top coat. V3 = V-PRO 3 2 Coat Powder or Liquid. Includes zinc primer & top coat. V4 = V-PRO 4 2 Coat Powder or Liquid. Includes zinc primer & premium top coat.	See Accessories at valmontstructures.com (Please Specify)

valmontstructures.com carries the most current spec information and supersedes these guidelines. SPC7305 04/09