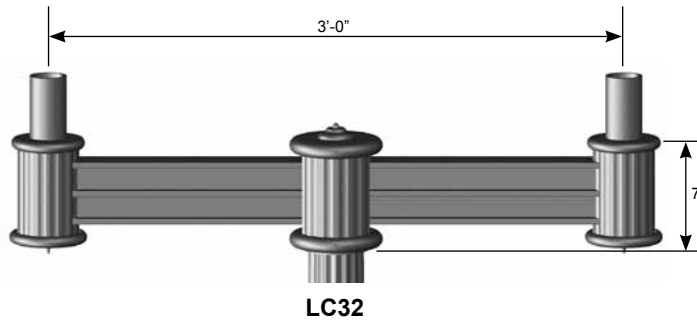


Job Name: _____	Client Name: _____
Job Location - City: _____ State: _____	Created By: _____ Date: _____
Product: _____ Quote: _____	Customer Approval: _____ Date: _____

**SPECIFICATIONS**



ARM TYPE	ARM ATTACHMENT	EPA (SQ.FT)	WEIGHT (LBS)	MODEL NUMBER
Double - 180°	3.00" OD x 3.00" Tenon	3.0	21	LC32

**PRODUCT ORDERING CODES**

DESIGN SERIES	MODEL NUMBER	LUMINAIRE MOUNTING	COLOR*		OPTIONS
PTA	LC32	T2 = 2.38" OD x 3.00" T3 = 3.00" OD x 3.00" ST = Special Tenon (Specify)	<b>STEEL</b> WH = White ST = Sandstone BK = Black SM = Silver Metallic SL = Silver LG = Light Gray SG = Slate Gray DT = Dark Tan MB = Medium Bronze CB = Bronze DB = Dark Bronze BN = Brown HG = Hunter Green DG = Dark Green RD = Red SC = Special Color (Contact Factory)	<b>ALUMINUM</b> DWH = White DSS = Sandstone BR = Burgundy HG = Hunter Green DNA = Natural Aluminum DCG = Charcoal Gray DMB = Medium Bronze SBN = Sanded Brown DNB = New Dark Bronze DDB = Dark Bronze SBK = Sanded Black DBL = Black DSB = Steel Blue DTG = Dark Green DBR = Red SC = Special Color (Contact Factory)	See Accessories at <a href="http://valmontstructures.com">valmontstructures.com</a> (Please Specify)

\* Choose steel or aluminum when used in conjunction with the appropriate pole material. Color applies to luminaire arm and finial.