

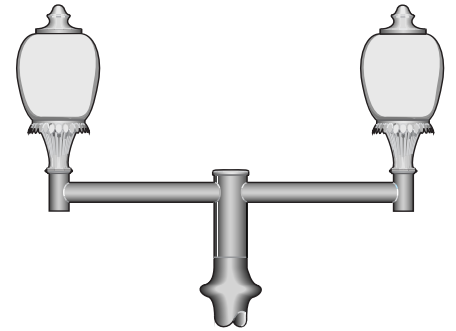
# LIGHT BRACKETS

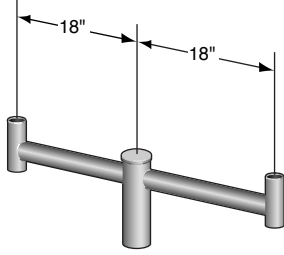
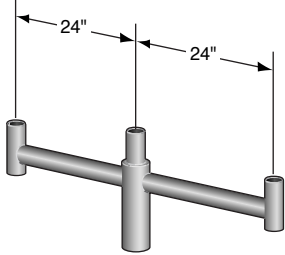
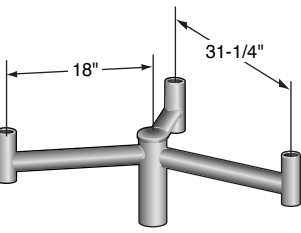
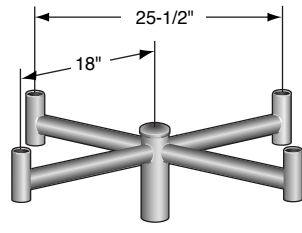
## HERITAGE SERIES DECORATIVE POLES

- 2-7/8" O.D. bracket and pole tenons - additional sizes available.

### SPECIFICATIONS

HERITAGE series light brackets are constructed out of seamless aluminum tubing. These products include: factory installed rubber grommets for wireways, press-on end caps and hub/set screw shaft mounting connection for easy orientation adjustment in the field.



2 - TENON 180° VERTICAL MOUNT	3 - TENON 180° VERTICAL MOUNT
 <p><b>Model Number:</b> 2VTH180 <b>EPA of Bracket:</b> 1.15 <b>Typical Wt. Load Per Tenon:</b> 50 Lbs. <b>Max. EPA Load Per Tenon:</b> 6.0</p>	 <p><b>Model Number:</b> 3VTH180 <b>EPA of Bracket:</b> 1.64 <b>Typical Wt. Load Per Tenon:</b> 50 Lbs. <b>Max. EPA Load Per Tenon:</b> 6.0</p>
3 - TENON 120° VERTICAL MOUNT	4 - TENON 90° VERTICAL MOUNT
 <p><b>Model Number:</b> 3VTH120 <b>EPA of Bracket:</b> 1.34 <b>Typical Wt. Load Per Tenon:</b> 50 Lbs. <b>Max. EPA Load Per Tenon:</b> 6.0</p>	 <p><b>Model Number:</b> 4VTH90 <b>EPA of Bracket:</b> 1.89 <b>Typical Wt. Load Per Tenon:</b> 50 Lbs. <b>Max. EPA Load Per Tenon:</b> 6.0</p>

Tenon loading has been calculated for weights based on a 100 M.P.H constant wind with a 1.3 gust factor. When loading requirements exceed these limits contact your Valmont representative or Valmont Industries. Variations from sizes listed above are available upon inquiry at the factory.

## CATALOG LOGIC

