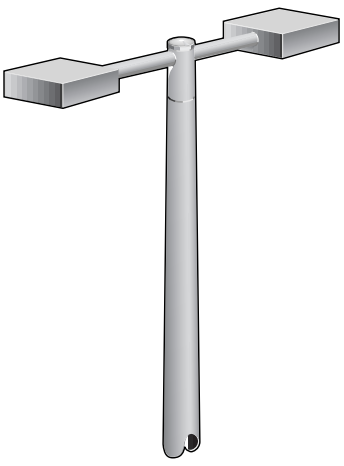
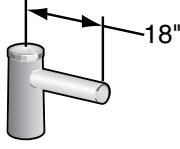
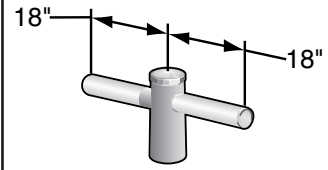
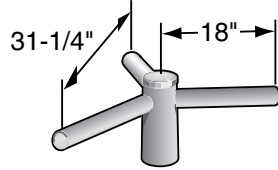
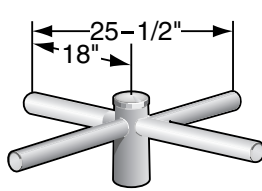


# TOP MOUNT STRAIGHT FLOODLIGHT BRACKETS

Tenon loading is calculated for weights based on a 100 M.P.H. constant wind with a 1.3 gust factor located 30' above grade. When loading requirements exceed these limits contact your Valmont representative or Valmont Industries, Inc.

- 2-3/8" O.D. tenons and mounting arms - other sizes available upon request.
- Bracket hubs slipfit 3", 4", 4-1/2" and 6" O.D. pole tops or tenons.

ILLUSTRATION	DIMENSION	DESCRIPTION	MODEL NUMBER	EPA OF BRACKET	MAX WEIGHT LOAD PER TENON	MAX EPA LOAD PER TENON
		<b>Single Arm Horizontal Mount</b>	1HT90	.43	100	6.0
		<b>Double Arm 180° Horizontal Mount</b>	2HT180	.65	100	6.0
		<b>Triple Arm 120° Horizontal Mount</b>	3HT120	.62	100	6.0
		<b>Quad Arm 90° Horizontal Mount</b>	4HT90	.70	100	6.0

SPC7087 08/07 www.valmontstructures.com carries the most current spec information and supercedes these guidelines.

Variations from sizes listed above are available upon inquiry at the factory.