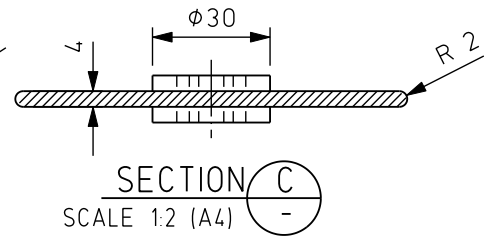
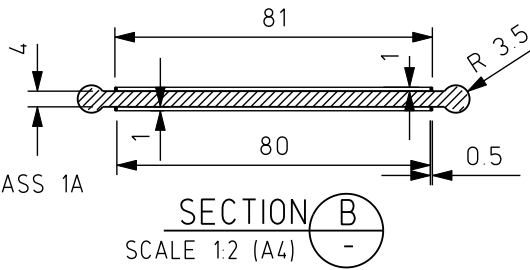
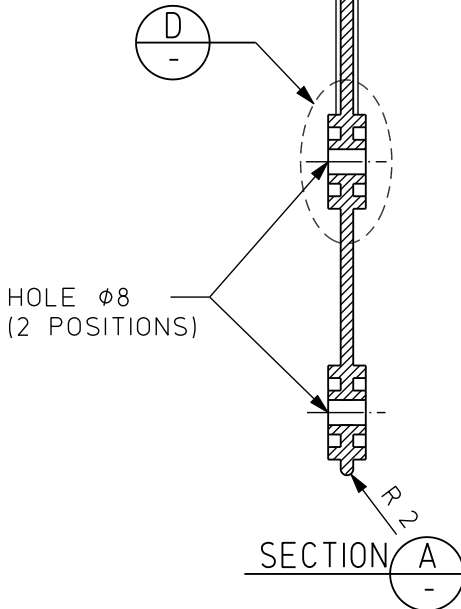
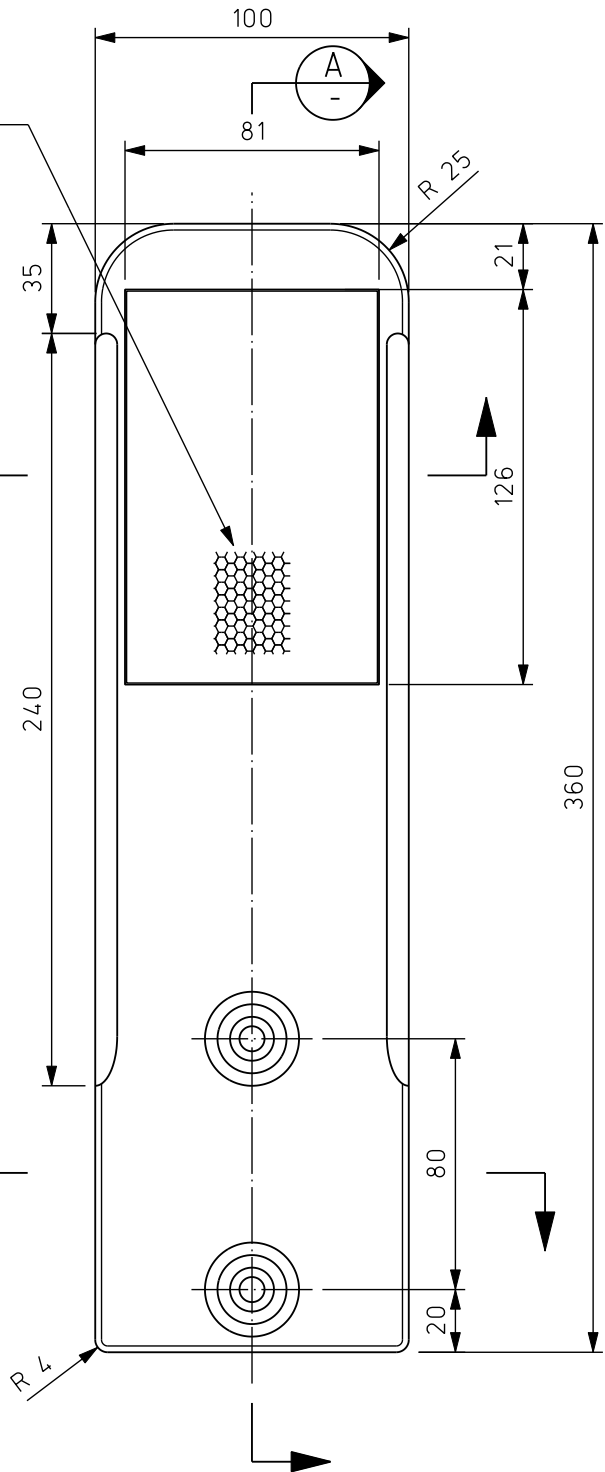
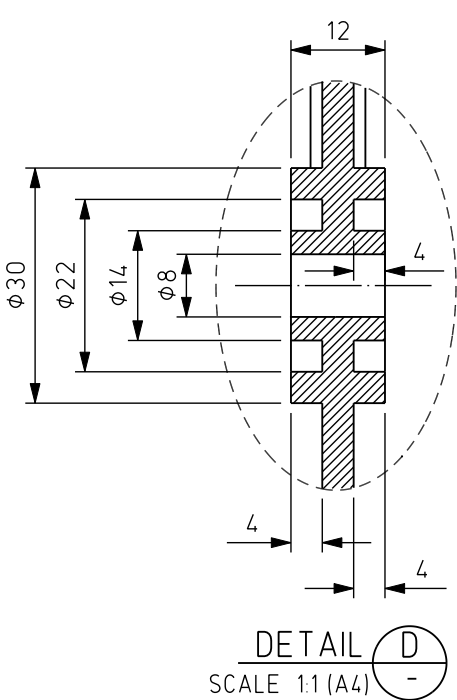


NOTE:

RETROREFLECTIVE MATERIAL SHALL MEET THE REQUIREMENTS OF CLASS 1A AS DEFINED IN AS/NZS 1906.1



RETROREFLECTOR STICKER
125mm LONG x 80mm WIDE
USE PART No. C1278R (RED) THIS SIDE
& PART No. C1278W (WHITE) OTHER SIDE



HOLE $\phi 8$
(2 POSITIONS)

RESIZED RETROREFLECTOR	A.P.	17/1/07
6	B.F.	23/3/05
5	B.F.	7/2/03
4	Checked	Date
ISSUE	Description	

INGAL Civil Products
57-65 Airds Road, Minto, NSW, 2566 Australia
Telephone 61-2-9827 3322
Facsimile 61-2-9827 3300
Internet www.ingalcivil.com.au
© Industrial Galvanizers Corporation Pty Ltd
ACN 000 545 415 (2005)

PROJECT DETAILS
**FLEXBEAM GUARDRAIL
DELINEATOR FOR CHARLIE BLOCKER
RETROREFLECTORS - RED/WHITE**

NSW ACT QLD NT VIC TAS WA SA SNG HK ---

DATE 23/3/05 DRAWN B.FREEMAN DESIGNED BY OTHERS CHECKED B.F.

MAT. NYLON - 402B FINISH WHITE SCALE 1:2.5 (A4) U.N.O.

INGAL CIVIL PRODUCTS
PART No.
C1275

ISSUE No.
6

Tolerances unless otherwise noted; general: ± 2 mm, bend angles: $\times 2^\circ$, hole dia: $\times 0.4$ mm, straightness: 1:5 per 10000

17/1/07

CAD FILE - C1275.DGN