



Composite Poles

Technical Information
and Specifications

Marathon Poles

Exclusive Lifetime Warranty

CMT warrants the subject products to be free of fiber-blooming (exposed structural glass that has degraded) for the LIFETIME of the original installation when used under normal conditions. Product that has been damaged due to handling, transportation, installation, or vandalism is not be covered under this warranty.

CMT also warrants the subject product to be free of defects in material and workmanship for a period of three (3) years from the date of purchase, when used under normal conditions. CMT will repair or replace, at its sole option, any defective product during the warranty period.

The above constitutes fulfillment of CMT's obligation under this warranty and constitutes the buyer's sole remedy. CMT makes no other express or implied warranty, nor any warranty of fitness for a particular purpose or merchantability. CMT's obligation to repair or replace any defective product does not include any obligation to reimburse transportation, installation, removal, or any other expenses that may be incurred by the buyer or other parties in relation to any product defect, nor does CMT accept any responsibility for unauthorized repairs to any product. In no event shall CMT be liable for any consequential damages.





Composite Poles

Technical Information and Specifications

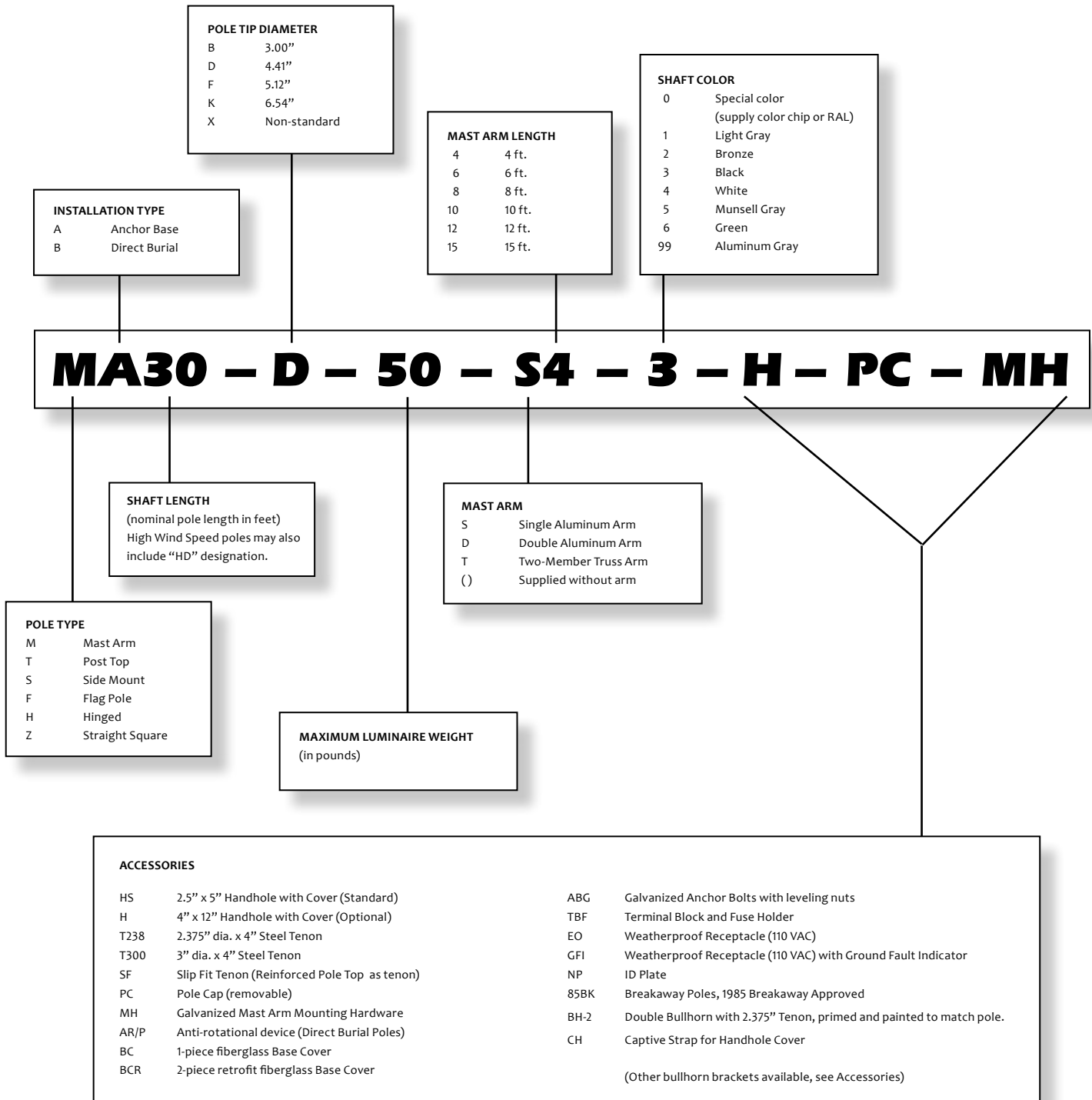
TABLE OF CONTENTS

	InsideFrontCover
LIFETIME Warranty	
General information	
How to order	2
Pole selection guide	3
Sample Specifications	4
Installation recommendations	6
U.S. Isotach Wind Map	8
The CMT Process	9
Fiberglass poles, tapered round	
Post Top	10
Side Mount	12
Mast Arm	14
Square Poles, non-tapered	20
Breakaway approved poles	
Post Top	22
Side Mount	23
Mast Arm	24
Hinged Poles	25
Flag Poles	26
High Wind Speed Poles	28
High Wind Speed Square Poles	34
Attachments and Accessories	
Base Covers, Anchor Bolts	35
Mast Arms	36
Bullhorn Brackets	37
Electrical Options	38
Hinged Façade Base	39
Magnolia Ornamental Shrouds	40



145 Wood Street
 Estill, SC 29918
 803-625-3131 • 800-416-4276
 Fax: 803-625-4722
www.cmt-poles.com

How to order: Catalog Number Legend



General

All lighting fixtures or luminaires must be properly fitted to a pole assembly to ensure that the total weight is supported and that the complete assembly will support the installation location's maximum wind velocity. The three criteria for proper pole selection are: total assembly weight (luminaire), Effective Projected Area ("EPA" in ft²), and tenon size (for top mounted luminaires).

Refer to your lighting manufacturer's product catalog. For most manufacturers, each luminaire has its weight, EPA, and required tenon size specified. Once you select your lighting fixtures, total the combined weight and total EPA. You must include any signage, decoration, or other non-lighting equipment to be used.

This publication lists weight capacity information for each CMT pole, along with supported EPA for various wind speed requirements. This is the maximum total for all luminaires, including any signage, decoration or other non-lighting equipment that may be attached to the pole.

Effective Projected Area (EPA)

The formula to calculate the force of wind on an object is the actual projected area of the object times the coefficient of drag times velocity pressure of the wind. EPA is the resulting product.

When mounting a luminaire/light fixture, the center of gravity for the fixture should be no more than 18 inches above the pole top. Recommended maximum weights are listed for each wind velocity for every pole.

Pole Selection Instructions

1. Choose your lighting luminaire and any attachments.
2. Find the weight and EPA for all components from the manufacturers' catalogs.
3. Check the wind velocity map or other resource for the geographic area in which the poles are to be installed.
4. Select the pole type required: Mast Arm, Post Top, Anchor Base, or Direct Burial.
5. Determine the nominal mounting height required and the luminaire's required tenon size (for top-mounted poles).
6. If required, select the Mast Arm and Mast Arm length.
7. Choose the required color. For special colors, include a color chip or RAL.
8. Choose any accessories: GFI outlet, terminal block, base covers, etc. Check the pole order logic for codes required.
9. Refer to the poles specifications pages to select and confirm your selections.
10. Re-check that the weight and EPA totals do not exceed the specific pole's ratings. If they do not, you have selected the correct pole.

Note: This information is intended only as guidance. Please call your CMT representative for confirmation of your selection.

Sample Specification

Specifications for Fiberglass Reinforced Composite (FRC) Poles

1.0 MATERIAL OF CONSTRUCTION

- 1.0.1 The shaft shall be constructed of a commercial grade of "E" glass or better.
- 1.0.2 The surface of the shaft shall be smooth and consist of a saturated polyester surfacing veil of 18-20 mils minimum thickness and a 10 mil resin layer.
- 1.0.3 The resin shall be unsaturated polyester resin containing UV inhibitor and pigment throughout. A minimum of 1.5 mil urethane coating shall be applied to the surface of the pole shaft.
- 1.0.4 The surfacing veil and structural fibers shall be saturated in a singular process with the same resin, ensuring molecular bonding between structural layers and the protective layer.

2.0 CONSTRUCTION STANDARDS

- 2.0.1a All round tapered shafts shall be centrifugally cast to ensure a dense void-free wall and a smooth surface.
- 2.0.1b All square shafts shall be constructed by the pultrusion process from thermosetting polyester resin and contain a minimum of 65 percent "E" type fiberglass by weight.
- 2.0.2 The pole shall be designed for direct burial or anchor base mounting. Reference ANSI C136.20 for suggested burial depths.
- 2.0.3a Round tapered Anchor Base poles shall have a galvanized steel base with an internal sleeve design which provides a mechanical lock with the pole shaft.
- 2.0.3b Square Anchor Base poles shall have a cast A356-T6 aluminum, polyurethane coated base, which shall be permanently bonded to the outside of the fiberglass shaft.

- 2.0.4 Direct Burial poles shall have an anti-rotational device (if ordered) located 12 inches from the butt of the pole, consisting of a 2-in. diameter PVC pipe extending 2 inches from each side of the pole.
- 2.0.5 Direct Burial poles shall have two, 2.375-in. diameter wire entry holes, located 18 inches below ground line, 180 degrees apart. Either of these holes shall be 90 degrees from the side intended for mounting of the arm(s), where arms are applicable.
- 2.0.6 The pole surface shall be smooth and have a uniform taper of 0.216 inches per foot.
- 2.0.7 A handhole, 2.5 in. x 5 in., with a painted cover shall be supplied, including fasteners. (Optionally: The poles shall be supplied with a 4 in. x 12 in. nominal handhole cover equipped with non-metallic, vandal-resistant allenhead or slotted hex-head fasteners.) All handhole covers, fasteners and exposed handhole reinforcement shall be non-metallic.
- 2.0.8 Tenon Top type poles shall have a 2.375 in. or 3 in. diameter steel tenon permanently affixed. (Optionally: A slip-fit tenon affixed to the pole shall be provided whereby the top 6 inches of the pole shaft is reinforced with stainless steel mesh, so the tip of the shaft will serve as a tenon alone. Note, the slip-fit tenon is available only in 3-in. sizes.)
- 2.0.9 Mast arm poles shall be drilled at the factory to accept the applicable arm(s) specified.
- 2.0.10 Single member mast arms shall be made of Type 6061-T6-T4 aluminum with a 2-in. NPS slipfitter. The arms shall be secured to the pole by two, 5/8"-11 x 6", 8" or 10" bolts as appropriate, complete with two each curved washers and nuts.

- 2.0.11 The Shaft shall be constructed in one piece for lengths up to 53 feet.
- 2.0.12 (If applicable) A non-conductive pole cap shall be supplied for mast arm and side mount poles.

3.0 PERFORMANCE

- 3.0.1 The pole (and arm(s), if applicable) shall be able to withstand AASHTO Standards of 25-year mean recurrence interval wind velocities for the area where the pole is specified to be used.
- 3.0.2 Static deflection shall meet the following criteria:
 - 1. Deflection shall not exceed one (1) percent of above ground pole length.
 - 2. The difference in deflection within any 1-foot increment shall not exceed 0.35 in.
- 3.0.3 Under maximum specified wind conditions, the pole tip deflection shall not exceed 10 percent of above ground pole length.
- 3.0.4 The pole shall be resistant to long-term flexural fatigue failure. There shall be no significant change in visual appearance or mechanical properties after one million cycles of altering force applications, which force produces a deflection amplitude equal to or greater than the deflection produced by peak wind speed of 46 mph.



4.0 SHIPPING

- 4.0.1 The pole shall be wrapped with cardboard and covered with a suitable plastic wrapping envelope for shipping via commercial carriers. Poles shipped by flatbed may be wrapped in plastic and bundled, and do not require cardboard wrapping.

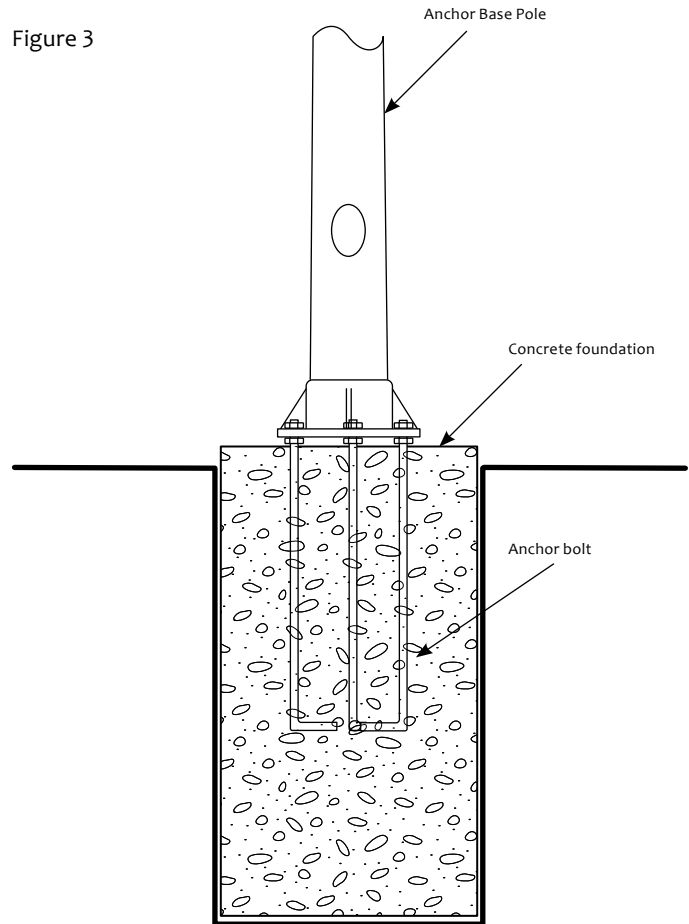
This document is available in text, Word, and WordPerfect electronic formats on CMT's website:

WWW.CMT-POLES.COM

Anchor Base Pole Installation Guide

Suggested Installation Procedure for Anchor Base Poles

1. The size of the required foundation depends on the soil's resistance and structural characteristics. A round or square foundation shape is acceptable, but round cylindrical shapes are most frequent.
2. The foundation's required depth will depend on soil conditions. It is usually advisable to have a soil testing organization make test borings to determine soil structural qualities. The minimum diameter of the foundation should be wide enough to allow enough space between the outside walls and the bolt hole circle to accommodate steel rebar and the anchor bolt hooks, or about 12 inches plus the pole's bolt hole circle.
3. Minimum concrete compressive strength should be approximately 3000 psi after 28 days of curing. Reinforcing bars should be deformed steel, vertically embedded and wrapped with tie bars. Be sure to provide adequate steel reinforcing and allow sufficient drying time before attaching the poles, in order to reduce the likelihood of concrete cracking.
4. When the foundation is cured, attach nuts to the anchor bolts and use a large level to make sure all nuts are level to each other.
5. Thread the wiring into the pole as you set the pole onto the nuts and secure it with the second set of nuts. Tighten securely. Connect all wiring at the handhole.



Note: This information is intended only as guidance.

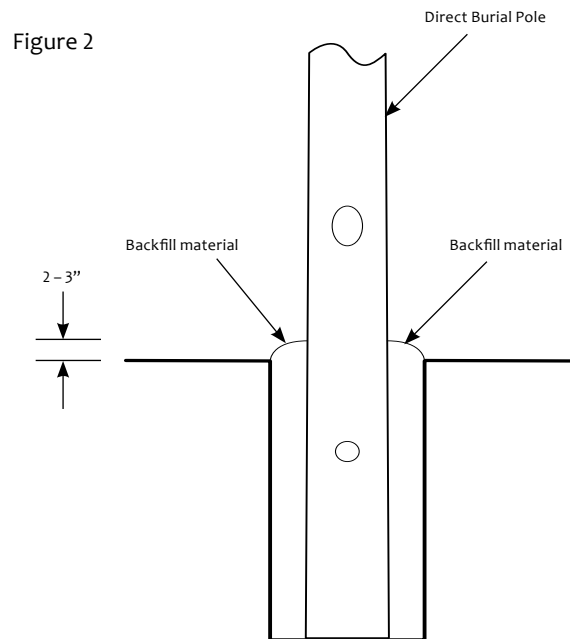
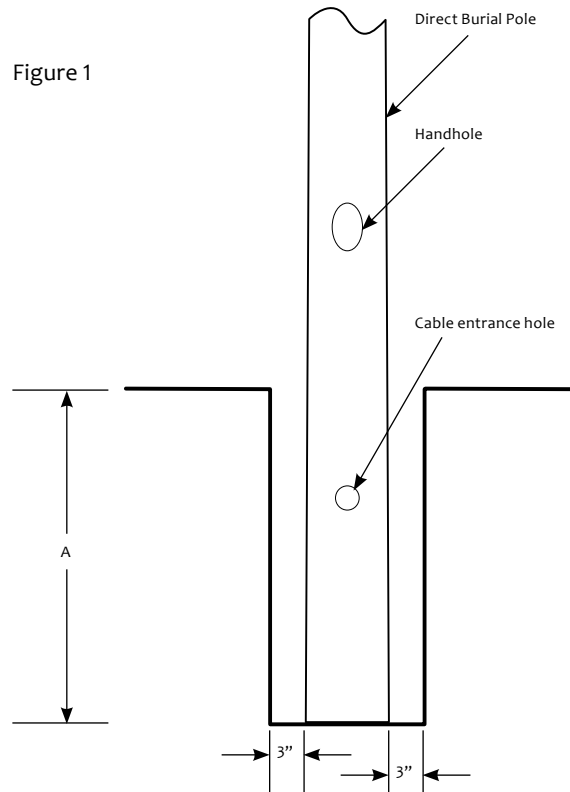
CMT does not assume any responsibility for pole installation.

Direct Burial Pole Installation Guide

Suggested Installation Procedure for Direct Burial Poles

1. Auger a hole that is a minimum of 6 inches wider than the butt of the pole. The suggested depth (dimension "A") is:

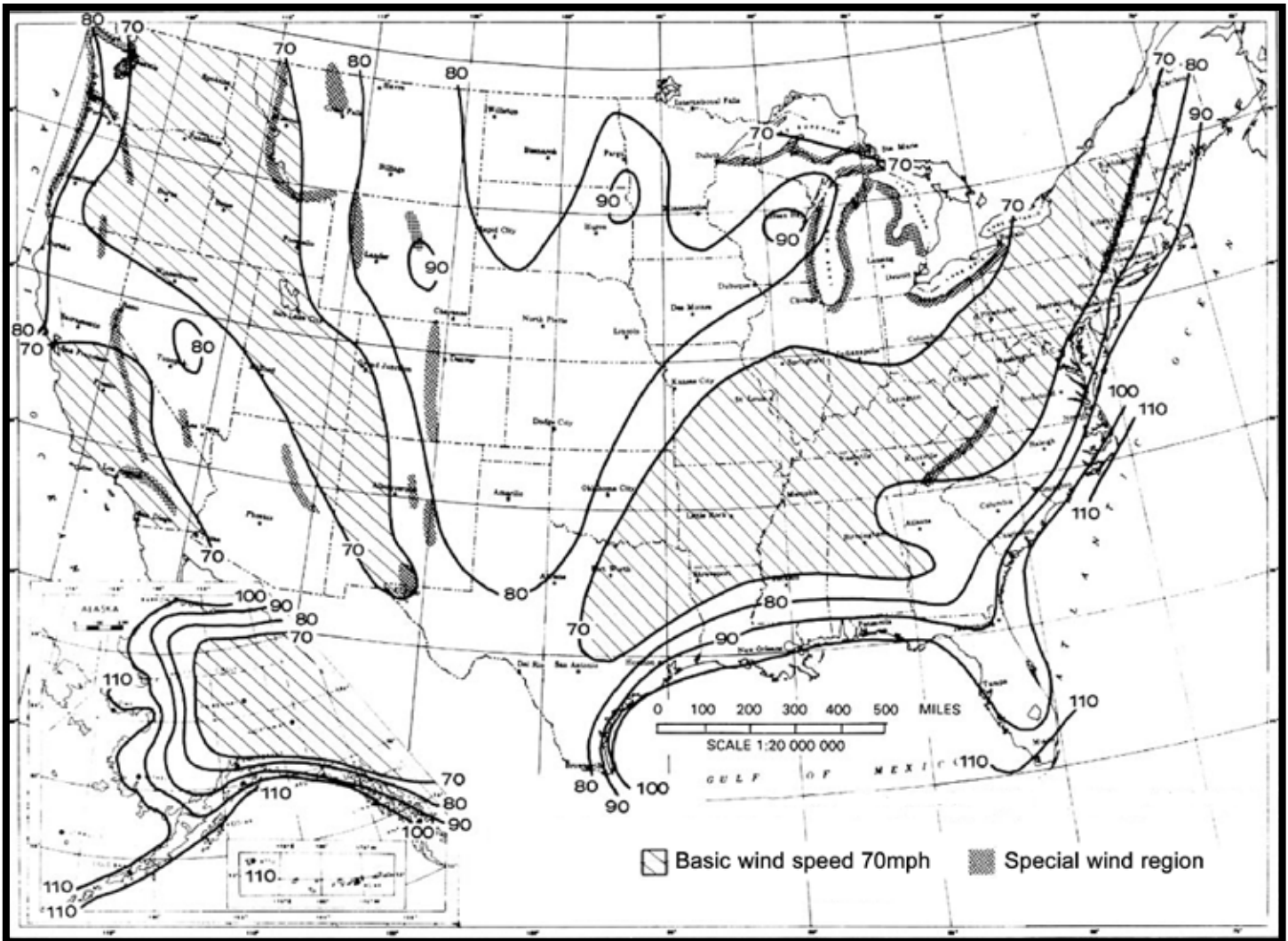
Up to 18 ft. mounting height:	3 ft.
18.1 to 25 ft.	4 ft.
25.1 to 40 ft.	5 ft.
40.1 to 50 ft.	6 ft.
2. Remove any protective wrapping from the pole and place the butt end of the pole in the center of the hole (Figure 1). As the pole is lowered into the hole, feed the underground wiring through the cable entrance hole(s) toward the handhole.
3. Hold the pole upright while backfilling the hole according to soil conditions as follows:
 - a. Poor soil: If the area is sandy or often retains water, a crushed aggregate material or concrete may be needed for backfill.
 - b. Good soil: If the soil is firm and does not retain water, the soil that was removed while augering the hole can be used as backfill.
4. Place approximately 4 to 6 inches of backfill into the hole. Plumb the pole from two positions, 90 degrees apart. To plumb the pole, hold a plumb-bob at a suitable distance from the pole and align it with the plumb-bob. Once the pole is plumbed, tamp the backfill thoroughly. Continue supporting the pole.
5. Add another 4 to 6 inches of backfill and tamp thoroughly. Re-plumb the pole two to three times before the backfill level reaches the ground line.
6. Place an additional 2 to 3 inches of backfill above the ground line (Figure 2) and tamp thoroughly.
7. Connect all wiring at the handhole.



Note: This information is intended only as guidance.

CMT does not assume any responsibility for pole installation.

U.S. Isotach Wind Map



Notes:

1. Values are fastest-mile speeds at 33 ft. (10 m) above ground for exposure category C (open terrain with scattered obstructions of generally less than 30 feet, including flat, open country and grasslands), and are associated with an annual probability of 0.02. For more information, refer to American Society of Civil Engineers ACSE Standard 7-93 and amendments, *Minimum Design Loads for Buildings and Other Structures*.
2. Linear interpolation between wind speed contours is acceptable.
3. Caution is advised in using wind speed contours in mountainous regions of Alaska, in Florida, and in hurricane prone regions.
4. CMT calculates EPA specifications to include a 30% gust factor.

The CMT process

Centrifugally Cast Fiberglass Composites

CMT employs a centrifugal casting process to make our round tapered composite poles. Each pole starts with a layer of polyester veil to provide a smooth exterior finish and lifetime warranty against fiber blooming. Then a knitted fiberglass fabric is cut to size and laid over the veil. We select the layers of fiberglass and other content according to the strength and other factors required in the finished pole. We then insert the pattern into one of our spin-casting machines.

As the machine spins, we introduce our specially formulated resin. From the centrifugal force, the resin immediately moves through the fiberglass to the outside of the spinning mold. After some curing time, the finished pole is removed from the machine. It then moves through the operation to receive custom drilling, handholes, tenons, and paint, all to customers' specifications. The final step is to wrap the poles for shipment to the customer.

Top to bottom, left to right:

1. CMT tenon top poles waiting for painting.
2. A stack of direct burial poles ready to be cut to length.
3. A machine operator assembles the fiberglass cloth that forms the basis for a CMT fiberglass pole.
4. A section of one of our centrifugal casting machines.
5. Newly cast round poles fitted with handholes before going to the paint station.
6. Painted poles fresh from the dryer, awaiting wrapping and bundling.



1.



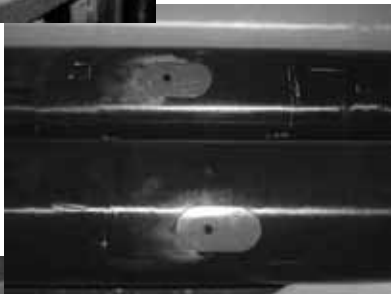
2.



3.



4.



5.



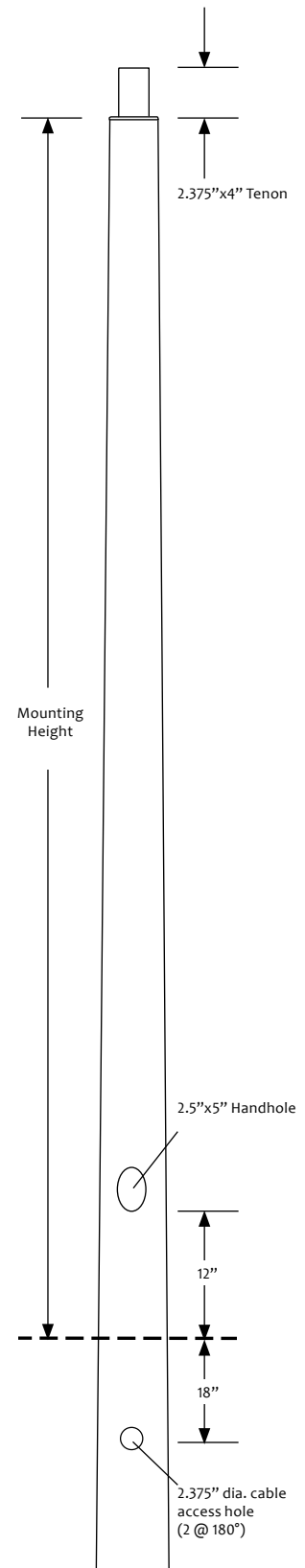
6.

POST TOP : Direct Burial

CMT Catalog Number	Nominal Mounting Height (ft.)	Shaft Length (ft.)	Weight of Pole (lb.)	Tip O.D. (in.)	Butt O.D. (in.)	Maximum EPA		
						80 MPH	100 MPH	120 MPH
50# Vertical Load								
TB13-B-50	10	13	24	3.00	5.80	6.0	4.0	3.3
TB16-B-50	13	16	38	3.00	4.55	6.0	4.3	3.3
TB20-B-50	16	20	45	3.00	7.27	6.0	3.5	3.3
TB24-B-50	20	24	67	3.00	8.18	6.0	3.5	3.3
200# Vertical Load								
TB24-D-200	20	24	88	4.41	9.59	8.5	6.0	6.0
TB30-D-200	25	30	106	4.41	10.80	7.5	5.0	5.0
TB35-D-200	30	35	147	4.41	11.97	8.0	4.5	4.5
TB40-D-200	35	40	170	4.41	12.93	7.5	4.5	4.5
TB46-F-200	40	46	226	5.12	15.04	9.0	5.0	5.0
TB50-F-200	44	50	259	5.12	15.75	8.6	4.3	4.3
300# Vertical Load								
TB35-F-300	30	35	160	5.12	12.68	10.5	6.3	6.3
TB40-F-300	35	40	201	5.12	13.64	10.5	6.3	6.3
TB46-F-300	40	46	250	5.12	15.04	10.5	6.0	6.0
TB50-F-300	44	50	303	5.12	15.75	10.5	5.2	5.2

For 140 MPH, see High Wind Speed section.

Don't see what you need? Call us. We can build it!



Maximum EPA is calculated using wind velocities shown with a 1.3 gust factor. Poles are available with other EPA specifications. Contact factory.

Total weight of fixture(s) and bracket(s) should not exceed vertical load shown above.

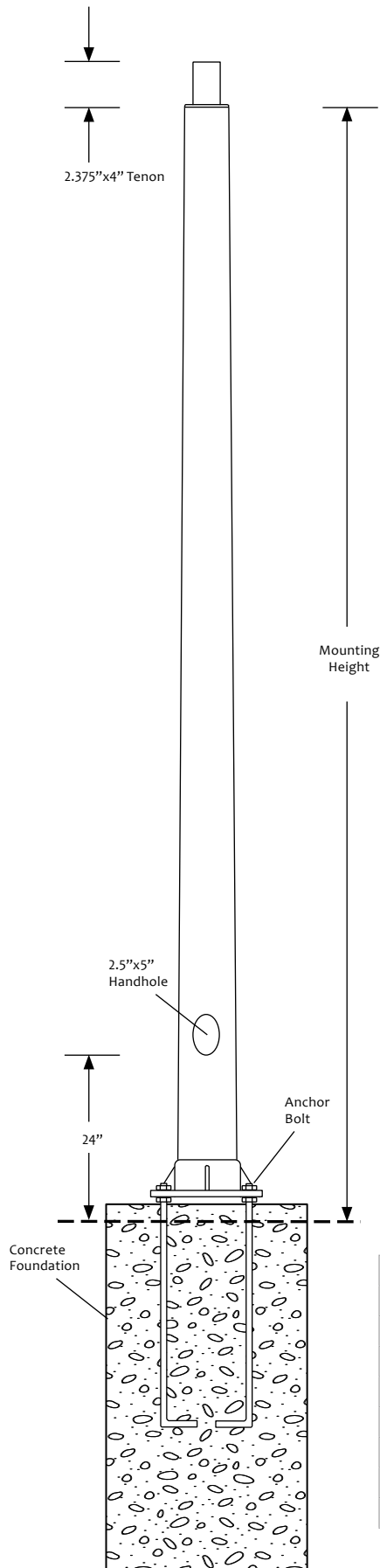
Standard features are as shown on drawing. Available optional features are listed in the order grid on Page 2, and in the Accessories pages.

Slip-fit tenon to be used only with 50# vertical load series.

Tenon-mounted side arm brackets should be used only in symmetrical double, triple, or quad arrangements. Available bullhorn brackets are listed in the Accessories section.

See the Breakaway Poles section for approved breakaway side-mount bracket poles.

Anchor Base : POST TOP



CMT Catalog Number	Nominal Mounting Height (ft.)	Shaft Length (ft.)	Weight of Pole (lb.)	Tip O.D. (in.)	Butt O.D. (in.)	Maximum EPA			Bolt Circle (in.)
						80 MPH	100 MPH	120 MPH	
50# Vertical Load									
TA10-B-50	10	10	37	3.00	5.20	6.5	4.0	2.0	8.625
TA16-B-50	16	16	61	3.00	6.46	6.5	4.0	3.3	8.625
TA20-B-50	20	20	84	3.00	7.27	6.5	4.0	3.3	10.500
200# Vertical Load									
TA20-D-200	20	20	108	4.41	8.68	8.5	6.0	6.0	11.875
TA25-D-200	25	25	134	4.41	9.81	7.5	5.0	5.0	13.500
TA30-D-200	30	30	180	4.41	10.79	8.0	4.5	4.5	15.250
TA35-D-200	35	35	210	4.41	11.97	7.5	4.5	4.5	15.250
TA40-D-200	40	40	250	4.41	12.91	9.0	5.0	5.0	16.000
TA45-D-200	45	45	326	4.41	14.13	8.6	4.3	4.3	17.000
300# Vertical Load									
TA30-F-300	30	30	193	5.12	11.50	10.5	6.3	6.3	15.250
TA35-F-300	35	35	279	5.12	12.68	10.5	6.3	6.3	16.000
TA40-F-300	40	40	302	5.12	13.62	10.5	6.3	6.3	17.000
TA45-F-300	45	45	374	5.12	14.84	10.5	6.0	6.0	17.000

For 140 MPH, see High Wind Speed section.

Don't see what you need? Call us. We can build it!

Bolt Circle (in.)	Bolt Size (in.)	Base Cover
8.625	0.5 x 15 x 4	BC1
10.5	0.625 x 21 x 4	BC2
11.875	0.75 x 30 x 4	BC3
13.500	1 x 36 x 4	BC4
15.250	1 x 36 x 4	BC5
16	1 x 36 x 4	BC6
17	1 x 36 x 4	BC7
18	1 x 36 x 4	BC8

Maximum EPA is calculated using wind velocities shown with a 1.3 gust factor. Poles are available with other EPA specifications. Contact factory. Total weight of fixture(s) and bracket(s) should not exceed vertical load shown above.

Standard features are as shown on drawing. Available optional features are listed in the order grid on Page 2, and in the Accessories pages.

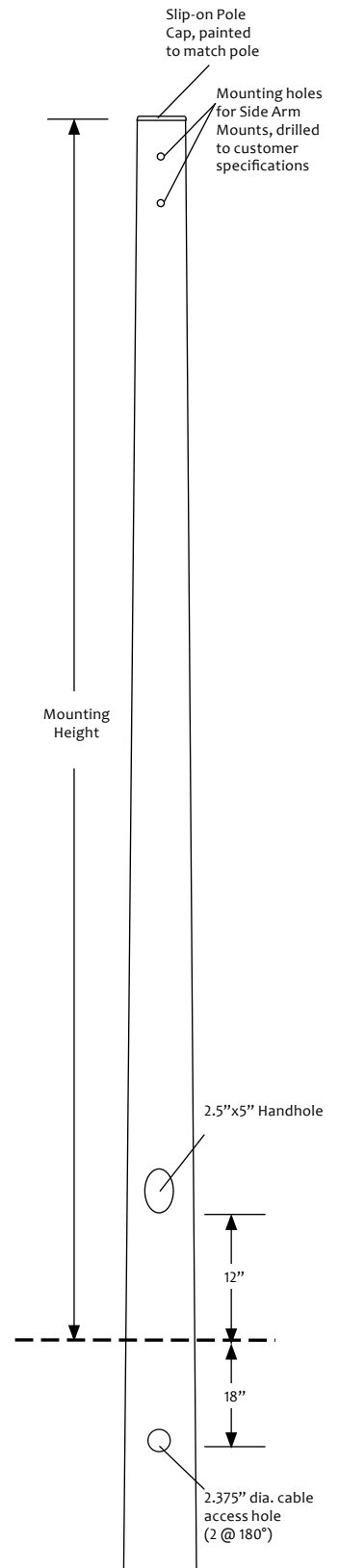
Supply drilling template with order

SIDE MOUNT : Direct Burial

CMT Catalog Number	Nominal Mounting Height (ft.)	Shaft Length (ft.)	Weight of Pole (lb.)	Tip O.D. (in.)	Butt O.D. (in.)	Maximum EPA		
						80 MPH	100 MPH	120 MPH
Single Arm, up to 50# Luminaire								
SB13-D-50	10	13	24	4.41	6.53	6.8	4.0	3.0
SB20-D-50	16	20	52	4.41	7.97	6.0	4.0	3.0
SB24-D-50	20	24	66	4.41	8.88	6.0	4.0	3.0
SB30-D-50	25	30	96	4.41	10.09	6.0	4.0	3.0
SB35-D-50	30	35	121	4.41	11.26	6.0	4.0	3.0
SB40-D-50	35	40	150	4.41	12.22	6.0	4.0	3.0
SB46-D-50	40	46	203	4.41	10.09	6.0	4.0	3.0
SB50-D-50	44	50	252	4.41	11.26	6.5	4.0	3.0
Double Arm (@ 180°), two Luminaires up to 50# each								
SB20-D-200	16	20	66	4.41	8.73	8.3	5.2	5.0
SB24-D-200	20	24	80	4.41	9.59	8.3	5.2	5.2
SB30-D-200	25	30	107	4.41	10.80	8.3	5.2	5.2
SB35-D-200	30	35	145	4.41	11.97	8.3	5.2	5.2
SB40-D-200	35	40	173	4.41	12.91	8.3	4.8	4.8
SB46-D-200	40	45	236	4.41	14.32	8.3	4.8	4.8
SB50-D-200	44	50	269	4.41	15.04	8.5	4.6	4.6

For 140 MPH, see High Wind Speed section.

Don't see what you need? Call us. We can build it!



Maximum EPA is calculated using wind velocities shown with a 1.3 gust factor. Poles are available with other EPA specifications. Contact factory.

Total weight of fixture(s) and bracket(s) should not exceed vertical load shown above.

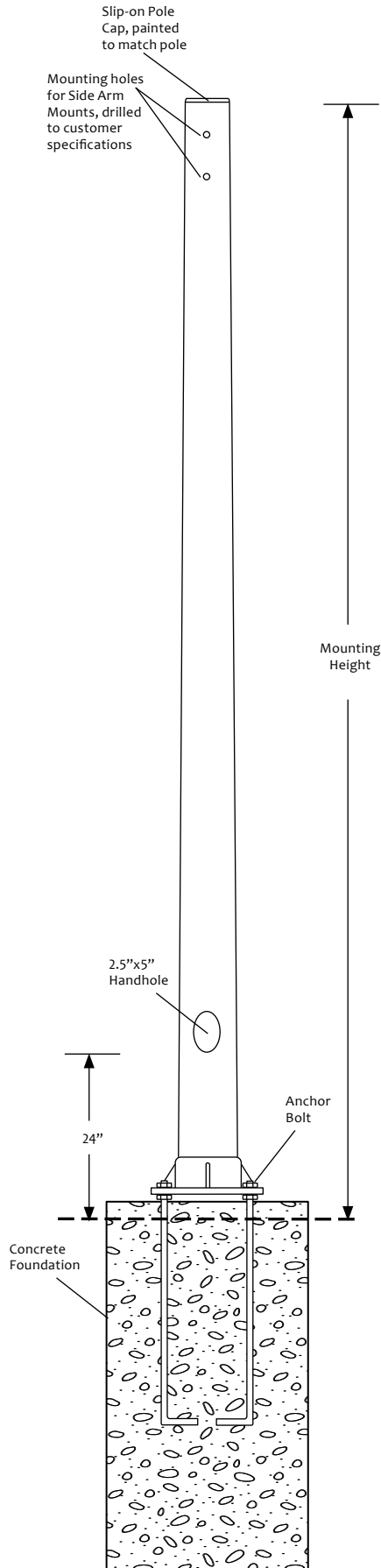
Standard features are as shown on drawing. Available optional features are listed in the order grid on Page 2, and in the Accessories pages.

Slip-fit tenon to be used only with 50# vertical load series.

Tenon-mounted side arm brackets should be used only in symmetrical double, triple, or quad arrangements. Available bullhorn brackets are listed in the Accessories section.

See the Breakaway Poles section for approved breakaway side-mount bracket poles.

Anchor Base : SIDE MOUNT



CMT Catalog Number	Nominal Mounting Height (ft.)	Shaft Length (ft.)	Weight of Pole (lb.)	Tip O.D. (in.)	Butt O.D. (in.)	Maximum EPA			Bolt Circle (in.)
						80 MPH	100 MPH	120 MPH	
Single Arm, up to 50# Luminaire									
SA10-D-50	10	10	38	4.41	5.89	6.8	4.0	3.5	8.625
SA16-D-50	16	16	71	4.41	7.16	6.8	4.0	3.5	10.500
SA20-D-50	20	20	83	4.41	7.97	6.8	4.0	3.5	10.500
SA25-D-50	25	25	115	4.41	9.10	6.8	4.0	3.5	11.875
SA30-D-50	30	30	145	4.41	10.08	6.8	4.0	3.5	13.500
SA35-D-50	35	35	196	4.41	11.26	6.8	4.0	3.5	15.250
SA40-D-50	40	40	241	4.41	12.20	6.8	4.0	3.5	16.000
SA45-D-50	45	45	313	4.41	14.13	7.0	4.0	3.5	17.000
Double Arm (@ 180°), two Luminaires up to 50# each									
SA16-D-200	16	16	74	4.41	7.87	8.3	5.2	5.2	10.500
SA20-D-200	20	20	100	4.41	8.68	8.3	5.2	5.2	11.875
SA25-D-200	25	25	134	4.41	9.81	8.3	5.2	5.2	13.500
SA30-D-200	30	30	161	4.41	10.79	8.3	5.2	5.2	15.250
SA35-D-200	35	35	261	4.41	12.91	8.3	4.8	4.8	16.000
SA40-D-200	40	40	261	4.41	12.91	8.5	4.6	4.6	17.000
SA45-D-200	45	45	334	4.41	14.13	8.5	4.6	4.6	17.000

For 140 MPH, see High Wind Speed section.

Don't see what you need? Call us. We can build it!

Bolt Circle (in.)	Bolt Size (in.)	Base Cover
8.625	0.5 x 15 x 4	BC1
10.5	0.625 x 21 x 4	BC2
11.875	0.75 x 30 x 4	BC3
13.500	1 x 36 x 4	BC4
15.250	1 x 36 x 4	BC5
16	1 x 36 x 4	BC6
17	1 x 36 x 4	BC7
18	1 x 36 x 4	BC8

Maximum EPA is calculated using wind velocities shown with a 1.3 gust factor. Poles are available with other EPA specifications. Contact factory. Total weight of fixture(s) and bracket(s) should not exceed vertical load shown above. Standard features are as shown on drawing. Available optional features are listed in the order grid on Page 2, and in the Accessories pages. Supply drilling template with order

MAST ARM : 4-FOOT or 6-FOOT : Direct Burial

CMT Catalog Number	Nominal Mounting Height (ft.)	Shaft Length (ft.)	Weight of Pole (lb.)	Tip O.D. (in.)	Butt O.D. (in.)	Maximum EPA		
						80 MPH	100 MPH	120 MPH
4' or 6' Single Mast Arm, up to 50# Luminaire								
MB23-D-50-S4	20	23	87	4.41	9.38	6.0	3.5	3.0
MB23-D-50-S6								
MB30-F-50-S4	25	30	115	5.12	11.51	6.5	3.5	3.0
MB30-F-50-S6								
MB33-F-50-S4	30	33	136	5.12	12.21	7.0	3.5	3.0
MB33-F-50-S6								
MB39-F-50-S4	35	39	176	5.12	13.63	6.5	3.5	3.0
MB39-F-50-S6								
MB45-F-50-S4	40	45	219	5.12	14.70	7.0	3.5	3.0
MB45-F-50-S6								
MB50-F-50-S4	45	50	254	5.12	15.92	7.0	3.5	3.0
MB50-F-50-S6								
4' or 6' Double Mast Arm (@180°), two 50# Luminaires								
MB23-F-50-D4	20	23	96	5.12	10.09	5.2	4.0	3.0
MB23-F-50-D6								
MB30-F-50-D4	25	30	141	5.12	11.60	5.5	4.0	3.0
MB30-F-50-D6								
MB33-F-50-D4	30	33	161	5.12	12.25	5.5	4.0	3.0
MB33-F-50-D6								
MB39-F-50-D4	35	39	225	5.12	13.54	5.7	4.0	3.0
MB39-F-50-D6								
MB45-F-50-D4	40	45	281	5.12	14.84	5.5	4.0	3.0
MB45-F-50-D6								
MB50-F-50-D4	45	50	382	5.12	15.92	5.6	4.0	3.0
MB50-F-50-D6								

For 140 MPH, see High Wind Speed section.

Don't see what you need? Call us. We can build it!

Maximum EPA is calculated using wind velocities shown with a 1.3 gust factor. Poles are available with other EPA specifications. Contact factory.

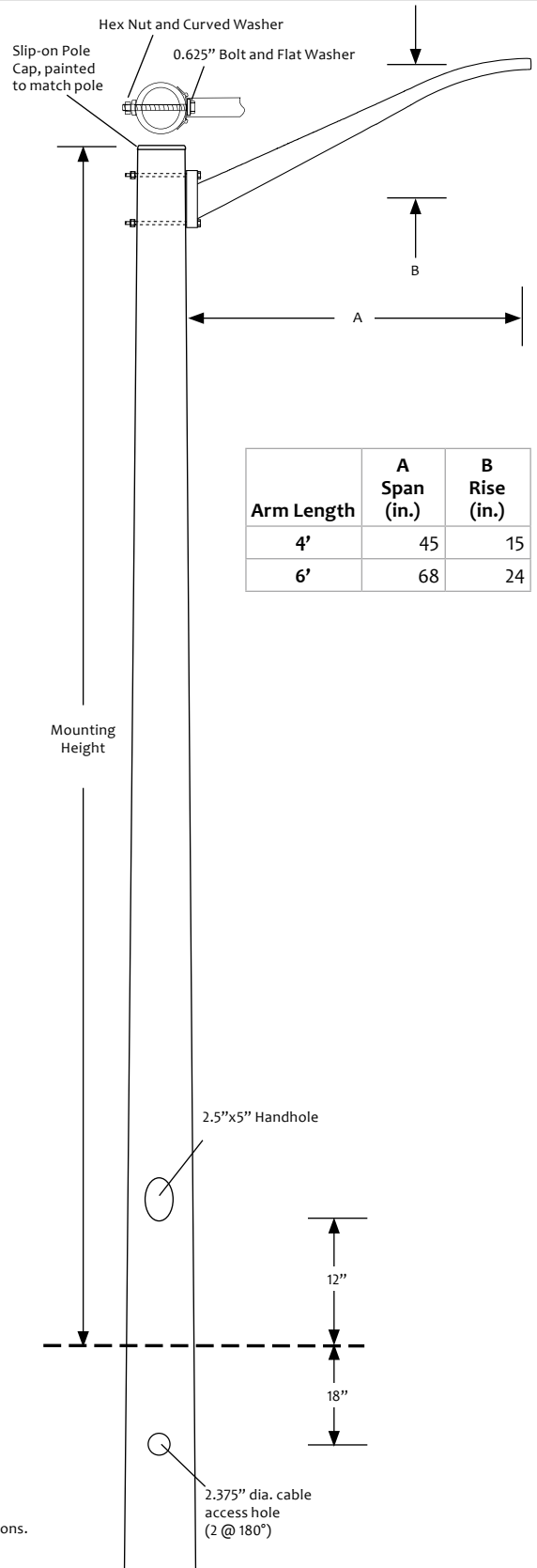
Total weight of fixture(s) and bracket(s) should not exceed vertical load shown above.

Standard features are as shown on drawing. Available optional features are listed in the order grid on Page 2, and in the Accessories pages.

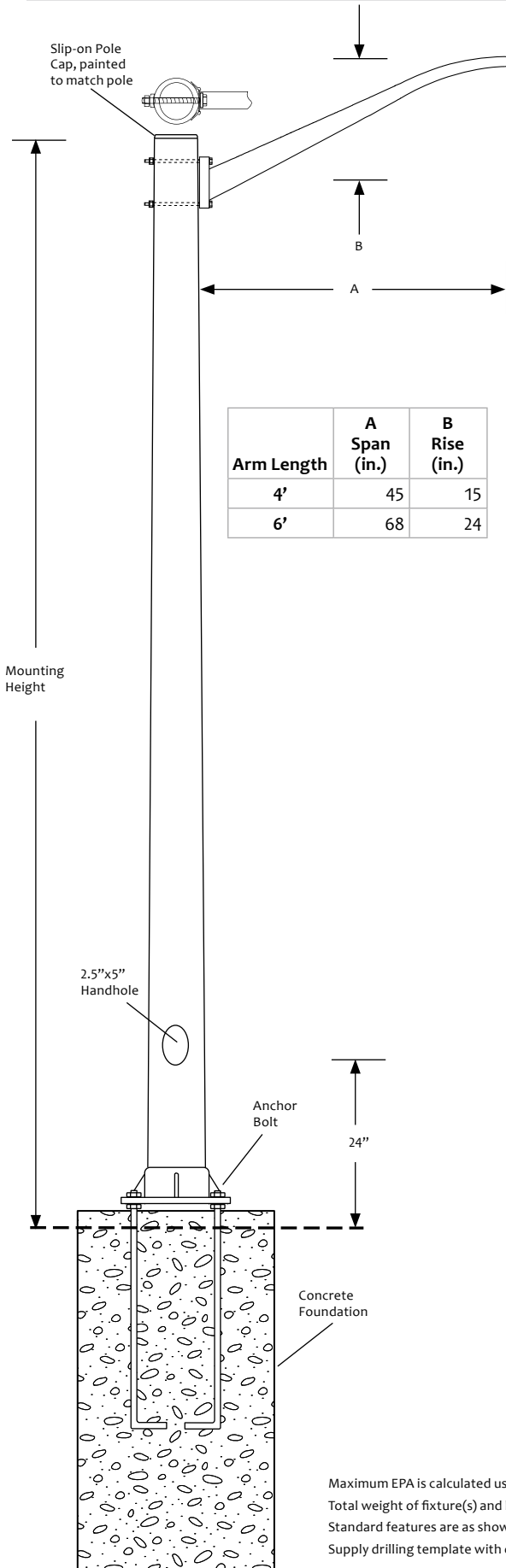
Slip-fit tenon to be used only with 50# vertical load series.

Tenon-mounted side arm brackets should be used only in symmetrical double, triple, or quad arrangements. Available bullhorn brackets are listed in the Accessories section.

See the Breakaway Poles section for approved breakaway side-mount bracket poles.



Anchor Base : 4-FOOT or 6-FOOT : MAST ARM



CMT Catalog Number	Nominal Mounting Height (ft.)	Shaft Length (ft.)	Weight of Pole (lb.)	Tip O.D. (in.)	Butt O.D. (in.)	Maximum EPA			Bolt Circle (in.)
						80 MPH	100 MPH	120 MPH	
4' or 6' Single Mast Arm, up to 50# Luminaire									
MA20-D-50-S4 MA20-D-50-S6	20	20	112	4.41	8.68	6.0	3.5	3.0	11.875
MA25-F-50-S4 MA25-F-50-S6	25	25	141	5.12	10.43	6.5	3.5	3.0	13.500
MA28-F-50-S4 MA28-F-50-S6	30	28	154	5.12	11.13	7.0	3.5	3.0	13.500
MA35-F-50-S4 MA35-F-50-S6	36	35	226	5.12	12.55	6.5	3.5	3.0	16.000
MA39-F-50-S4 MA39-F-50-S6	40	39	274	5.12	13.40	7.0	3.5	3.0	17.000
MA44-F-50-S4 MA44-F-50-S6	45	44	317	5.12	14.45	7.0	3.5	3.0	17.000
4' or 6' Double Mast Arm (@180°), two 50# Luminaires									
MA20-F-50-D4 MA20-F-50-D6	20	20	121	5.12	9.39	4.0	3.0	3.0	11.875
MA25-F-50-D4 MA25-F-50-D6	25	25	159	5.12	10.32	4.0	3.0	3.0	13.500
MA28-F-50-D4 MA28-F-50-D6	30	28	196	5.12	11.84	4.0	3.0	3.0	15.250
MA35-F-50-D4 MA35-F-50-D6	36	35	275	5.12	12.68	4.0	3.0	3.0	16.000
MA39-F-50-D4 MA39-F-50-D6	40	39	332	5.12	13.54	4.0	3.0	3.0	17.000
MA44-F-50-D4 MA44-F-50-D6	45	44	411	5.12	14.62	4.0	3.0	3.0	17.000

For 140 MPH, see High Wind Speed section.

Don't see what you need? Call us. We can build it!

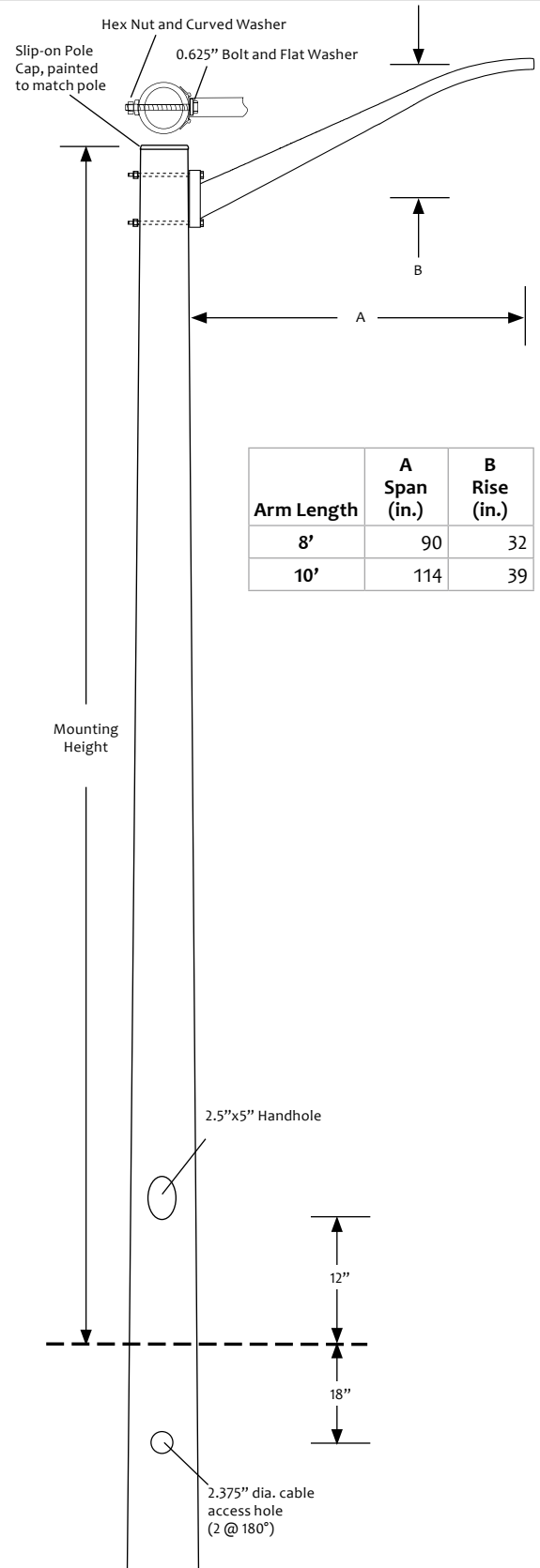
Bolt Circle (in.)	Bolt Size (in.)	Base Cover
8.625	0.5 x 15 x 4	BC1
10.5	0.625 x 21 x 4	BC2
11.875	0.75 x 30 x 4	BC3
13.500	1 x 36 x 4	BC4
15.250	1 x 36 x 4	BC5
16	1 x 36 x 4	BC6
17	1 x 36 x 4	BC7
18	1 x 36 x 4	BC8

Maximum EPA is calculated using wind velocities shown with a 1.3 gust factor. Poles are available with other EPA specifications. Contact factory. Total weight of fixture(s) and bracket(s) should not exceed vertical load shown above. Standard features are as shown on drawing. Available optional features are listed in the order grid on Page 2, and in the Accessories pages. Supply drilling template with order

MAST ARM : 8-FOOT or 10-FOOT : Direct Burial

CMT Catalog Number	Nominal Mounting Height (ft.)	Shaft Length (ft.)	Weight of Pole (lb.)	Tip O.D. (in.)	Butt O.D. (in.)	Maximum EPA		
						80 MPH	100 MPH	120 MPH
8' or 10' Single Mast Arm, up to 50# Luminaire								
MB22-K-50-S8 MB22-K-50-S10	20	22	92	6.54	11.18	10.0	7.5	5.0
MB28-K-50-S8 MB28-K-50-S10	25	28	121	6.54	12.48	10.0	7.5	5.0
MB33-K-50-S8 MB33-K-50-S10	30	33	162	6.54	13.62	10.0	7.5	5.0
MB38-K-50-S8 MB38-K-50-S10	35	38	200	6.54	14.64	10.0	7.5	5.0
MB43-K-50-S8 MB43-K-50-S10	40	43	239	6.54	15.75	9.0	7.5	5.0
MB49-F-50-S8 MB49-F-50-S10	45	49	358	6.54	17.10	10.0	7.5	5.0
8' or 10' Double Mast Arm (@180°), two 50# Luminaires								
MB22-K-50-D8 MB22-K-50-D10	20	22	116	6.54	11.18	7.0	5.0	3.5
MB28-K-50-D8 MB28-K-50-D10	25	28	163	6.54	12.48	6.5	5.0	3.5
MB33-K-50-D8 MB33-K-50-D10	30	33	207	6.54	13.62	7.0	5.0	3.5
MB38-K-50-D8 MB38-K-50-D10	35	38	268	6.54	14.64	7.0	5.0	3.5
MB43-K-50-D8 MB43-K-50-D10	40	43	331	6.54	15.75	7.0	5.0	3.5
MB46-K-50-D8 MB46-K-50-D10	43	46	369	6.54	16.48	6.0	5.0	3.5

For 140 MPH, see High Wind Speed section.



Don't see what you need? Call us. We can build it!

Maximum EPA is calculated using wind velocities shown with a 1.3 gust factor. Poles are available with other EPA specifications. Contact factory.

Total weight of fixture(s) and bracket(s) should not exceed vertical load shown above.

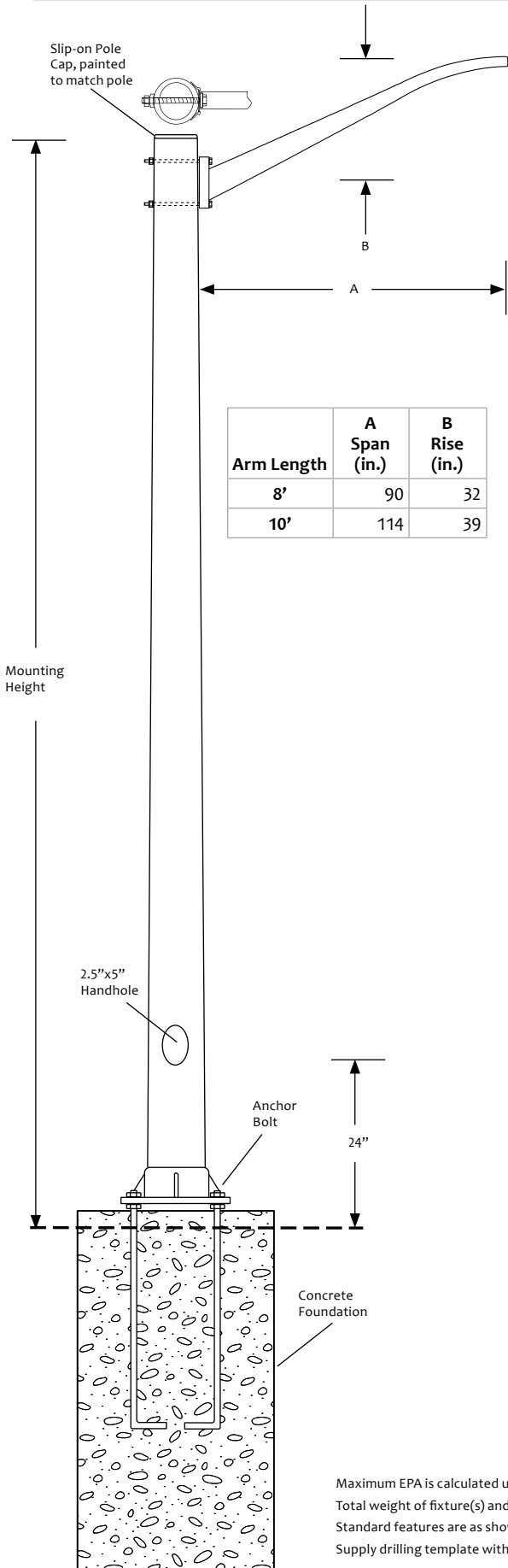
Standard features are as shown on drawing. Available optional features are listed in the order grid on Page 2, and in the Accessories pages.

Slip-fit tenon to be used only with 50# vertical load series.

Tenon-mounted side arm brackets should be used only in symmetrical double, triple, or quad arrangements. Available bullhorn brackets are listed in the Accessories section.

See the Breakaway Poles section for approved breakaway side-mount bracket poles.

Anchor Base : 8-FOOT or 10-FOOT : MAST ARM



Arm Length	A Span (in.)	B Rise (in.)
8'	90	32
10'	114	39

CMT Catalog Number	Nominal Mounting Height (ft.)	Shaft Length (ft.)	Weight of Pole (lb.)	Tip O.D. (in.)	Butt O.D. (in.)	Maximum EPA			Bolt Circle (in.)
						80 MPH	100 MPH	120 MPH	
8' or 10' Single Mast Arm, up to 50# Luminaire									
MA18-K-50-S8 MA18-K-50-S10	20	18	121	6.54	10.32	10.5	7.0	5.0	13.500
MA23-K-50-S8 MA23-K-50-S10	25	23	162	6.54	11.40	10.5	7.0	5.0	15.250
MA28-K-50-S8 MA28-K-50-S10	30	28	201	6.54	12.54	10.5	7.0	5.0	15.250
MA33-K-50-S8 MA33-K-50-S10	35	33	263	6.54	13.62	9.5	7.0	5.0	17.000
MA37-K-50-S8 MA37-K-50-S10	40	37	304	6.54	14.59	9.5	7.0	5.0	17.000
MA43-K-50-S8 MA43-K-50-S10	45	43	382	6.54	15.75	11.0	7.0	5.0	18.000
8' or 10' Double Mast Arm (@180°), two 50# Luminaires									
MA18-K-50-D8 MA18-K-50-D10	20	18	137	6.54	10.32	7.5	5.0	3.0	13.500
MA23-K-50-D8 MA23-K-50-D10	25	23	189	6.54	11.40	7.5	5.0	3.0	15.250
MA28-K-50-D8 MA28-K-50-D10	30	28	241	6.54	12.54	7.5	5.0	3.0	15.250
MA33-K-50-D8 MA33-K-50-D10	35	33	322	6.54	13.62	7.5	5.0	3.0	17.000
MA37-K-50-D8 MA37-K-50-D10	40	37	383	6.54	14.59	7.5	5.0	3.0	17.000
MA43-K-50-D8 MA43-K-50-D10	45	43	440	6.54	15.75	7.5	5.0	3.0	18.000

For 140 MPH, see High Wind Speed section.

Don't see what you need? Call us. We can build it!

Bolt Circle (in.)	Bolt Size (in.)	Base Cover
8.625	0.5 x 15 x 4	BC1
10.5	0.625 x 21 x 4	BC2
11.875	0.75 x 30 x 4	BC3
13.500	1 x 36 x 4	BC4
15.250	1 x 36 x 4	BC5
16	1 x 36 x 4	BC6
17	1 x 36 x 4	BC7
18	1 x 36 x 4	BC8

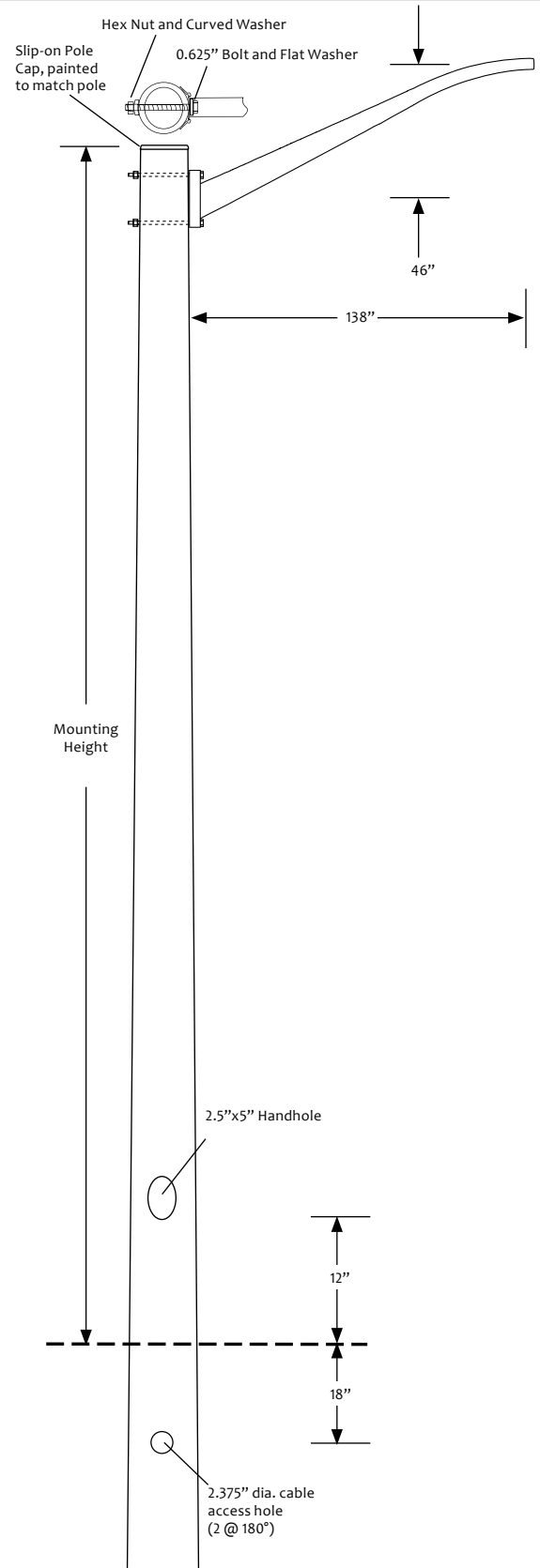
Maximum EPA is calculated using wind velocities shown with a 1.3 gust factor. Poles are available with other EPA specifications. Contact factory. Total weight of fixture(s) and bracket(s) should not exceed vertical load shown above. Standard features are as shown on drawing. Available optional features are listed in the order grid on Page 2, and in the Accessories pages. Supply drilling template with order

MAST ARM : 12 FOOT : Direct Burial

CMT Catalog Number	Nominal Mounting Height (ft.)	Shaft Length (ft.)	Weight of Pole (lb.)	Tip O.D. (in.)	Butt O.D. (in.)	Maximum EPA		
						80 MPH	100 MPH	120 MPH
						12' Single Mast Arm, up to 50# Luminaire		
MB21-K-50-S12	20	21	88	6.54	11.02	9.0	7.0	3.0
MB26-K-50-S12	25	26	121	6.54	12.21	10.0	7.0	3.0
MB32-K-50-S12	30	32	170	6.54	13.40	12.0	7.0	3.0
MB36-K-50-S12	35	36	201	6.54	14.34	9.5	7.0	3.0
MB43-K-50-S12	40	43	263	6.54	15.75	10.5	7.0	3.0
MB46-K-50-S12	44	46	331	6.54	15.75	10.5	7.0	3.0
10' Double Mast Arm (@180°), two 50# Luminaires								
MB21-K-50-D12	20	21	117	6.54	11.02	7.0	5.0	3.0
MB26-K-50-D12	25	26	166	6.54	12.21	7.0	5.0	3.0
MB32-K-50-D12	30	32	221	6.54	13.40	7.0	5.0	3.0
MB36-K-50-D12	35	36	270	6.54	14.34	7.0	5.0	3.0
MB43-K-50-D12	40	43	340	6.54	15.75	7.0	5.0	3.0

For 140 MPH, see High Wind Speed section.

Don't see what you need? Call us. We can build it!



Maximum EPA is calculated using wind velocities shown with a 1.3 gust factor. Poles are available with other EPA specifications. Contact factory.

Total weight of fixture(s) and bracket(s) should not exceed vertical load shown above.

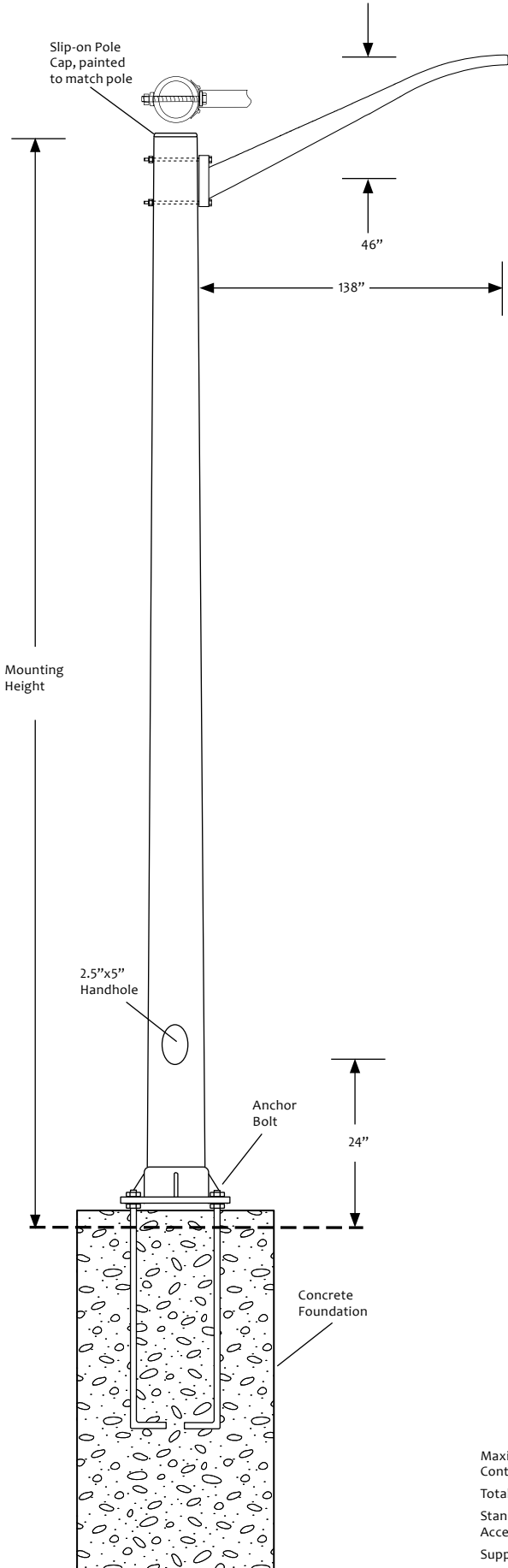
Standard features are as shown on drawing. Available optional features are listed in the order grid on Page 2, and in the Accessories pages.

Slip-fit tenon to be used only with 50# vertical load series.

Tenon-mounted side arm brackets should be used only in symmetrical double, triple, or quad arrangements. Available bullhorn brackets are listed in the Accessories section.

See the Breakaway Poles section for approved breakaway side-mount bracket poles.

Anchor Base : 12 FOOT : MAST ARM



CMT Catalog Number	Nominal Mounting Height (ft.)	Shaft Length (ft.)	Weight of Pole (lb.)	Tip O.D. (in.)	Butt O.D. (in.)	Maximum EPA			Bolt Circle (in.)
						80 MPH	100 MPH	120 MPH	
12' Single Mast Arm, up to 50# Luminaire									
MA16-K-50-S12	20	16	116	6.54	10.08	9.0	7.0	5.0	13.500
MA21-K-50-S12	25	21	153	6.54	11.13	10.0	7.0	5.0	13.500
MA26-K-50-S12	30	26	201	6.54	12.21	10.0	7.0	5.0	15.250
MA32-K-50-S12	35	32	258	6.54	13.34	10.0	7.0	5.0	16.000
MA36-K-50-S12	40	36	320	6.54	14.34	10.0	7.0	5.0	17.000
MA40-K-50-S12	44	40	357	6.54	15.04	10.0	7.0	5.0	18.000
12' Double Mast Arm (@180°), two 50# Luminaires									
MA16-K-50-D12	20	16	137	6.54	10.08	7.0	5.0	3.0	13.500
MA21-K-50-D12	25	21	182	6.54	11.13	7.0	5.0	3.0	13.500
MA26-K-50-D12	30	26	236	6.54	12.21	7.0	5.0	3.0	15.250
MA32-K-50-D12	35	32	308	6.54	13.34	7.0	5.0	3.0	16.000
MA36-K-50-D12	40	36	379	6.54	14.34	7.0	5.0	3.0	17.000
MA40-K-50-D12	44	40	428	6.54	15.04	7.0	5.0	3.0	18.000

For 140 MPH, see High Wind Speed section.

Don't see what you need? Call us. We can build it!

Bolt Circle (in.)	Bolt Size (in.)	Base Cover
8.625	0.5 x 15 x 4	BC1
10.5	0.625 x 21 x 4	BC2
11.875	0.75 x 30 x 4	BC3
13.500	1 x 36 x 4	BC4
15.250	1 x 36 x 4	BC5
16	1 x 36 x 4	BC6
17	1 x 36 x 4	BC7
18	1 x 36 x 4	BC8

Maximum EPA is calculated using wind velocities shown with a 1.3 gust factor. Poles are available with other EPA specifications. Contact factory.

Total weight of fixture(s) and bracket(s) should not exceed vertical load shown above.

Standard features are as shown on drawing. Available optional features are listed in the order grid on Page 2, and in the Accessories pages.

Supply drilling template with order

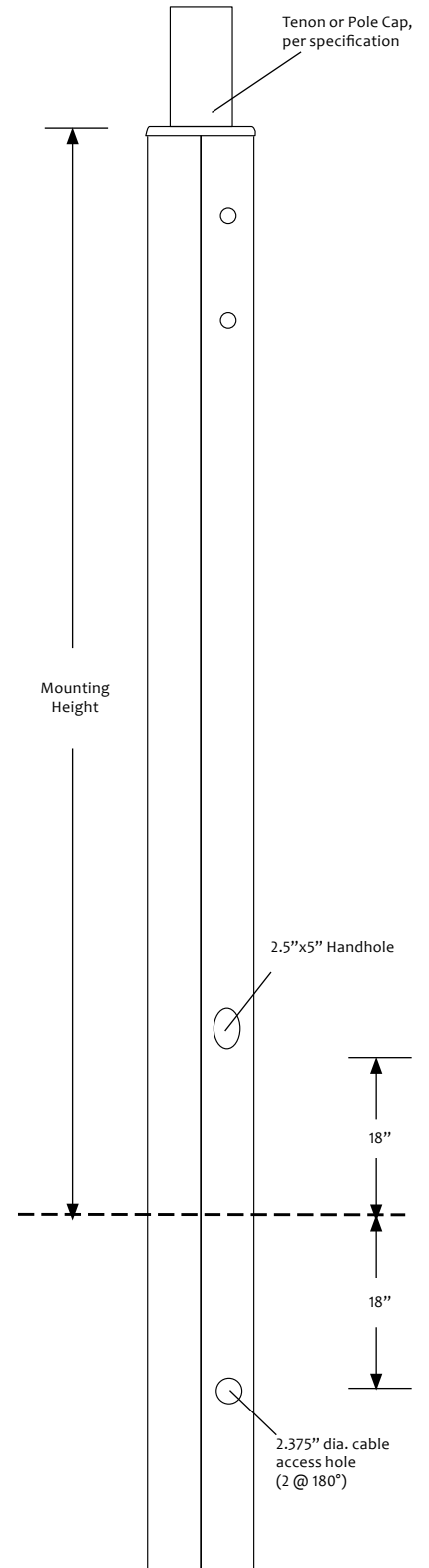
STRAIGHT SQUARE POLES : Direct Burial

CMT Catalog Number	Nominal Mounting Height (ft.)	Shaft Length (ft.)	Weight of Pole (lb.)	Cross Section (in.)	Maximum EPA		
					80 MPH	100 MPH	120 MPH
4" x 4" Poles							
ZB10-4	10	13	37	4x4	20.0	20.0	13.8
ZB16-4	16	20	57	4x4	11.9	6.5	3.7
ZB20-4	20	24	68	4x4	8.0	4.2	1.6

5" x 5" Poles							
ZB10-5	10	13	64	5x5	61.0	38.0	25.0
ZB16-5	16	20	99	5x5	31.0	18.0	11.0
ZB20-5	20	24	119	5x5	22.0	12.0	7.5
ZB25-5	25	30	149	5x5	16.0	8.0	4.0
ZB30-5	30	35	173	5x5	8.6	2.6	--

For 140 MPH, see High Wind Speed section.

Don't see what you need? Call us. We can build it!



All EPA recommendations are based on poles with handholes, and allowing for a 30% gust factor for all wind ratings.

Add 10 lbs. to pole weights for tenon option.

Cross sectional dimensions are nominal.

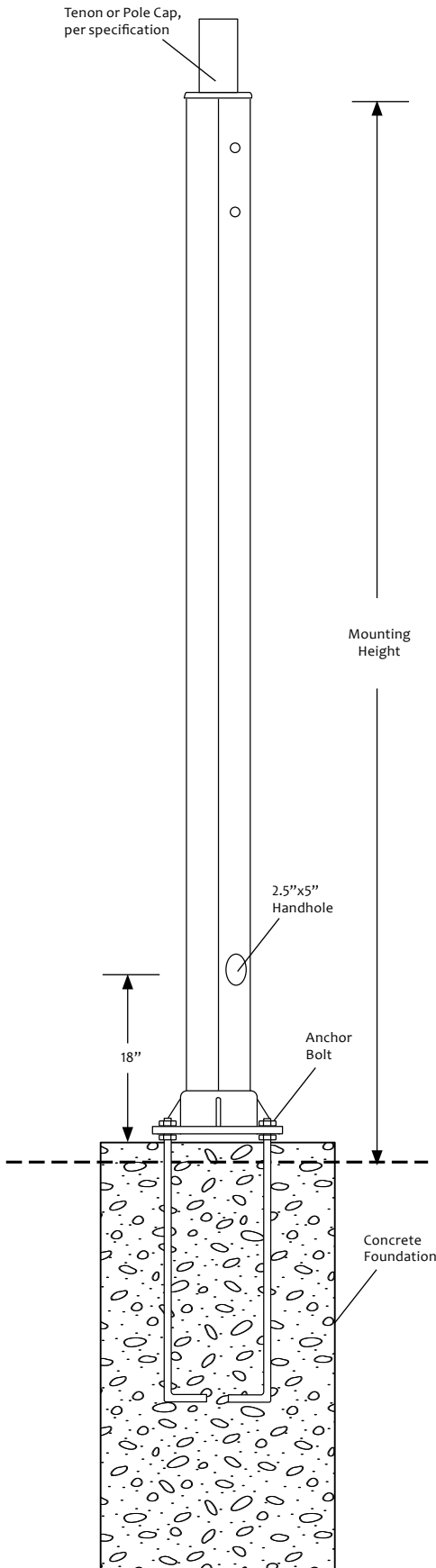
Supply drilling template with order.

Add "T238" or "T300" to above Catalog Numbers for 2.275" or 3.000" tenons, respectively.

Color options for CMT Straight Square poles:

- 1 - Light Grey
- 2 - Dark Bronze
- 3 - Black
- 4 - White
- 0 - Other

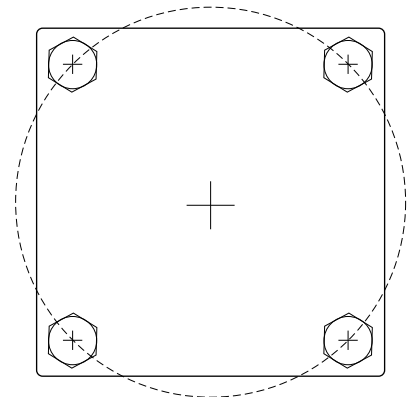
Anchor Base : STRAIGHT SQUARE POLES



CMT Catalog Number	Nominal Mounting Height (ft.)	Shaft Length (ft.)	Weight of Pole (lb.)	Cross Section (in.)	Maximum EPA			Bolt Circle (in.)
					80 MPH	100 MPH	120 MPH	
4" x 4" Poles								
ZA10-4	10	10	51	4x4	20.0	16.1	10.5	8.000
ZA16-4	16	16	68	4x4	11.9	6.5	3.7	8.000
ZA20-4	20	20	79	4x4	8.3	4.0	1.6	8.000

5" x 5" Poles								
ZA10-5	10	10	76	5x5	61.5	38.0	26.0	11.000
ZA16-5	16	16	105	5x5	31.0	17.0	12.0	11.000
ZA20-5	20	20	127	5x5	22.3	12.6	7.4	11.000
ZA25-5	25	25	150	5x5	15.9	8.1	3.9	11.000
ZA30-5	30	30	175	5x5	8.6	2.6	--	11.000

For 140 MPH, see High Wind Speed section.



Don't see what you need? Call us. We can build it!

Anchor Base: Cast A356-T6 aluminum, coated to match pole color

All EPA recommendations are based on poles with handholes, and allowing for a 30% gust factor for all wind ratings.

Add 10 lbs. to pole weights for tenon option.

Cross sectional dimensions are nominal.

Supply drilling template with order.

Add "T238" or "T300" to above Catalog Numbers for 2.275" or 3.000" tenons, respectively.

0.75" bolts are standard for 4" square poles; 1" bolts are standard for 5" square poles.

Color options for CMT Straight Square poles:

- 1 - Light Grey
- 2 - Dark Bronze
- 3 - Black
- 4 - White
- 0 - Other

Base Covers and Anchor Bolts are optional, as follows:

Base Covers: Add "ZBC4" or "ZBC5" for 4x4 or 5x5 poles, respectively.

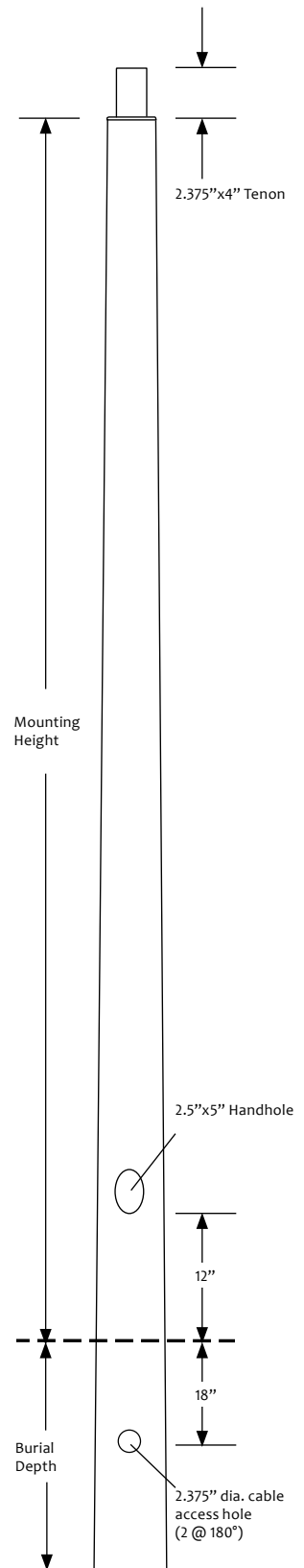
Anchor Bolts: Add "ZABG4" or "ZABG5" for 4x4 or 5x5 poles, respectively.

AASHTO BREAKAWAY POLES : Direct Burial : Post Top

CMT Catalog Number	Nominal Mounting Height (ft.)	Shaft Length (ft.)	Weight of Pole (lb.)	Tip O.D. (in.)	Butt O.D. (in.)	Maximum EPA		
						80 MPH	100 MPH	120 MPH
50# Vertical Load								
TB13-B-50-85BK	10	13	24	3.00	5.84	6.0	4.0	3.3
TB20-B-50-85BK	16	20	53	3.00	7.27	6.0	3.5	3.3
TB24-B-50-85BK	20	24	67	3.00	8.18	6.0	3.5	3.3
200# Vertical Load								
TB24-D-200-85BK	20	24	88	4.41	9.59	8.5	6.0	6.0
TB30-D-200-85BK	25	30	106	4.41	10.80	7.5	5.0	5.0
TB35-D-200-85BK	30	35	147	4.41	11.97	8.0	4.5	4.5
TB40-D-200-85BK	35	40	170	4.41	12.93	7.5	4.5	4.5
300# Vertical Load								
TB35-F-300-85BK	30	35	160	5.12	12.68	10.5	6.3	6.3

For 140 MPH, see High Wind Speed section.

Don't see what you need? Call us. We can build it!



Maximum EPA is calculated using wind velocities shown with a 1.3 gust factor. Poles are available with other EPA specifications. Contact factory.

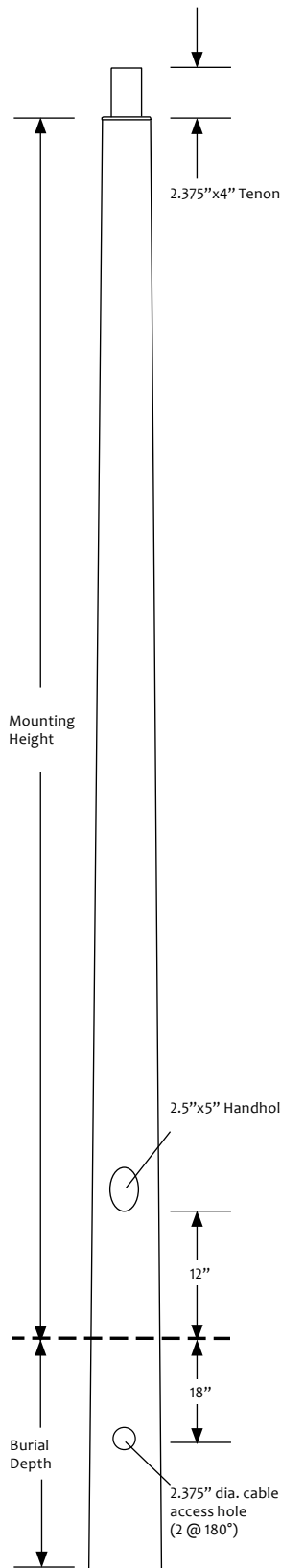
Total weight of fixture(s) and bracket(s) should not exceed vertical load shown above.

Standard features are as shown on drawing. Available optional features are listed in the order grid on Page 2, and in the Accessories pages.

Slip-fit tenon to be used only with 50# vertical load series.

Tenon-mounted side arm brackets should be used only in symmetrical double, triple, or quad arrangements. Available bullhorn brackets are listed in the Accessories section.

Side Mount : Direct Burial : AASHTO BREAKAWAY POLES



CMT Catalog Number	Nominal Mounting Height (ft.)	Shaft Length (ft.)	Weight of Pole (lb.)	Tip O.D. (in.)	Butt O.D. (in.)	Maximum EPA		
						80 MPH	100 MPH	120 MPH
Single Arm, 50# Luminaire								
SB13-D-50-85BK	10	13	24	4.41	7.22	6.8	4.0	3.0
SB20-D-50-85BK	16	20	52	4.41	8.68	6.0	4.0	3.0
SB24-D-50-85BK	20	24	66	4.41	9.59	6.0	4.0	3.0
Double Arm (@180°), two 55# Luminaires								
SB20-D-200-85BK	16	20	56	4.41	8.68	8.3	5.2	5.2
SB24-D-200-85BK	20	24	80	4.41	9.59	8.3	5.2	5.2
SB30-D-200-85BK	25	30	107	4.41	10.80	8.3	5.2	5.2
SB35-D-200-85BK	30	35	145	4.41	11.97	8.3	5.2	5.2
SB40-D-200-85BK	35	40	173	4.41	12.91	8.3	4.8	4.8

For 140 MPH, see High Wind Speed section.

Don't see what you need? Call us. We can build it!

Maximum EPA is calculated using wind velocities shown with a 1.3 gust factor. Poles are available with other EPA specifications. Contact factory.

Total weight of fixture(s) and bracket(s) should not exceed vertical load shown above.

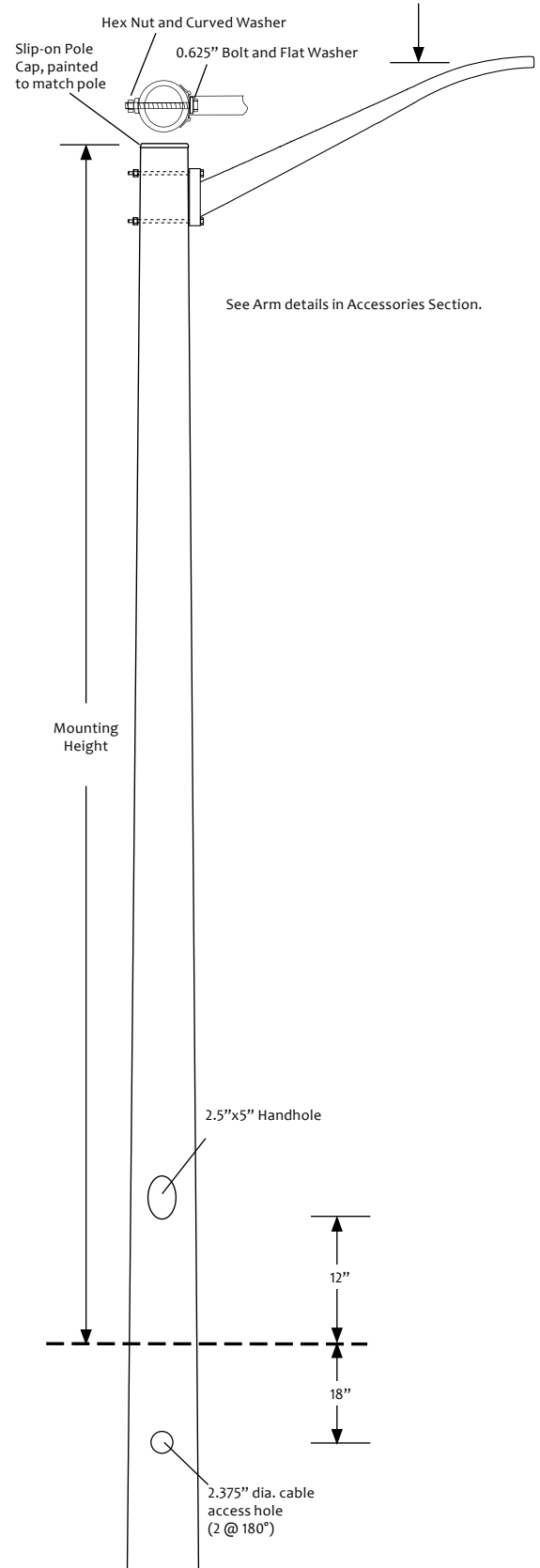
Standard features are as shown on drawing. Available optional features are listed in the order grid on Page 2, and in the Accessories pages.

Slip-fit tenon to be used only with 50# vertical load series.

Tenon-mounted side arm brackets should be used only in symmetrical double, triple, or quad arrangements. Available bullhorn brackets are listed in the Accessories section.

AASHTO BREAKAWAY POLES : MAST ARM : Direct Burial

CMT Catalog Number	Nominal Mounting Height (ft.)	Shaft Length (ft.)	Weight of Pole (lb.)	Tip O.D. (in.)	Butt O.D. (in.)	Maximum EPA		
						80 MPH	100 MPH	120 MPH
4' Single Mast Arm, 50# Luminaire								
MB23-D-50-S4	20	23	63	4.41	9.38	6.5	3.5	3.0
MB30-D-50-S4	25	30	95	4.41	10.80	6.5	3.5	3.0
MB35-D-50-S4	30	35	123	4.41	11.86	6.5	3.5	3.0
MB39-F-50-S4	35	39	167	5.12	13.63	6.5	3.5	3.0
4' Double Mast Arm (@180°), 50# Luminaire								
MB23-D-50-D4	20	23	85	4.41	9.38	5.5	4.0	3.0
MB30-F-50-D4	25	30	117	5.12	11.51	5.5	4.0	3.0
MB35-K-50-D4	30	35	158	6.54	12.68	5.5	4.0	3.0
MB39-K-50-D4	35	39	185	6.54	13.54	5.5	4.0	3.0
6' Single Mast Arm, 50# Luminaire								
MB23-D-50-S6	20	23	87	4.41	9.38	6.0	3.5	3.0
MB30-F-50-S6	26	30	115	5.12	11.51	6.5	3.5	3.0
MB33-F-50-S6	30	33	136	5.12	12.21	6.5	3.5	3.0
MB39-F-50-S6	36	39	176	5.12	13.63	6.5	3.5	3.0
6' Double Mast Arm (@180°), 50# Luminaire								
MB23-F-50-D6	20	23	96	5.12	10.09	5.2	4.0	3.0
MB30-F-50-D6	26	30	141	5.12	11.51	5.5	4.0	3.0
MB33-F-50-D6	30	33	161	5.12	12.21	5.5	4.0	3.0
8' Single Mast Arm, 50# Luminaire								
MB22-K-50-S8	20	22	90	6.54	10.58	9.0	7.5	5.0
MB28-K-50-S8	25	28	123	6.54	12.59	12.0	7.5	5.0
MB33-K-50-S8	30	33	161	6.54	13.62	12.0	7.5	5.0
8' Double Mast Arm (@180°), 50# Luminaire								
MB22-K-50-D8	20	22	100	6.54	11.29	7.0	5.0	3.5
MB28-K-50-D8	25	28	144	6.54	12.59	6.5	5.0	3.5
10' Single Mast Arm, 50# Luminaire								
MB22-K-50-S10	20	22	92	6.54	11.18	10.0	6.0	3.0
MB28-K-50-S10	25	28	121	6.54	12.48	10.0	6.0	3.0
MB33-K-50-S10	30	33	162	6.54	13.62	10.0	6.0	3.0
10' Double Mast Arm (@180°), 50# Luminaire								
MB22-K-50-D10	20	22	116	6.54	11.18	7.0	5.0	3.5
12' Single Mast Arm, 50# Luminaire								
MB21-K-50-S12	20	21	88	6.54	11.02	9.0	5.0	3.0
MB26-K-50-S12	25	26	121	6.54	12.21	10.0	5.0	3.0
MB32-K-50-S12	30	32	170	6.54	13.40	12.0	5.0	3.0
MB36-K-50-S12	35	36	201	6.54	14.34	9.5	5.0	3.0
12' Double Mast Arm (@180°), 50# Luminaire								
MB21-K-50-D12	20	21	117	6.54	11.02	7.5	5.0	3.0



Maximum EPA is calculated using wind velocities shown with a 1.3 gust factor. Poles are available with other EPA specifications. Contact factory.

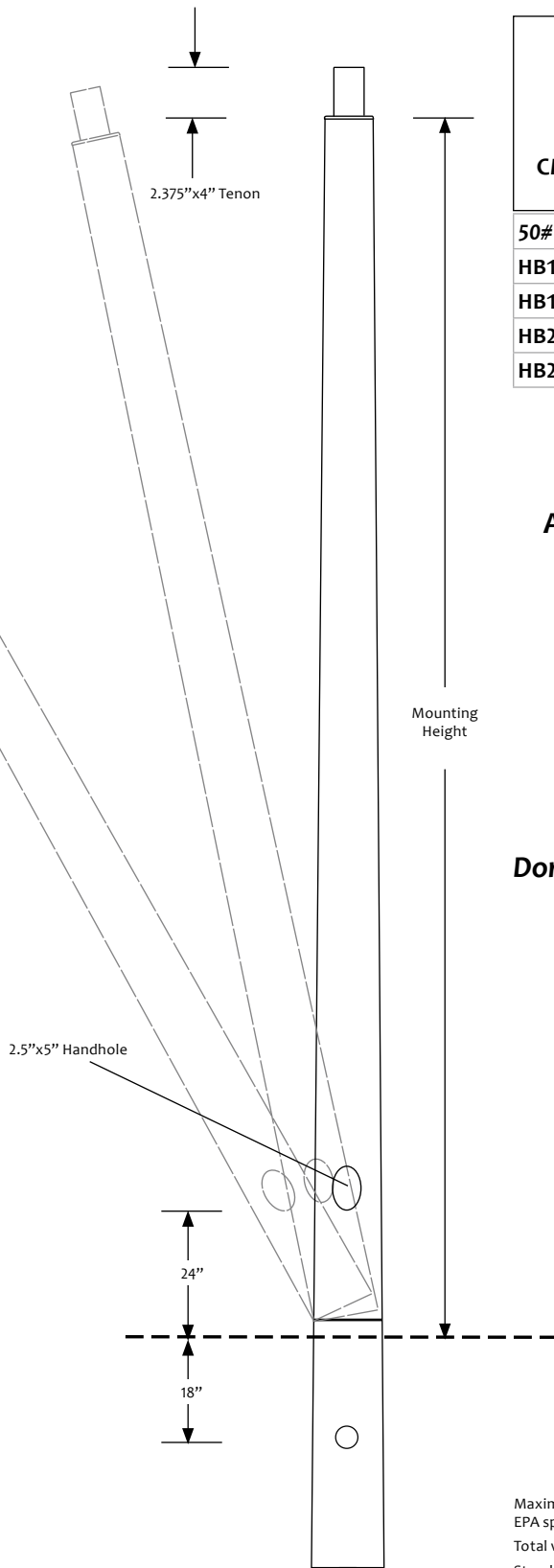
Total weight of fixture(s) and bracket(s) should not exceed vertical load shown above.

Standard features are as shown on drawing. Available optional features are listed in the order grid on Page 2, and in the Accessories pages.

Slip-fit tenon to be used only with 50# vertical load series.

Tenon-mounted side arm brackets should be used only in symmetrical double, triple, or quad arrangements. Available bullhorn brackets are listed in the Accessories section.

HINGED POLES : Direct Burial



CMT Catalog Number	Nominal Mounting Height (ft.)	Shaft Length (ft.)	Weight of Pole (lb.)	Tip O.D. (in.)	Butt O.D. (in.)	Maximum EPA		
						80 MPH	100 MPH	120 MPH
50# Vertical Load								
HB13-B-50	10	13	60	3.00	5.84	6.0	4.0	3.3
HB16-B-50	14	16	76	3.00	6.56	6.0	4.0	3.3
HB20-B-50	16	20	90	3.00	7.27	6.0	4.0	3.3
HB24-B-50	20	24	127	3.00	8.18	6.0	4.0	3.3

Anchor Base Hinged Poles up to 30' are available per individual request.

Don't see what you need? Call us. We can build it!

Maximum EPA is calculated using wind velocities shown with a 1.3 gust factor. Poles are available with other EPA specifications. Contact factory.

Total weight of fixture(s) and bracket(s) should not exceed vertical load shown above.

Standard features are as shown on drawing. Available optional features are listed in the order grid on Page 2, and in the Accessories pages.

Slip-fit tenon to be used only with 50# vertical load series.

Tenon-mounted side arm brackets should be used only in symmetrical double, triple, or quad arrangements. Available bullhorn brackets are listed in the Accessories section.

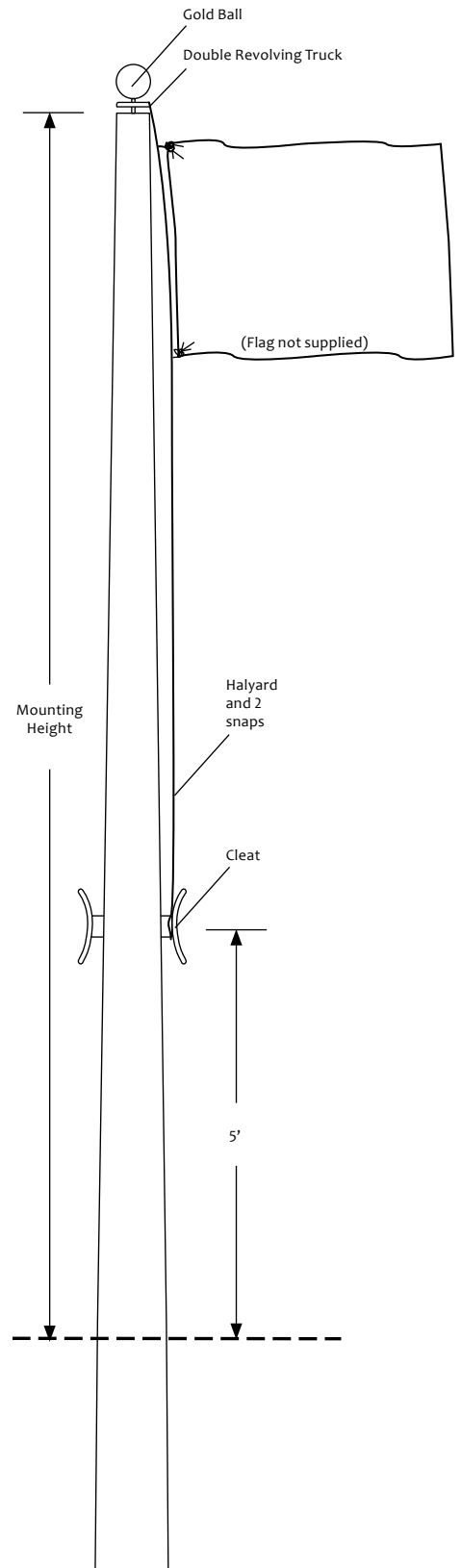
3-in. slip-fit tenon available.

Hinged base secured by penta-head bolt.

FLAG POLES : Direct Burial

CMT Catalog Number	Nominal Mounting Height (ft.)	Shaft Length (ft.)	Weight of Pole (lb.)	Tip O.D. (in.)	Butt O.D. (in.)	Ball Dia. (in.)	Suggested Flag Size (ft.)
FB24	20	24	59	3.00	8.18	6	4x6
FB30	25	30	108	3.00	9.38	6	6x10
FB35	30	35	156	3.0	10.56	8	6x10
FB40	35	40	229	3.7	12.20	8	8x12
FB46	40	46	317	3.7	13.62	10	8x12

Don't see what you need? Call us. We can build it!

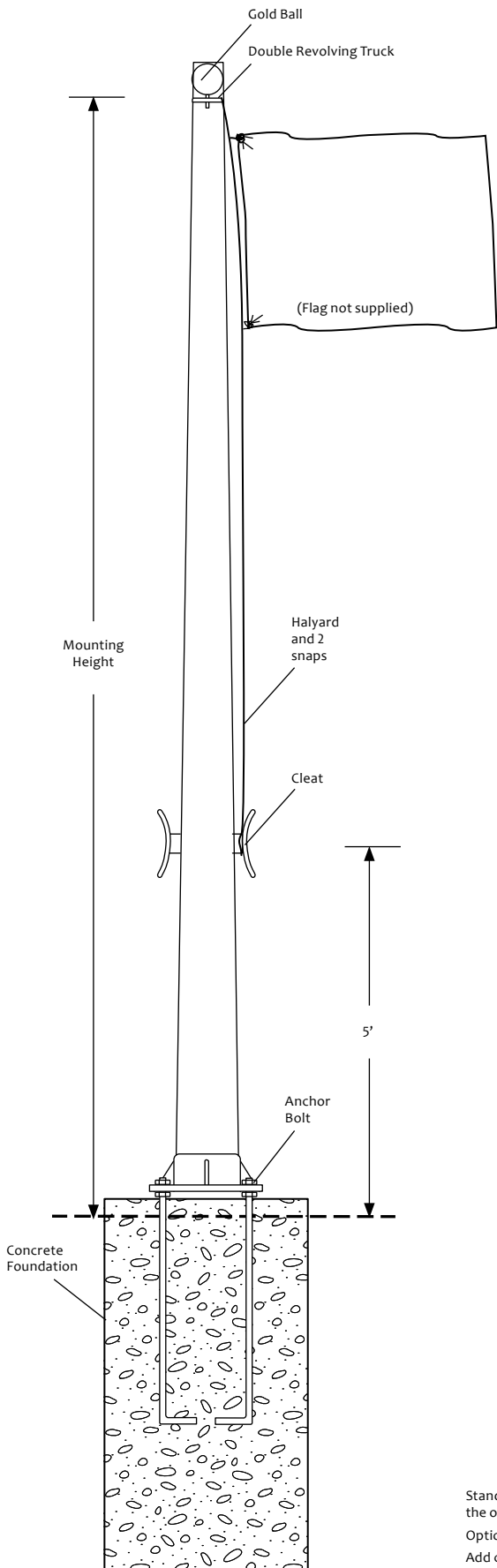


Standard features are as shown on drawing. Available optional features, including base cover, are listed in the order grid on Page 2, and in the Accessories pages.

Optional features include a gold eagle, and additional flag snaps.

Add color designator (see Page 2) to the above catalog numbers when ordering.

Anchor Base : FLAG POLES



CMT Catalog Number	Nominal Mounting Height (ft.)	Shaft Length (ft.)	Weight of Pole (lb.)	Tip O.D. (in.)	Butt O.D. (in.)	Ball Dia. (in.)	Suggested Flag Size (ft.)	Bolt Circle (in.)
FA20	20	20	75	3.00	7.25	6	4x6	10.500
FA25	25	25	127	3.00	8.40	6	6x10	11.875
FA30	30	30	168	3.00	9.38	8	6x10	11.875
FA35	35	35	256	3.70	11.26	8	8x12	15.25
FA40	40	40	316	3.70	12.20	10	8x12	15.25

Don't see what you need? Call us. We can build it!

Bolt Circle (in.)	Bolt Size (in.)	Base Cover
8.625	0.5 x 15 x 4	BC1
10.5	0.625 x 21 x 4	BC2
11.875	0.75 x 30 x 4	BC3
13.500	1 x 36 x 4	BC4
15.250	1 x 36 x 4	BC5
16	1 x 36 x 4	BC6
17	1 x 36 x 4	BC7
18	1 x 36 x 4	BC8

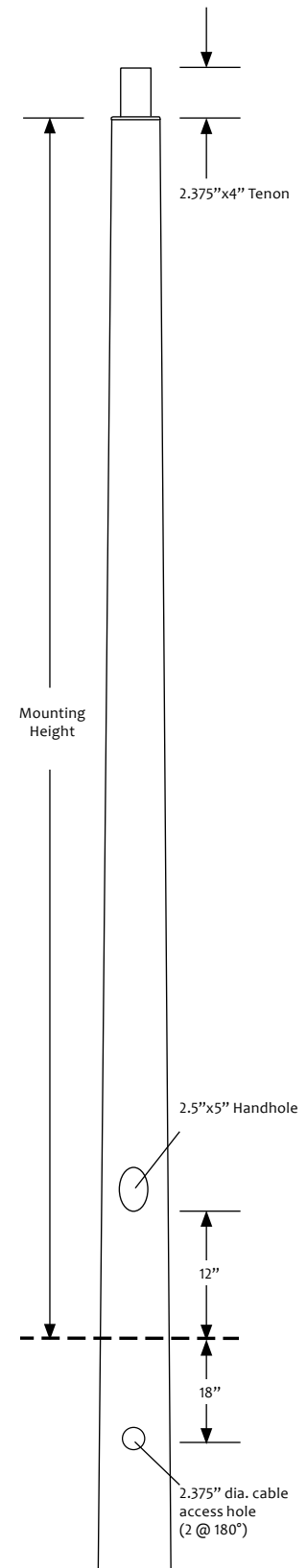
Standard features, including anchor bolts, are as shown on drawing. Available optional features, including base cover, are listed in the order grid on Page 2, and in the Accessories pages.

Optional features include a gold eagle, additional flag snaps, and retrofit base cover.

Add color designator (see Page 2) to the above catalog numbers when ordering.

High Wind Speed : POST TOP : Direct Burial

CMT Catalog Number	Nominal Mounting Height (ft.)	Shaft Length (ft.)	Weight of Pole (lb.)	Tip O.D. (in.)	Butt O.D. (in.)	Max. EPA 140 MPH
Post Top 50# Vertical Load						
TB22HD-D-50	16	22	52	4.41	9.16	3.5
TB27HD-D-50	20	27	89	4.41	10.24	3.5
TB32HD-D-50	25	32	146	4.41	11.32	3.5
TB38HD-F-50	30	38	216	5.12	13.33	3.5
TB45HD-F-50	35	45	342	5.12	14.84	3.5
TB50HD-K-50	40	50	467	6.54	17.44	3.5
Post Top 200# Vertical Load						
TB29HD-F-200	20	29	152	5.12	11.38	6.0
TB34HD-F-200	25	34	219	5.12	12.46	5.0
TB40HD-F-200	30	40	307	5.12	13.76	5.0
TB46HD-K-200	35	46	394	6.54	16.47	5.0
TB51HD-K-200	40	51	547	6.54	17.55	5.0
Post Top 300# Vertical Load						
TB35HD-K-300	25	35	237	6.54	14.10	7.0
TB41HD-K-300	30	41	337	6.54	15.39	6.5
TB46HD-K-300	35	46	469	6.54	16.47	6.5
TB52HD-K-300	40	52	604	6.54	17.77	6.0



Don't see what you need? Call us. We can build it!

Maximum EPA is calculated using wind velocities shown with a 1.3 gust factor. Poles are available with other EPA specifications. Contact factory.

Total weight of fixture(s) and bracket(s) should not exceed vertical load shown above.

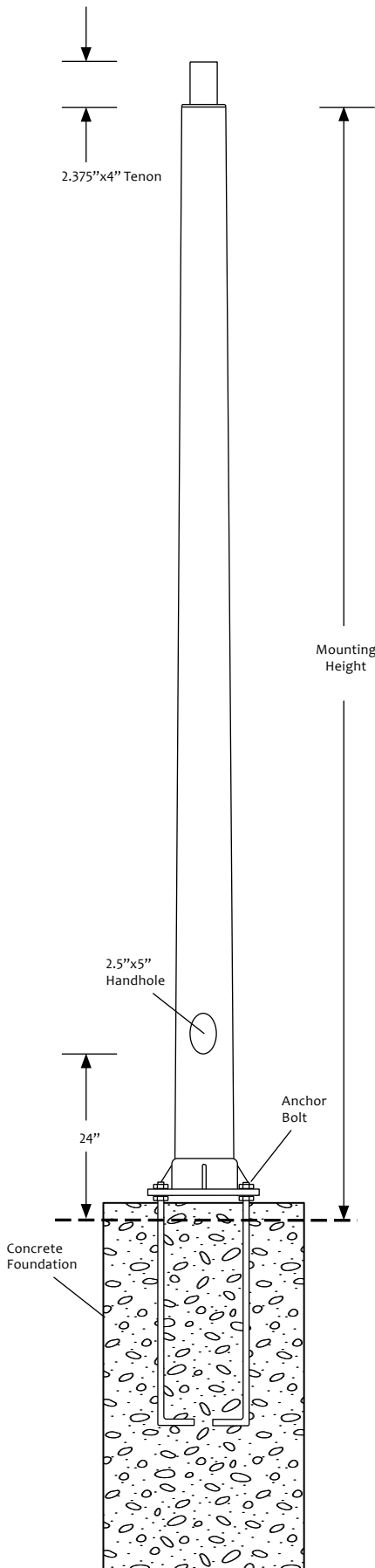
Standard features are as shown on drawing. Available optional features are listed in the order grid on Page 2, and in the Accessories pages.

Slip-fit tenon to be used only with 50# vertical load series.

Tenon-mounted side arm brackets should be used only in symmetrical double, triple, or quad arrangements. Available bullhorn brackets are listed in the Accessories section.

See the Breakaway Poles section for approved breakaway side-mount bracket poles.

Anchor Base : POST TOP : High Wind Speed



CMT Catalog Number	Nominal Mounting Height (ft.)	Shaft Length (ft.)	Weight of Pole (lb.)	Tip O.D. (in.)	Butt O.D. (in.)	Max. EPA 140 MPH	Bolt Circle (in.)
Post Top 50# Vertical Load							
TA16HD-D-50	16	16	60	4.41	7.86	3.5	10.500
TA20HD-D-50	20	20	90	4.41	8.73	3.5	11.875
TA25HD-D-50	25	25	133	4.41	9.81	3.5	13.500
TA30HD-F-50	30	30	219	5.12	11.60	3.5	15.250
TA35HD-F-50	35	35	295	5.12	12.68	3.5	15.250
Post Top 200# Vertical Load							
TA20HD-F-200	20	20	133	5.12	9.44	6.0	11.875
TA25HD-F-200	25	25	184	5.12	10.52	5.0	13.500
TA30HD-F-200	30	30	260	5.12	11.60	5.0	15.250
TA35HD-F-200	35	35	360	5.12	12.68	5.0	15.250
TA40HD-K-200	40	40	476	6.54	15.18	5.0	18.000
Post Top 300# Vertical Load							
TA30HD-K-300	30	30	306	6.54	13.02	7.0	17.000
TA35HD-K-300	35	35	410	6.54	14.10	7.0	17.000
TA40HD-K-300	40	40	529	6.54	15.18	7.0	18.000

Don't see what you need? Call us. We can build it!

Bolt Circle (in.)	Bolt Size (in.)	Base Cover
8.625	0.5 x 15 x 4	BC1
10.5	0.625 x 21 x 4	BC2
11.875	0.75 x 30 x 4	BC3
13.500	1 x 36 x 4	BC4
15.250	1 x 36 x 4	BC5
16	1 x 36 x 4	BC6
17	1 x 36 x 4	BC7
18	1 x 36 x 4	BC8

Maximum EPA is calculated using wind velocities shown with a 1.3 gust factor. Poles are available with other EPA specifications. Contact factory. Total weight of fixture(s) and bracket(s) should not exceed vertical load shown above.

Standard features are as shown on drawing. Available optional features are listed in the order grid on Page 2, and in the Accessories pages.

Supply drilling template with order

High Wind Speed : SIDE MOUNT : Direct Burial

CMT Catalog Number	Nominal Mounting Height (ft.)	Shaft Length (ft.)	Weight of Pole (lb.)	Tip O.D. (in.)	Butt O.D. (in.)	Max. EPA 140 MPH
Single Arm, up to 50# Luminaire						
SB22HD-D-50	16	22	52	4.41	9.16	3.5
SB27HD-D-50	20	27	89	4.41	10.24	3.5
SB32HD-D-50	25	32	146	4.41	11.32	3.5
SB38HD-F-50	30	38	216	5.12	13.33	3.5
SB45HD-F-50	35	45	342	5.12	14.84	3.5
SB50HD-K-50	40	50.5	467	6.54	17.44	3.5
Multiple Arms, 200# Vertical Load						
SB29HD-F-200	20	29	148	5.12	11.38	5.2
SB34HD-F-200	25	34	219	5.12	12.46	5.2
SB40HD-F-200	30	40	313	5.12	13.76	5.2
SB46HD-K-200	35	46	407	6.54	16.47	4.8
SB51HD-K-200	40	51	533	6.54	17.55	4.8

Don't see what you need? Call us. We can build it!

Maximum EPA is calculated using wind velocities shown with a 1.3 gust factor. Poles are available with other EPA specifications. Contact factory.

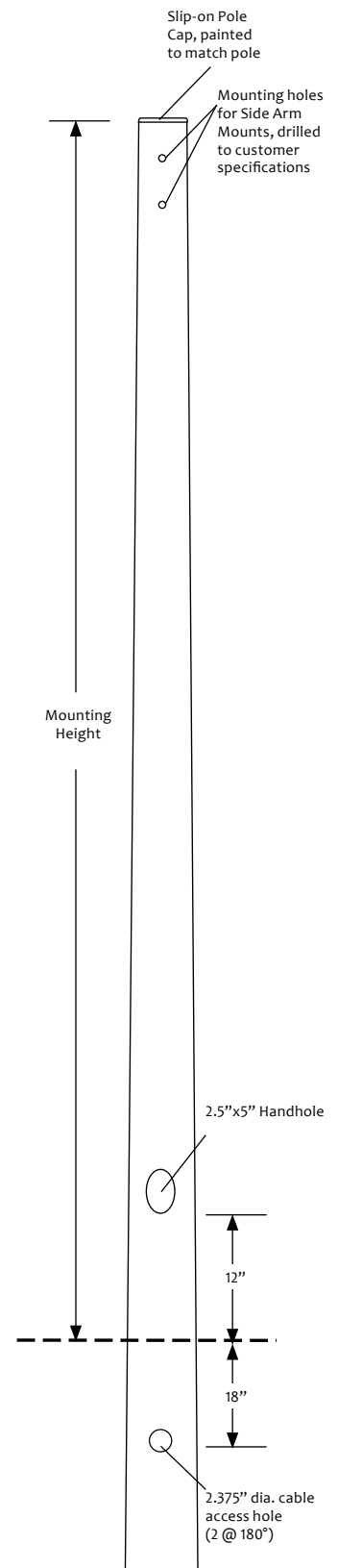
Total weight of fixture(s) and bracket(s) should not exceed vertical load shown above.

Standard features are as shown on drawing. Available optional features are listed in the order grid on Page 2, and in the Accessories pages.

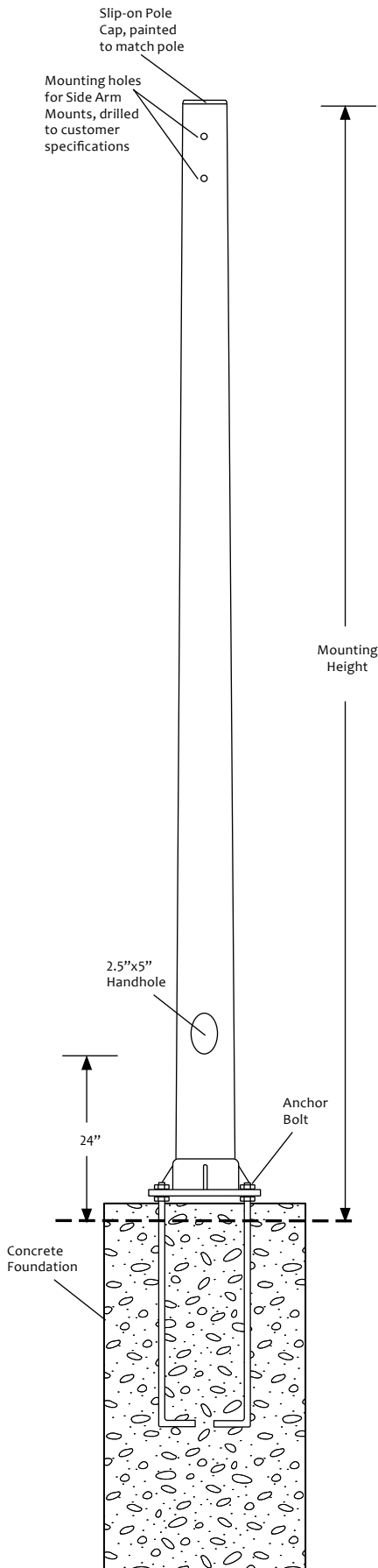
Slip-fit tenon to be used only with 50# vertical load series.

Tenon-mounted side arm brackets should be used only in symmetrical double, triple, or quad arrangements. Available bullhorn brackets are listed in the Accessories section.

See the Breakaway Poles section for approved breakaway side-mount bracket poles.



Anchor Base : SIDE MOUNT: High Wind Speed



CMT Catalog Number	Nominal Mounting Height (ft.)	Shaft Length (ft.)	Weight of Pole (lb.)	Tip O.D. (in.)	Butt O.D. (in.)	Max. EPA 140 MPH	Bolt Circle (in.)
Single Arm, 50# Vertical Load							
SA16HD-D-50	16	16	60	4.41	7.86	3.5	10.500
SA20HD-D-50	20	20	87	4.41	8.73	3.5	11.875
SA25HD-D-50	25	25	126	4.41	9.81	3.5	13.500
SA30HD-F-50	30	30	216	5.12	11.60	3.5	15.250
SA35HD-F-50	35	35	293	5.12	12.68	3.5	15.250
Multiple Arms, 200# Vertical Load							
SA20HD-D-200	20	20	126	4.41	8.73	5.2	11.875
SA25HD-D-200	25	25	192	4.41	9.81	5.2	13.500
SA30HD-F-200	30	30	258	5.12	11.60	5.2	15.250
SA35HD-F-200	35	35	360	5.12	12.68	4.8	15.250
SA40HD-K-200	40	40	449	6.54	15.18	4.8	18.000

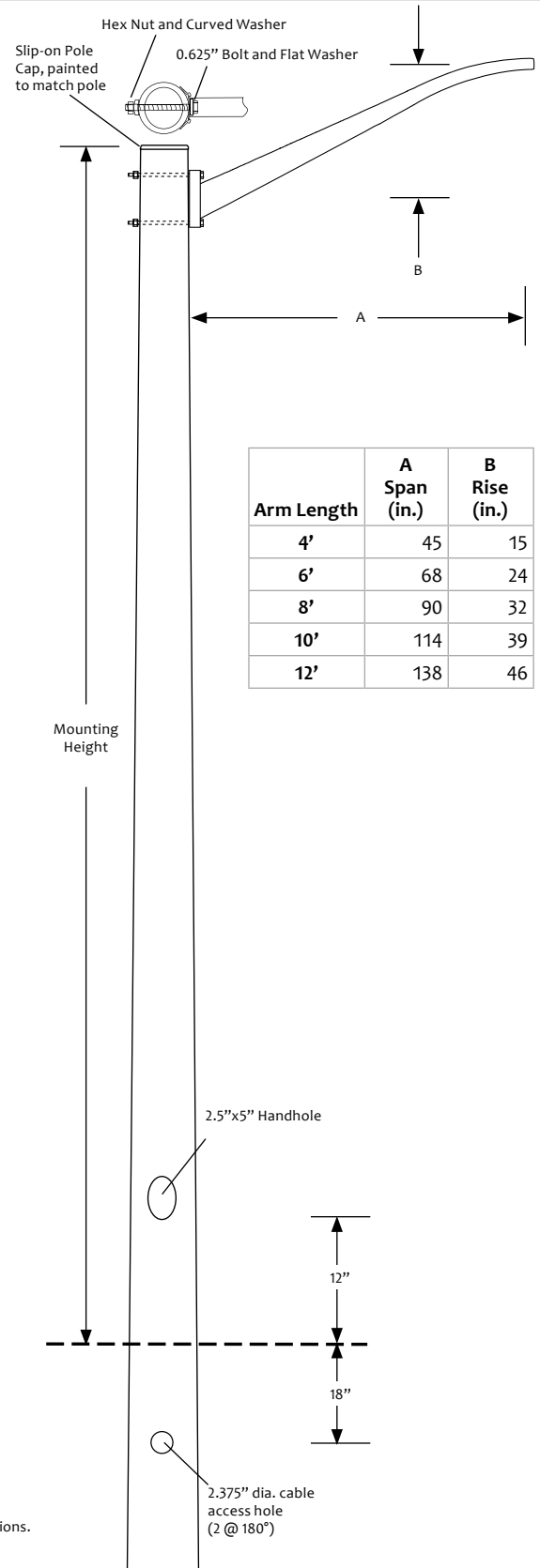
Don't see what you need? Call us. We can build it!

Bolt Circle (in.)	Bolt Size (in.)	Base Cover
8.625	0.5 x 15 x 4	BC1
10.5	0.625 x 21 x 4	BC2
11.875	0.75 x 30 x 4	BC3
13.500	1 x 36 x 4	BC4
15.250	1 x 36 x 4	BC5
16	1 x 36 x 4	BC6
17	1 x 36 x 4	BC7
18	1 x 36 x 4	BC8

Maximum EPA is calculated using wind velocities shown with a 1.3 gust factor. Poles are available with other EPA specifications. Contact factory. Total weight of fixture(s) and bracket(s) should not exceed vertical load shown above. Standard features are as shown on drawing. Available optional features are listed in the order grid on Page 2, and in the Accessories pages. Supply drilling template with order

High Wind Speed : MAST ARM : Direct Burial

CMT Catalog Number	Nominal Mounting Height (ft.)	Shaft Length (ft.)	Weight of Pole (lb.)	Tip O.D. (in.)	Butt O.D. (in.)	Max. EPA 140 MPH
To support up to two 4', 6' or 8' Mast Arm(s)						
MB27HD-K-50	20	27.5	116	6.54	12.48	3.5
MB33HD-K-50	25	33	175	6.54	13.66	3.5
MB41HD-K-50	30	41	371	6.54	15.39	3.5
MB46HD-K-50	35	46	489	6.54	16.47	3.5
MB52HD-K-50	40	52	640	6.54	17.77	3.5
To support up to two 10' or 12' Mast Arm(s)						
MB34HD-D-50	25	34	251	6.54	13.88	5.0
MB41HD-K-50	30	41	390	6.54	15.39	5.0
MB46HD-K-50	35	46	485	6.54	16.47	5.0
MB52HD-K-50	40	52	660	6.54	17.77	5.0



Don't see what you need? Call us. We can build it!

Maximum EPA is calculated using wind velocities shown with a 1.3 gust factor. Poles are available with other EPA specifications. Contact factory.

Total weight of fixture(s) and bracket(s) should not exceed vertical load shown above.

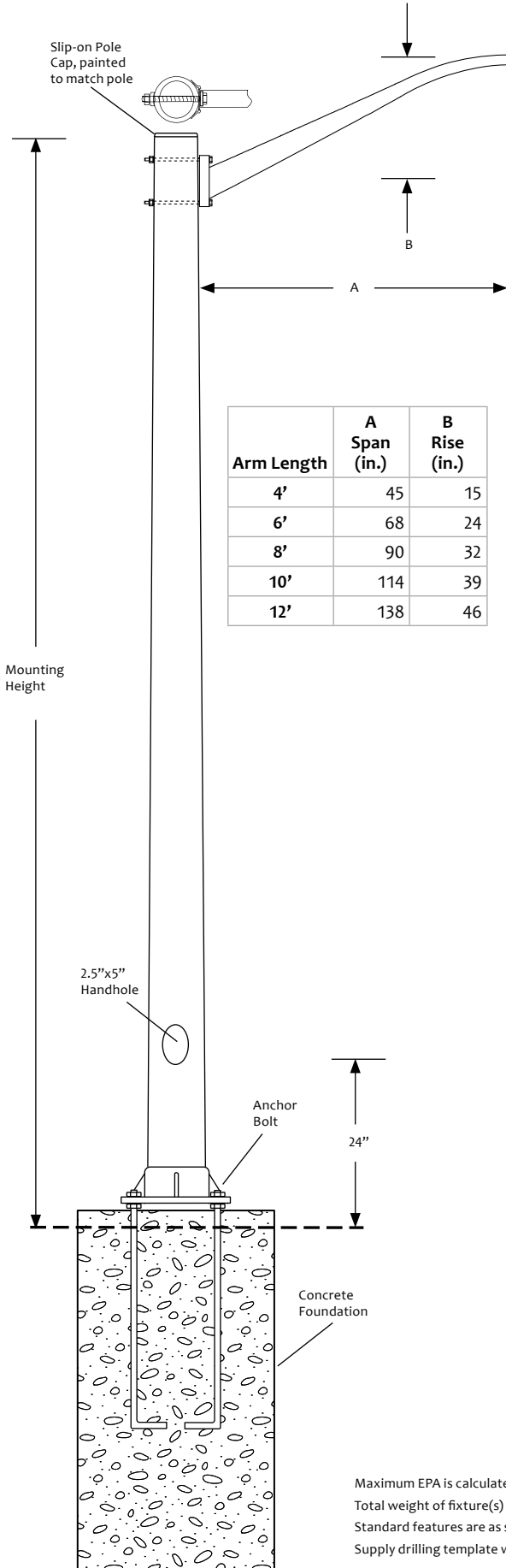
Standard features are as shown on drawing. Available optional features are listed in the order grid on Page 2, and in the Accessories pages.

Slip-fit tenon to be used only with 50# vertical load series.

Tenon-mounted side arm brackets should be used only in symmetrical double, triple, or quad arrangements. Available bullhorn brackets are listed in the Accessories section.

See the Breakaway Poles section for approved breakaway side-mount bracket poles.

Anchor Base : MAST ARM : High Wind Speed



Arm Length	A Span (in.)	B Rise (in.)
4'	45	15
6'	68	24
8'	90	32
10'	114	39
12'	138	46

CMT Catalog Number	Nominal Mounting Height (ft.)	Shaft Length (ft.)	Weight of Pole (lb.)	Tip O.D. (in.)	Butt O.D. (in.)	Max. EPA 140 MPH	Bolt Circle (in.)
--------------------	-------------------------------	--------------------	----------------------	----------------	-----------------	------------------	-------------------

To support up to two 4', 6' or 8' Mast Arm(s)

MA19HD-K-50	20	19	105	6.54	10.64	3.5	13.500
MA24HD-K-50	25	24	169	6.54	11.72	3.5	15.250
MA29HD-K-50	30	29	283	6.54	12.80	3.5	16.000
MA34HD-K-50	35	34	384	6.54	13.884	3.5	17.000

To support up to two 10' or 12' Mast Arm(s)

MA22HD-K-50	25	22	177	6.54	11.29	5.0	15.250
MA27HD-K-50	30	27	244	6.54	12.37	5.0	15.250
MA32HD-K-50	35	32	398	6.54	13.45	5.0	16.000

Don't see what you need? Call us. We can build it!

Bolt Circle (in.)	Bolt Size (in.)	Base Cover
8.625	0.5 x 15 x 4	BC1
10.5	0.625 x 21 x 4	BC2
11.875	0.75 x 30 x 4	BC3
13.500	1 x 36 x 4	BC4
15.250	1 x 36 x 4	BC5
16	1 x 36 x 4	BC6
17	1 x 36 x 4	BC7
18	1 x 36 x 4	BC8

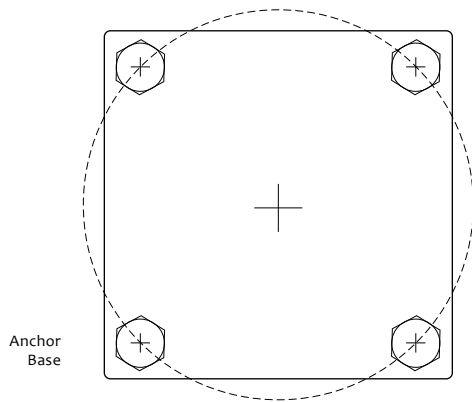
Maximum EPA is calculated using wind velocities shown with a 1.3 gust factor. Poles are available with other EPA specifications. Contact factory. Total weight of fixture(s) and bracket(s) should not exceed vertical load shown above. Standard features are as shown on drawing. Available optional features are listed in the order grid on Page 2, and in the Accessories pages. Supply drilling template with order

High Wind Speed : STRAIGHT SQUARE POLES

CMT Catalog Number	Nominal Mounting Height (ft.)	Shaft Length (ft.)	Weight of Pole (lb.)	Cross Section (in.)	Max. EPA 140 MPH	Bolt Circle (in.)
Direct Burial 5" x 5" Poles						
ZB(HD)10-5	10	16	80	5x5	3.5	
ZB(HD)12-5	12	18	90	5x5	3.5	
ZB(HD)15-5	15	21	105	5x5	3.5	
ZB(HD)20-5	20	27	135	5x5	3.5	
ZB(HD)25-5	25	32	160	5x5	3.5	

Anchor Base 5" x 5" Poles						
ZA(HD)12-5	12	12	70	5x5	6.0	11.000
ZA(HD)15-5	15	15	85	5x5	5.0	11.000
ZA(HD)20-5	20	20	110	5x5	5.0	11.000
ZA(HD)25-5	25	25	135	5x5	5.0	11.000

Don't see what you need? Call us. We can build it!



All EPA recommendations are based on poles with handholes, and allowing for a 30% gust factor for all wind ratings.

Add 10 lbs. to pole weights for tenon option.

Cross sectional dimensions are nominal.

Supply drilling template with order.

Add "T238" or "T300" to above Catalog Numbers for 2.275" or 3.000" tenons, respectively.

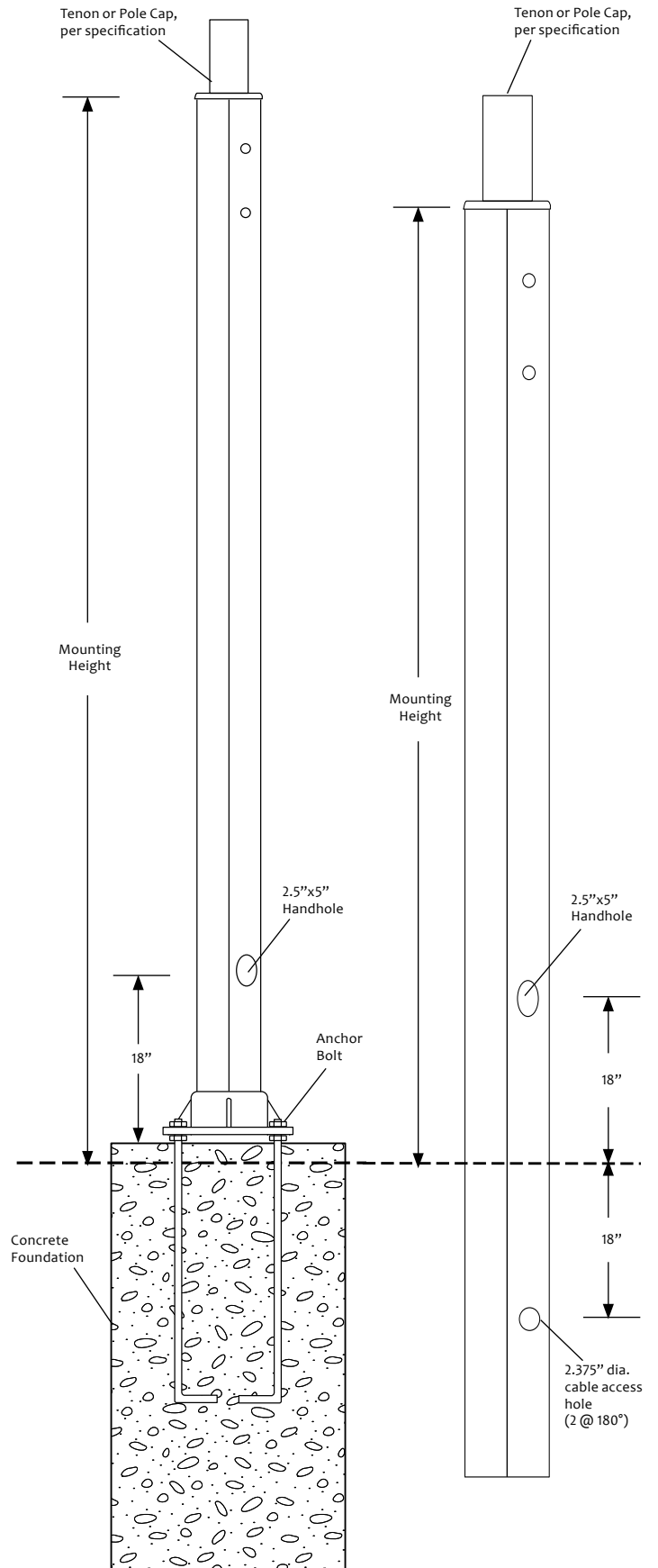
Color options for CMT Straight Square poles:

- 1 - Light Grey
- 2 - Dark Bronze
- 3 - Black
- 4 - White
- 0 - Other

Base Covers and Anchor Bolts for Anchor Base poles are optional, as follows:

Base Covers: Add "ZBC5" for 5x5 poles.

Anchor Bolts: Add "ZABG5" for 5x5 poles.

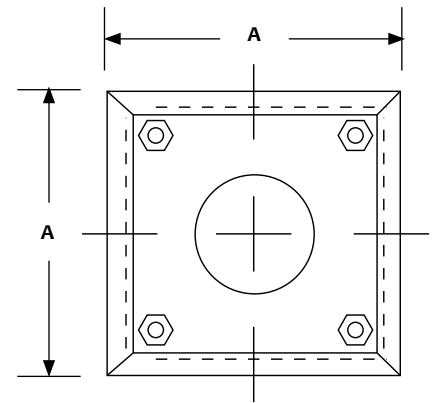
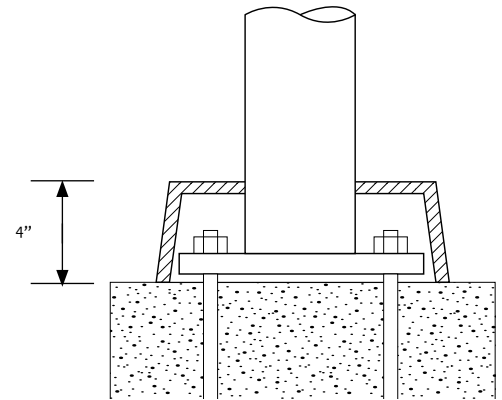


ACCESSORIES : Base Covers, Anchor Bolts

Base Covers

Catalog Number	For Bolt Circle (in.)	Dimension A (in.)
BC1	8.625	8.5
BC2	10.5	10.25
BC3	11.875	11.5625
BC4	13.500	13.125
BC5	15.250	14.8125
BC6	16	15.5
BC7	17	16.5
BC8	18	17.5

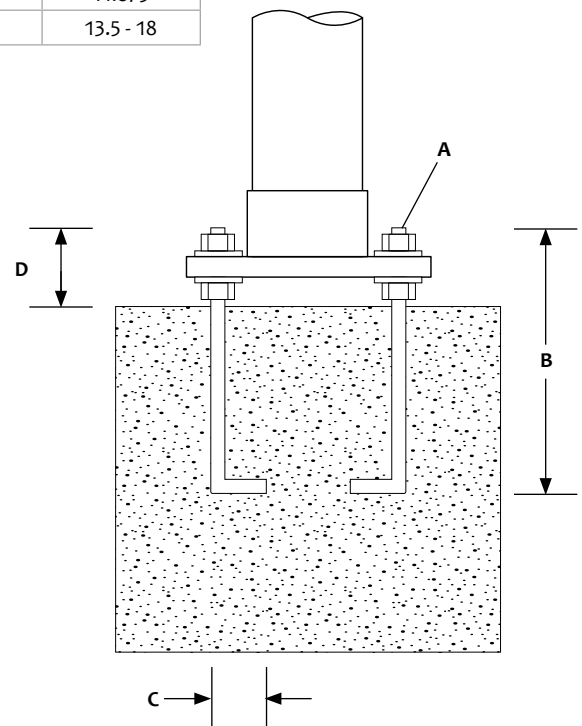
Covers are painted the same color as the pole.
For retrofit covers, insert "R" after "C" in the above catalog numbers.



Anchor Bolts

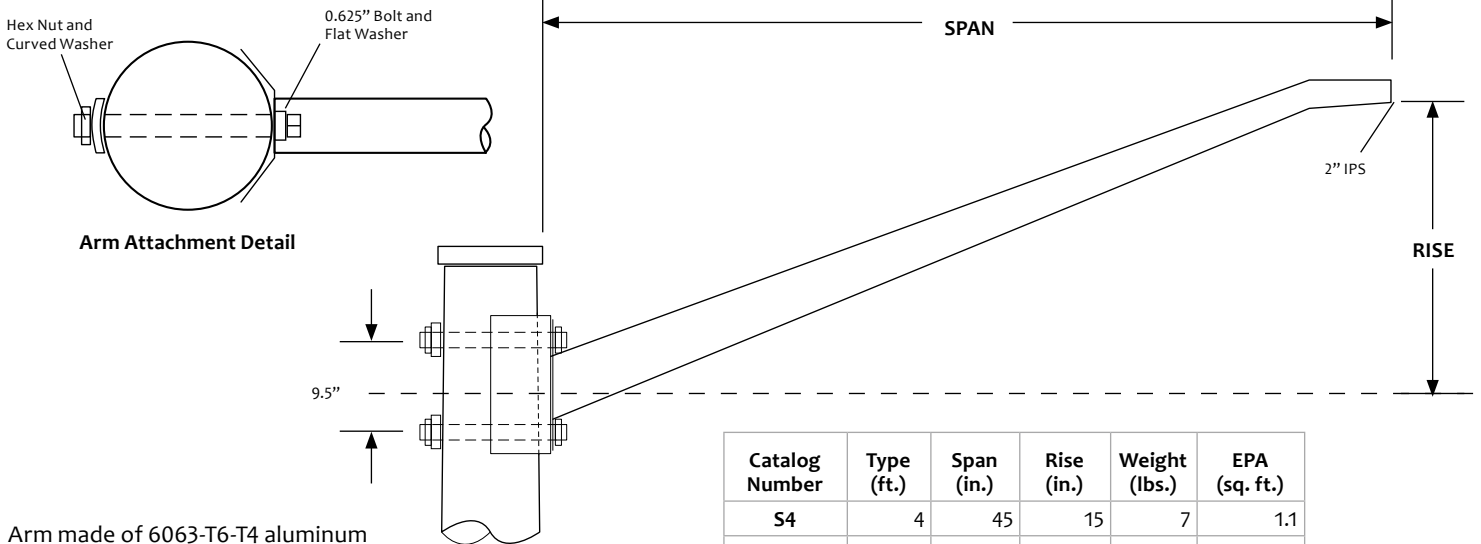
Catalog Number	Dimension A (in.)	Dimension B (in.)	Dimension C (in.)	Dimension D (in.)	Used With Bolt Circle (in.)
12ABG	0.5 - 13UNC2A	15	4	3.625	8.625
58ABG	0.625 - 11UNC2A	21	4	3.625	10.5
34ABG	0.75 - 8UNC2A	30	4	3.625	11.875
01ABG	1 - 10UNC2A	36	4	3.625	13.5 - 18

Bolts are A36 steel.
Hot dip galvanized per ASTM A153
Two nuts and two washers supplied per bolt



ACCESSORIES : Mast Arms

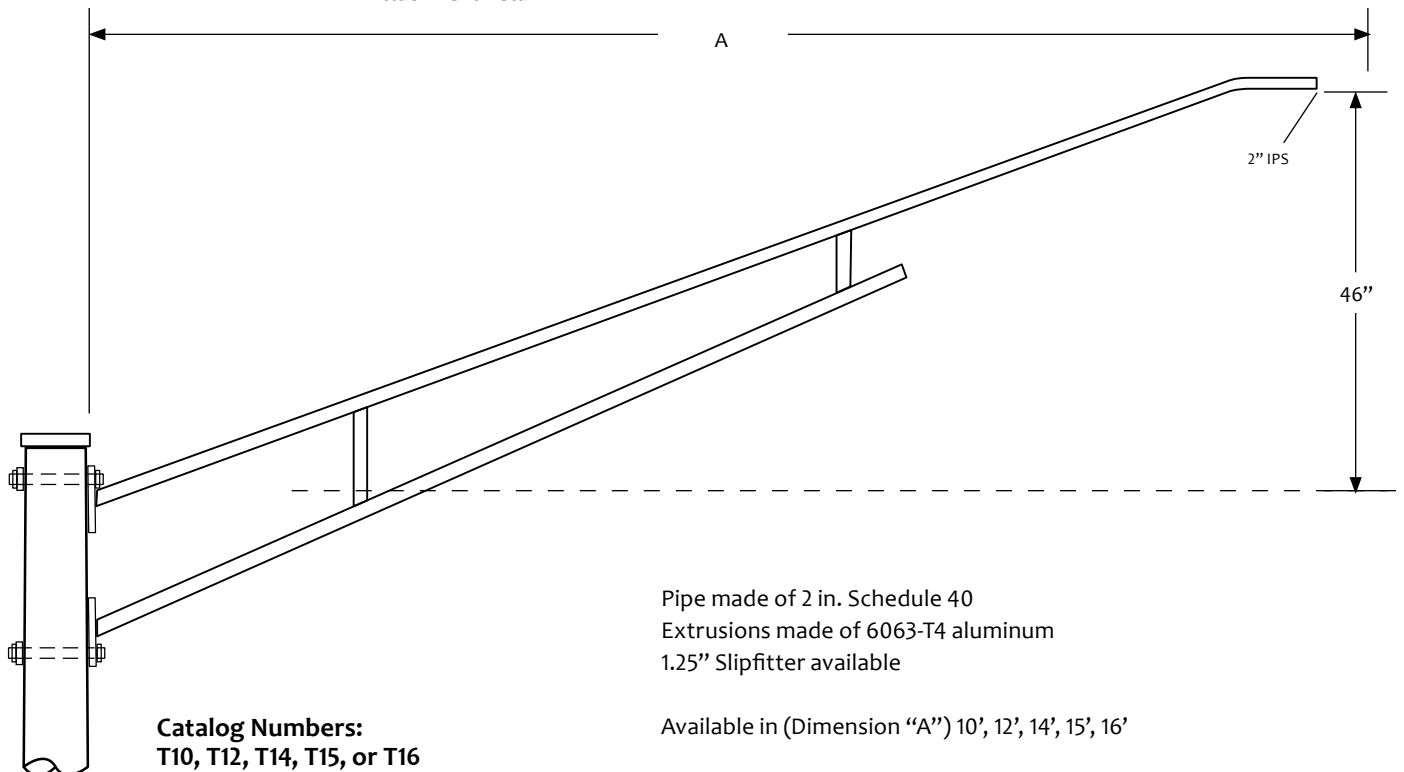
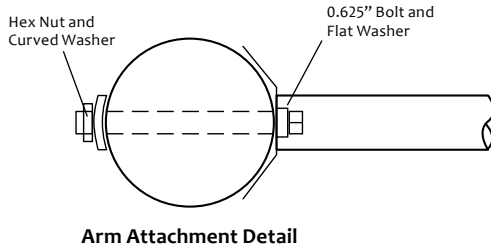
Tapered Arm



Arm made of 6063-T6-T4 aluminum
Welds are MIG Argon shielded
1.25" Slipfitter available

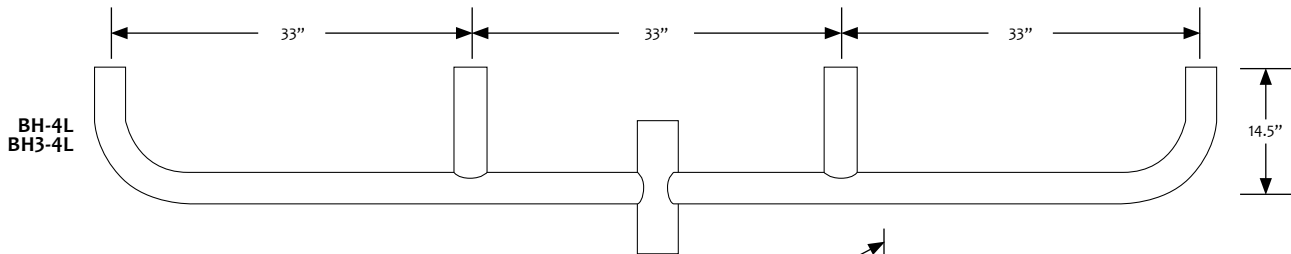
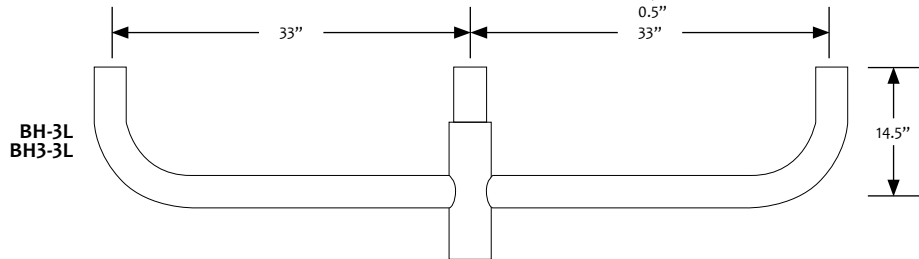
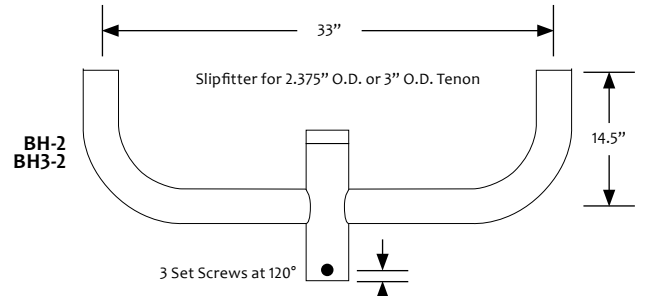
Catalog Number	Type (ft.)	Span (in.)	Rise (in.)	Weight (lbs.)	EPA (sq. ft.)
S4	4	45	15	7	1.1
S6	6	68	24	10.5	1.6
S8	8	90	32	15	2.4
S10	10	114	39	18	3.3
S12	12	138	46	20	4.0

Truss Arm

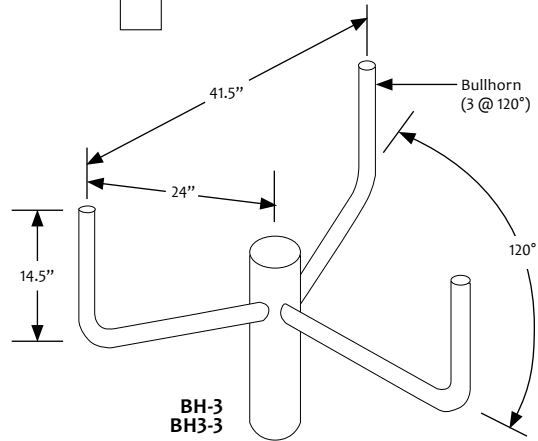


ACCESSORIES : Bullhorn Brackets

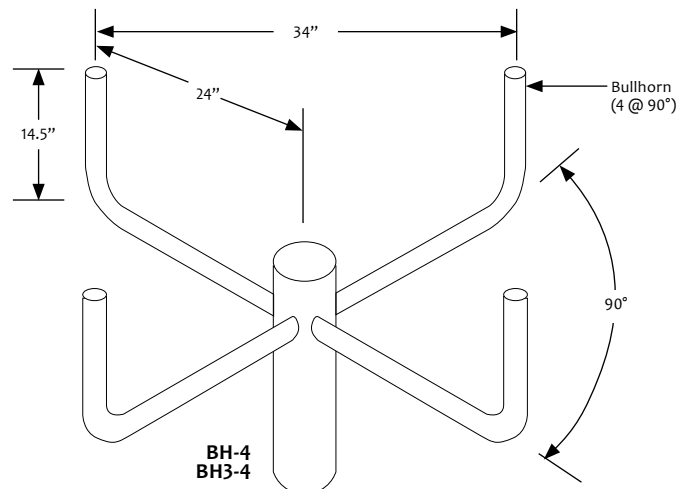
Maximum Size of Each Floodlight		Bullhorn Size		Pole Tenon Size (in.)	Bullhorn Catalog Number
EPA (sq. ft.)	Weight (lbs.)	EPA (sq. ft.)	Weight (lbs.)		
8.0	130	1.0	21	2.375	BH-2
16.0	130	1.1	23	3.000	BH3-2
5.4	130	1.7	34	2.375	BH-3L
10.0	130	1.8	36	3.000	BH3-3L
3.9	100	2.5	49	2.375	BH-4L
4.5	130	2.6	52	3.000	BH3-4L



Maximum Size of Each Floodlight		Bullhorn Size		Pole Tenon Size (in.)	Bullhorn Catalog Number
EPA (sq. ft.)	Weight (lbs.)	EPA (sq. ft.)	Weight (lbs.)		
5.0	130	1.2	36	2.375	BH-3
10.0	130	1.3	39	3.000	BH3-3



Maximum Size of Each Floodlight		Bullhorn Size		Pole Tenon Size (in.)	Bullhorn Catalog Number
EPA (sq. ft.)	Weight (lbs.)	EPA (sq. ft.)	Weight (lbs.)		
4.0	100	1.5	46	2.375	BH-4
7.5	130	1.6	49	3.000	BH3-4

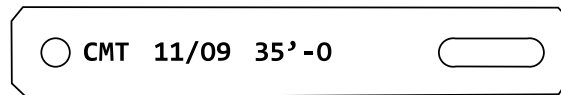
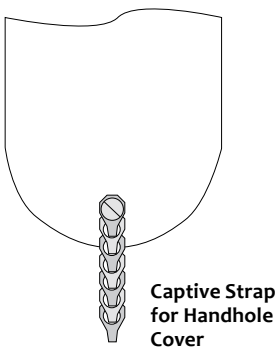


All Bullhorns are made of steel and are primed and painted
 Bullhorn cap is removable
 Bullhorn tenon size: 2.375"

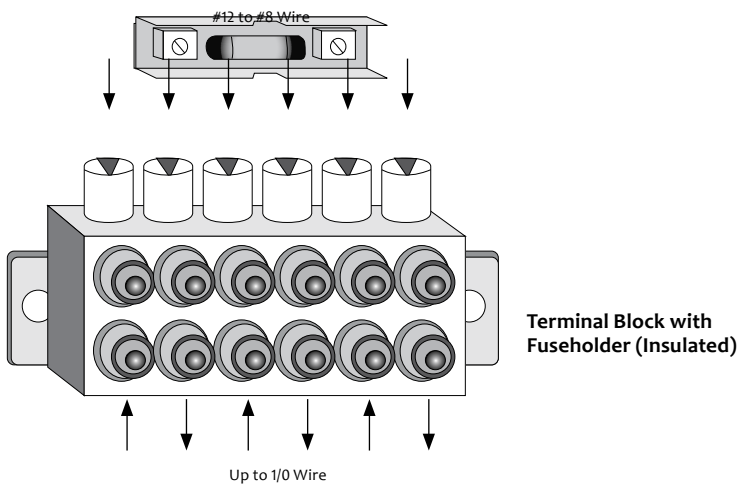
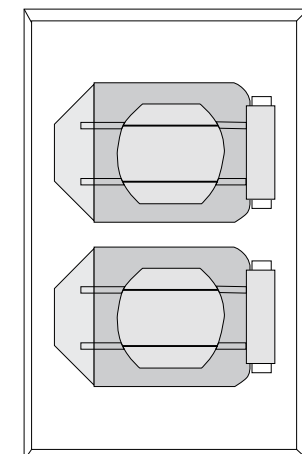
ACCESSORIES : Handhole Cover Chain, Electrical, Nameplate

Catalog Number	Description
EO	Weatherproof Receptacle
GFI	Weatherproof Receptacle with Ground Fault Indicator
NP	Nameplate
TBF	Terminal Block with Fuseholder (Insulated)
CH	Captive Strap for Handhole Cover

Handhole Cover Captive Screws	
2.5" x 5" Handhole	5/16"-18 x 2" Nylon Hex Head
4" x 12" Handhole	5/16"-18 x 2" Nylon Hex Head

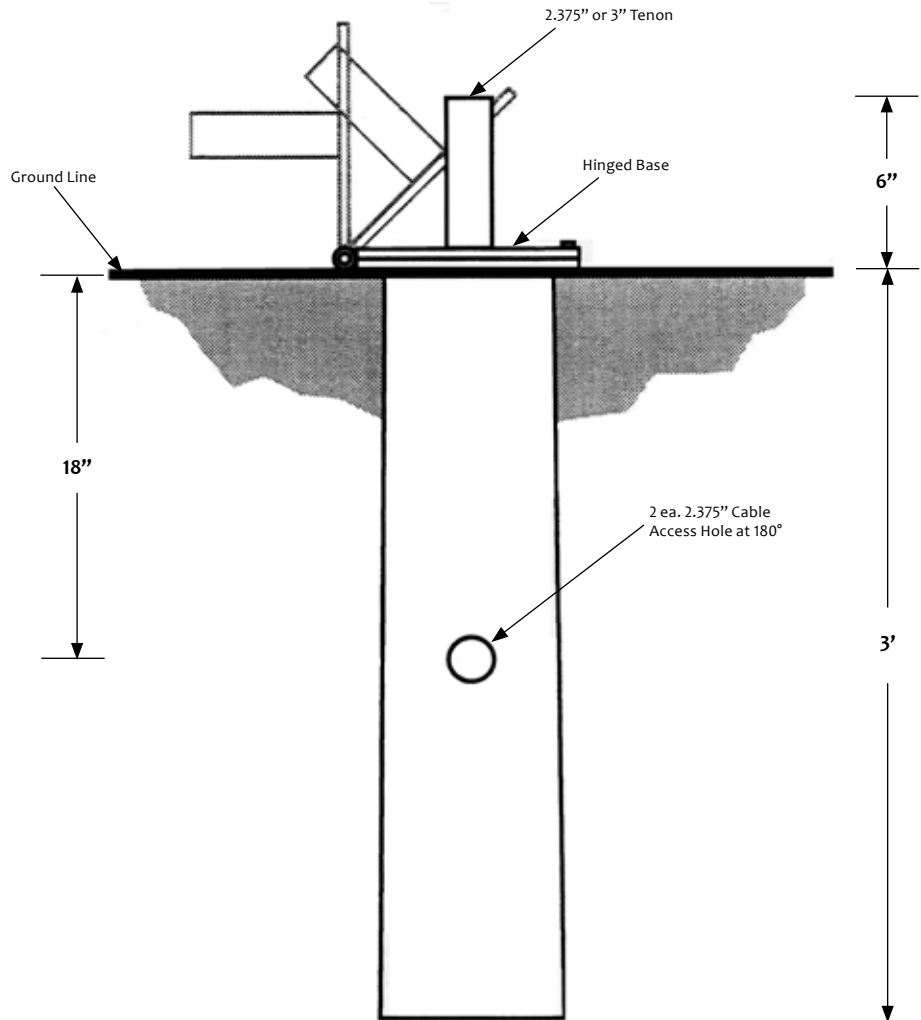


Nameplate



ACCESSORIES : Hinged Façade Base

Catalog Number	Tenon O.D. (in.)	Weight (lbs.)	Shaft O.D. (in.)
HF2	2.375	30	7.25
HF3	3	31	7.25



Shaft O.D.s shown are maximum, and may vary
 Penta-head fasteners are used to secure hinged base.
 Hinged base: hot dip galvanized per ASTM A153
 Wiring can be concealed in shaft for safety.

ACCESSORIES : Magnolia Ornamental Shroud

Catalog Number: MG18

How to Order

1. Standard pole/shroud packages, include a new Direct Burial Base pole and shroud:

40# Vertical Load:

- TB16-B-40-MG18
- TB20-B-40-MG18
- TB24-B-40-MG18

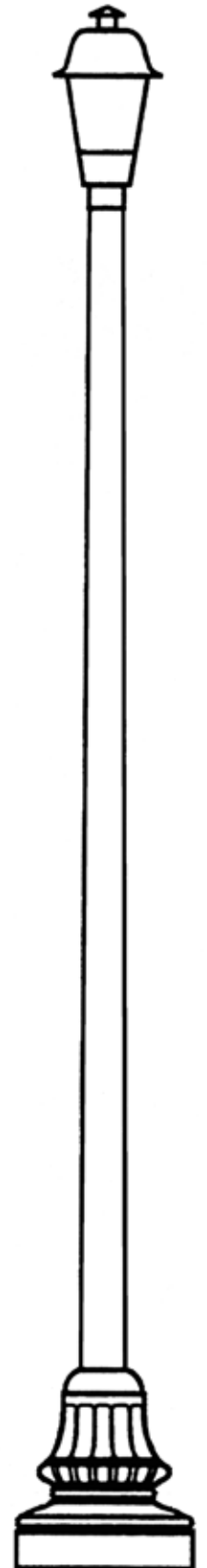
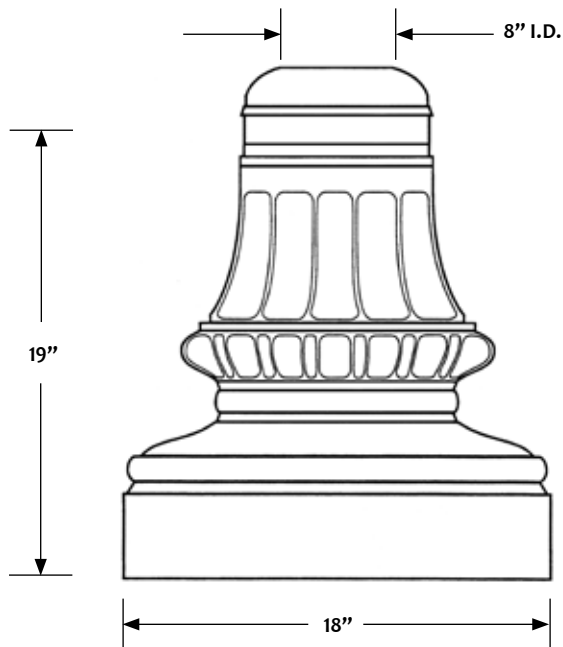
50# Vertical Load:

- TB13-B-50-MG18
- TB20-B-50-MG18
- TB24-B-50-MG18

2. Custom pole/shroud packages are available for any round pole to meet your unique needs. Specify the catalog number with MG18 Shroud.

3. Shrouds can be custom-made to fit your existing poles. Specify MG-18 Shroud and pole diameter at 20" above grade.

4. If you have multiple pole diameters already installed, our multi-purpose shroud design can fit any diameter up to 8 inches.





145 Wood Street
Estill, SC 29918
803-625-3131 • 800-416-4276
Fax: 803-625-4722

www.cmt-poles.com