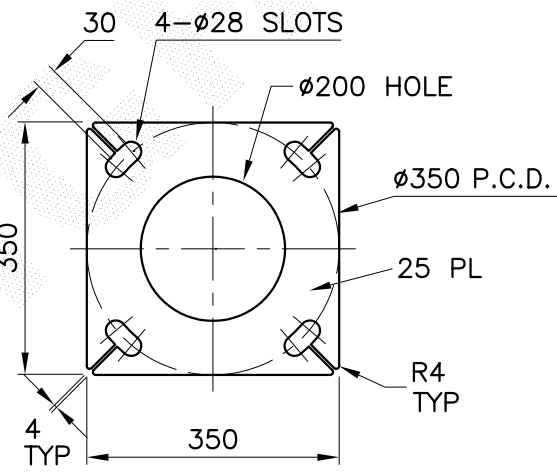


SPIGOT AT 5° UPCAST
TO SUIT CUSTOMER
SPECIFIED LUMINAIRE



BASEPLATE FOR 4-
M24 RAGBOLTS
SECTION A
SCALE 1:10

DOOR 460 x 130
CLEAR OPENING
2- CONTROL GEAR
MOUNTING CLIPS

NOTES:

1. ALL STEEL COIL TO CONFORM TO AS/NZS 1594 GRADE HU300 U.O.N.
ALL STEEL PLATES TO CONFORM TO AS/NZS 3678 GRADE 250 U.O.N.
2. ALL STEEL BARS AND SECTIONS TO CONFORM TO AS/NZS 3679 GRADE 250 U.O.N.
3. ALL WELDS TO CONFORM TO AS/NZS 1554 PART 1
4. ALL TAPER LOCK JOINT LENGTHS ARE NOMINAL U.O.N.
5. ALL STEEL TO BE FULLY HOT DIP GALVANIZED AFTER FABRICATION
IN ACCORDANCE WITH AS/NZS 4680

0	25/11/02	REDRAWN FROM SL 213 & UPDATED	P.B.	PEA
REV	DATE	DESCRIPTION	BY	CHKD
CUSTOMER/PROJECT				

COPYRIGHT
THIS DOCUMENT PRODUCED
BY INGAL EPS MUST NOT
BE COPIED, TRACED,
REPRODUCED, OR LENT
WITHOUT WRITTEN CONSENT

DIMENSIONS IN MILLIMETRES

DO NOT SCALE

CHECKED BY: PFA
DATE: 19/12/02

INGAL EPS

STREET LIGHTING
12m, 4.5m SINGLE OUTREACH FREEWAY
BASEPLATE MOUNTED
RIVERTON DESIGN

CATALOGUE NUMBER
SFL12FSO45
DRAWING NUMBER
SFL12FSO45

SCALE: 1:50
CAD FILE No. Z:\ACAD\STD\FREEWAY\SFL12FSO45

DRAWN BY: P. BENTZEN
DATE: 25/11/02