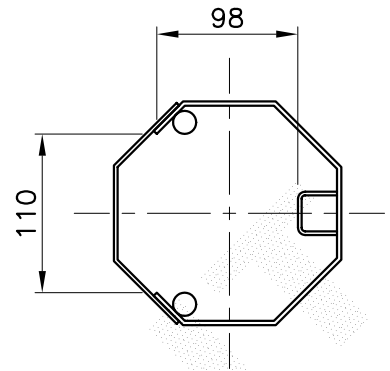
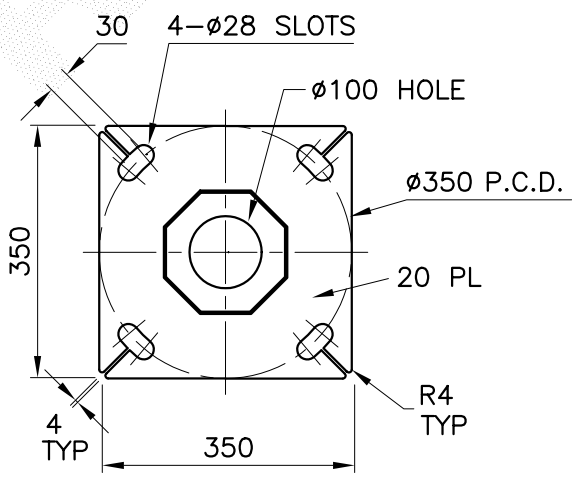


34 O.D. SPIGOT  
OR 42 O.D. SPIGOT  
(CUSTOMER TO ADVISE)  
UPLIFT 5"



CONTROL GEAR CLEARANCES



BASEPLATE DETAIL

DOOR 295 x 110  
CLEAR OPENING  
2- CONTROL GEAR  
MOUNTING STRAPS

**NOTES:**

1. ALL STEEL COIL TO CONFORM TO AS/NZS 1594 GRADE HU300 U.O.N.  
ALL STEEL PLATES TO CONFORM TO AS/NZS 3678 GRADE 250 U.O.N.
2. ALL STEEL BARS AND SECTIONS TO CONFORM TO AS/NZS 3679 GRADE 250 U.O.N.
3. ALL WELDS TO CONFORM TO AS/NZS 1554 PART 1
4. ALL TAPER LOCK JOINT LENGTHS ARE NOMINAL U.O.N.
5. ALL STEEL TO BE FULLY HOT DIP GALVANIZED AFTER FABRICATION  
IN ACCORDANCE WITH AS/NZS 4680

1	15/10/02	CAT NO WAS SAL90F/S15	I.W.	PPA
0	4/12/98	REDRAWN FROM SL204 & UPDATED	I.W.	10
REV	DATE	DESCRIPTION	BY	CHKD
CUSTOMER/PROJECT				

COPYRIGHT  
THIS DOCUMENT PRODUCED  
BY INGAL EPS MUST NOT  
BE COPIED, TRACED,  
REPRODUCED, OR LENT  
WITHOUT WRITTEN CONSENT

DIMENSIONS IN MILLIMETRES

DO NOT SCALE

CHECKED BY: *10* DATE: 9/12/98

**INGAL EPS**

STREET LIGHTING  
9m, 1.5m SINGLE OUTREACH AVENUE  
BASEPLATE MOUNTED  
RIVERTON DESIGN

CATALOGUE NUMBER  
SAL9FS015  
DRAWING NUMBER  
SAL9FS015

DATE: 4/12/98  
DRAWN BY: I. WHITE  
SCALE: 1:40  
CAD FILE No. Z:\ACAD\STD\AVENUE\SAL90F-S15