

34 O.D. SPIGOT
OR 42 O.D. SPIGOT
(CUSTOMER TO ADVISE)
UPLIFT 5"

R1500

AC2042DO

42 O.D. SPIGOT

AC2034DO

34 O.D. SPIGOT

9040 NOM. OVERALL HEIGHT

2400

300

D24

162

HC49FD

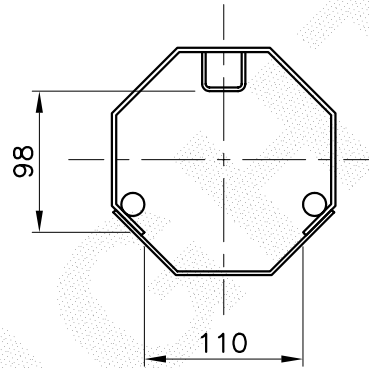
4900

DOOR 295 x 110
CLEAR OPENING
2- CONTROL GEAR
MOUNTING STRAPS

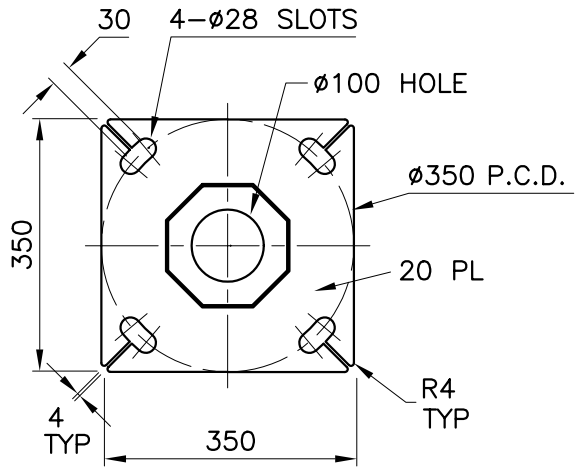
295

800

171 O.D.A.F.



**CONTROL GEAR
CLEARANCES**



BASEPLATE DETAIL

NOTES:

1. ALL STEEL COIL TO CONFORM TO AS/NZS 1594 GRADE HU300 U.O.N. ALL STEEL PLATES TO CONFORM TO AS/NZS 3678 GRADE 250 U.O.N.
2. ALL STEEL BARS AND SECTIONS TO CONFORM TO AS/NZS 3679 GRADE 250 U.O.N.
3. ALL WELDS TO CONFORM TO AS/NZS 1554 PART 1
4. ALL TAPER LOCK JOINT LENGTHS ARE NOMINAL U.O.N.
5. ALL STEEL TO BE FULLY HOT DIP GALVANIZED AFTER FABRICATION IN ACCORDANCE WITH AS/NZS 4680

REV	DATE	DESCRIPTION	BY	CHKD
0	20/1/99	FIRST ISSUE	JPN	

COPYRIGHT
THIS DOCUMENT PRODUCED
BY INGAL EPS MUST NOT
BE COPIED, TRACED,
REPRODUCED, OR LENT
WITHOUT WRITTEN CONSENT

DIMENSIONS IN MILLIMETRES

DO NOT SCALE

CHECKED BY: JPN
DATE: 10/2/00

INGAL EPS

STREET LIGHTING
9m, 2m DOUBLE OUTREACH AVENUE
BASEPLATE MOUNTED
RIVERTON DESIGN

CATALOGUE NUMBER
SAL9FDO20
DRAWING NUMBER
SAL9FDO20

CAD FILE No.
Z:\ACAD\STD\AVENUE\SAL90F-D20

SCALE: 1:40

DRAWN BY: I. WHITE
DATE: 20/1/99