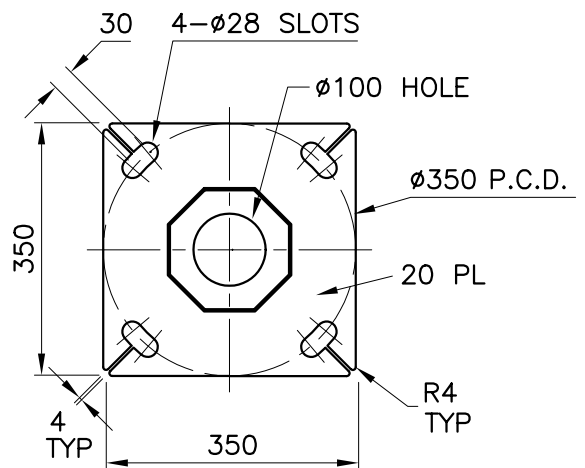


CONTROL GEAR
CLEARANCES



BASEPLATE DETAIL

NOTES:

1. ALL STEEL COIL TO CONFORM TO AS/NZS 1594 GRADE HU300 U.O.N.
ALL STEEL PLATES TO CONFORM TO AS/NZS 3678 GRADE 250 U.O.N.
2. ALL STEEL BARS AND SECTIONS TO CONFORM TO AS/NZS 3679 GRADE 250 U.O.N.
3. ALL WELDS TO CONFORM TO AS/NZS 1554 PART 1
4. ALL TAPER LOCK JOINT LENGTHS ARE NOMINAL U.O.N.
5. ALL STEEL TO BE FULLY HOT DIP GALVANIZED AFTER FABRICATION
IN ACCORDANCE WITH AS/NZS 4680

COPYRIGHT THIS DOCUMENT PRODUCED BY INGAL EPS MUST NOT BE COPIED, TRACED, REPRODUCED, OR LENT WITHOUT WRITTEN CONSENT			
DIMENSIONS IN MILLIMETRES			
<p>DO NOT SCALE</p>			
0	4/12/98	REDRAWN FROM SL204 & UPDATED	I.W.
REV	DATE	DESCRIPTION	BY
CUSTOMER/PROJECT			
CHCKD	DATE	DATE	SCALE
A4	9/12/98	4/12/98	1:40

INGAL EPS		CATALOGUE NUMBER SAL9FDO15
STREET LIGHTING 9m, 1.5m DOUBLE OUTREACH AVENUE BASEPLATE MOUNTED RIVERTON DESIGN		DRAWING NUMBER SAL9FDO15
DATE 4/12/98	DRAWN BY I. WHITE	CAD FILE No. Z:\ACAD\STD\AVENUE\SAL90F-D15