

34 O.D. SPIGOT
OR 42 O.D. SPIGOT
(CUSTOMER TO ADVISE)
UPLIFT 5°

R1500

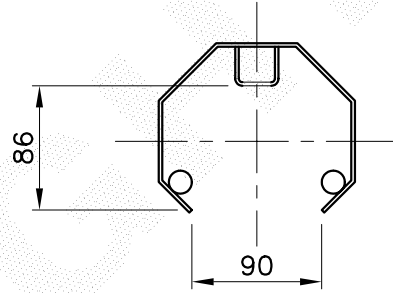
AC1542 42 O.D. SPIGOT
AC1534 34 O.D. SPIGOT

D24

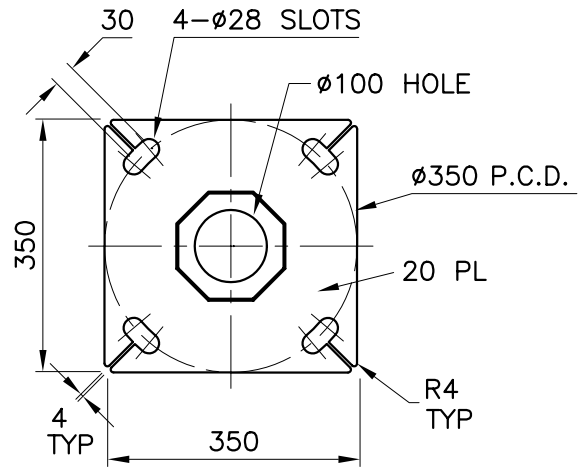
C34FD

DOOR 295 x 90
CLEAR OPENING
2- CONTROL GEAR
MOUNTING STRAPS

151 O.D.A.F.



CONTROL GEAR CLEARANCES



BASEPLATE DETAIL

NOTES:

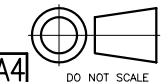
1. ALL STEEL COIL TO CONFORM TO AS/NZS 1594 GRADE HU300 U.O.N.
ALL STEEL PLATES TO CONFORM TO AS/NZS 3678 GRADE 250 U.O.N.
2. ALL STEEL BARS AND SECTIONS TO CONFORM TO AS/NZS 3679 GRADE 250 U.O.N.
3. ALL WELDS TO CONFORM TO AS/NZS 1554 PART 1
4. ALL TAPER LOCK JOINT LENGTHS ARE NOMINAL U.O.N.
5. ALL STEEL TO BE FULLY HOT DIP GALVANIZED AFTER FABRICATION
IN ACCORDANCE WITH AS/NZS 4680

REV	DATE	DESCRIPTION	BY	CHKD
1	15/10/02	CAT NO WAS SAL75F/S15	I.W.	PPA
0	4/12/98	REDRAWN FROM SL457 & UPDATED	I.W.	10

CUSTOMER/PROJECT

COPYRIGHT
THIS DOCUMENT PRODUCED
BY INGAL EPS MUST NOT
BE COPIED, TRACED,
REPRODUCED, OR LENT
WITHOUT WRITTEN CONSENT

DIMENSIONS IN MILLIMETRES



DO NOT SCALE

INGAL EPS

STREET LIGHTING
7.5m, 1.5m SINGLE OUTREACH AVENUE
BASEPLATE MOUNTED
RIVERTON DESIGN

CATALOGUE NUMBER
SAL75FSO15
DRAWING NUMBER
SAL75FSO15

CHECKED BY: *10* DATE: 9/12/98

DATE: 4/12/98

DRAWN BY: I. WHITE

SCALE: 1:40

CAD FILE No. Z:\ACAD\STD\AVENUE\SAL75F-S15