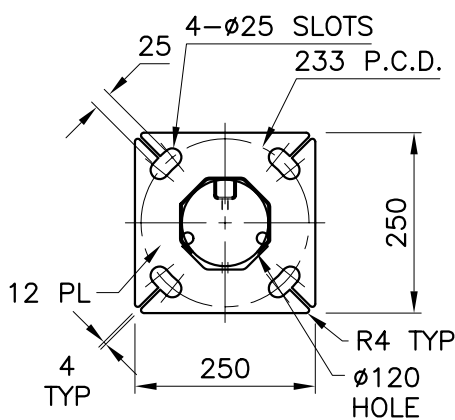


CONTROL GEAR CLEARANCES



BASEPLATE DETAIL

NOTES:

1. ALL STEEL COIL TO CONFORM TO AS/NZS 1594 GRADE HU300 U.O.N.
ALL STEEL PLATES TO CONFORM TO AS/NZS 3678 GRADE 250 U.O.N.
2. ALL STEEL BARS AND SECTIONS TO CONFORM TO AS/NZS 3679 GRADE 250 U.O.N.
3. ALL WELDS TO CONFORM TO AS/NZS 1554 PART 1
4. ALL TAPER LOCK JOINT LENGTHS ARE NOMINAL U.O.N.
5. ALL STEEL TO BE FULLY HOT DIP GALVANIZED AFTER FABRICATION IN ACCORDANCE WITH AS/NZS 4680

1	30/10/02	CAT NO WAS SAL65F/S30	I.W.	PPA
0	20/1/99	FIRST ISSUE	I.W.	PPA
REV	DATE	DESCRIPTION	BY	CHKD
CUSTOMER/PROJECT				

COPYRIGHT
THIS DOCUMENT PRODUCED
BY INGAL EPS MUST NOT
BE COPIED, TRACED,
REPRODUCED, OR LENT
WITHOUT WRITTEN CONSENT

DIMENSIONS IN MILLIMETRES

DO NOT SCALE

CHECKED BY: PPA DATE: 11/2/00

INGAL EPS

STREET LIGHTING
6.5m, 3m SINGLE OUTREACH AVENUE
BASEPLATE MOUNTED
RIVERTON DESIGN

CATALOGUE NUMBER
SAL65FSO30
DRAWING NUMBER
SAL65FSO30

SCALE: 1:30
CAD FILE No. Z:\ACAD\STD\AVENUE\SAL65F-S30

DATE: 20/1/99
DRAWN BY: I. WHITE