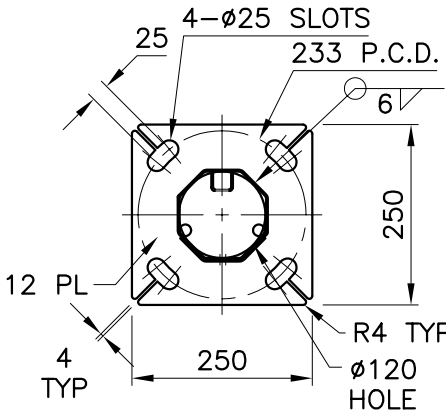


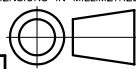
CONTROL GEAR CLEARANCES



BASEPLATE DETAIL

NOTES:

1. ALL STEEL COIL TO CONFORM TO AS/NZS 1594 GRADE HU300 U.O.N.
ALL STEEL PLATES TO CONFORM TO AS/NZS 3678 GRADE 250 U.O.N.
2. ALL STEEL BARS AND SECTIONS TO CONFORM TO AS/NZS 3679 GRADE 250 U.O.N.
3. ALL WELDS TO CONFORM TO AS/NZS 1554 PART 1
4. ALL TAPER LOCK JOINT LENGTHS ARE NOMINAL U.O.N.
5. ALL STEEL TO BE FULLY HOT DIP GALVANIZED AFTER FABRICATION
IN ACCORDANCE WITH AS/NZS 4680

				COPYRIGHT THIS DOCUMENT PRODUCED BY INGAL EPS MUST NOT BE COPIED, TRACED, REPRODUCED, OR LENT WITHOUT WRITTEN CONSENT				<h1 style="margin: 0;">INGAL EPS</h1>							
				DIMENSIONS IN MILLIMETRES 				STREET LIGHTING 5.5m, 2m SINGLE OUTREACH AVENUE BASEPLATE MOUNTED RIVERTON DESIGN				CATALOGUE NUMBER SAL55FS020 DRAWING NUMBER SAL55FS020			
0	19/1/99	FIRST ISSUE		I.W.	PEA										
REV	DATE	DESCRIPTION		BY	CHKD										
CUSTOMER/PROJECT				CHECKED BY	DATE	DATE	DRAWN BY	SCALE	CAD FILE No.						
				PEA	11/2/00	19/1/00	I. WHITE	1:25	Z:\ACAD\STD\AVENUE\SAL55F-S20						