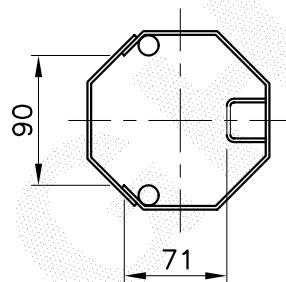


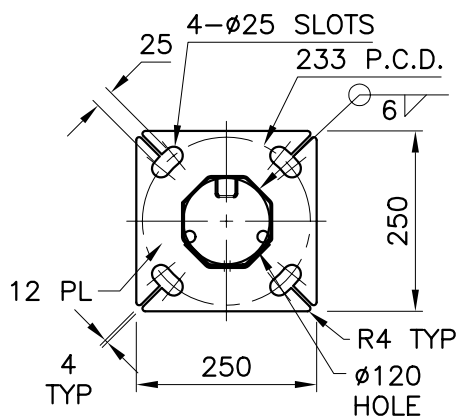
34 O.D. SPIGOT
OR 42 O.D. SPIGOT
(CUSTOMER TO ADVISE)
UPLIFT 5'

R1500

AC1542 42 O.D. SPIGOT
AC1534 34 O.D. SPIGOT



CONTROL GEAR CLEARANCES



BASEPLATE DETAIL

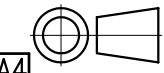
NOTES:

1. ALL STEEL COIL TO CONFORM TO AS/NZS 1594 GRADE HU300 U.O.N.
ALL STEEL PLATES TO CONFORM TO AS/NZS 3678 GRADE 250 U.O.N.
2. ALL STEEL BARS AND SECTIONS TO CONFORM TO AS/NZS 3679 GRADE 250 U.O.N.
3. ALL WELDS TO CONFORM TO AS/NZS 1554 PART 1
4. ALL TAPER LOCK JOINT LENGTHS ARE NOMINAL U.O.N.
5. ALL STEEL TO BE FULLY HOT DIP GALVANIZED AFTER FABRICATION
IN ACCORDANCE WITH AS/NZS 4680

0	7/12/98	REDRAWN FROM SL204 & UPDATED	I.W.	CHKD
REV	DATE	DESCRIPTION	BY	CHKD
CUSTOMER/PROJECT				

COPYRIGHT
THIS DOCUMENT PRODUCED
BY INGAL EPS MUST NOT
BE COPIED, TRACED,
REPRODUCED, OR LENT
WITHOUT WRITTEN CONSENT

DIMENSIONS IN MILLIMETRES



DO NOT SCALE

INGAL EPS

STREET LIGHTING
5.5m, 1.5m SINGLE OUTREACH AVENUE
BASEPLATE MOUNTED
RIVERTON DESIGN

CATALOGUE NUMBER
SAL55FSO15
DRAWING NUMBER
SAL55FSO15

CHECKED BY: *[Signature]* DATE: 9/12/98

DATE: 4/12/98

DRAWN BY: I. WHITE

SCALE: 1:25

CAD FILE No. Z:\ACAD\STD\AVENUE\SAL55F-S15