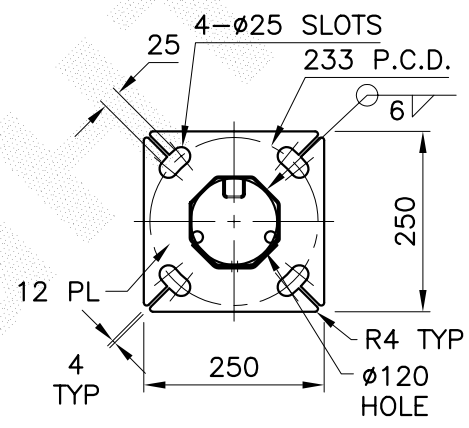
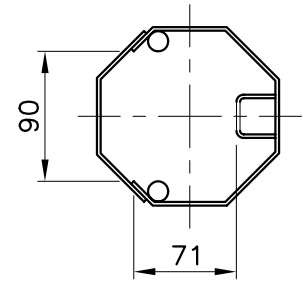


34 O.D. SPIGOT
OR 42 O.D. SPIGOT
(CUSTOMER TO ADVISE)
UPLIFT 5'



BASEPLATE DETAIL



CONTROL GEAR CLEARANCES

DOOR 295 x 90
CLEAR OPENING
2- CONTROL GEAR
MOUNTING STRAPS

NOTES:

1. ALL STEEL COIL TO CONFORM TO AS/NZS 1594 GRADE HU300 U.O.N.
ALL STEEL PLATES TO CONFORM TO AS/NZS 3678 GRADE 250 U.O.N.
2. ALL STEEL BARS AND SECTIONS TO CONFORM TO AS/NZS 3679 GRADE 250 U.O.N.
3. ALL WELDS TO CONFORM TO AS/NZS 1554 PART 1
4. ALL TAPER LOCK JOINT LENGTHS ARE NOMINAL U.O.N.
5. ALL STEEL TO BE FULLY HOT DIP GALVANIZED AFTER FABRICATION
IN ACCORDANCE WITH AS/NZS 4680

0 20/1/99 FIRST ISSUE REV DATE DESCRIPTION CUSTOMER/PROJECT			I.W. PPA BY CHKD A4 DO NOT SCALE		CHECKED BY PPA DATE 11/2/00		DATE 20/1/99 DRAWN BY I. WHITE		SCALE 1:35 CAD FILE No. Z:\ACAD\STD\AVENUE\SAL55F-D20				
COPYRIGHT THIS DOCUMENT PRODUCED BY INGAL EPS MUST NOT BE COPIED, TRACED, REPRODUCED, OR LENT WITHOUT WRITTEN CONSENT				DIMENSIONS IN MILLIMETRES				INGAL EPS STREET LIGHTING 5.5m, 2m DOUBLE OUTREACH AVENUE BASEPLATE MOUNTED RIVERTON DESIGN				CATALOGUE NUMBER SAL55FDO20 DRAWING NUMBER SAL55FDO20	