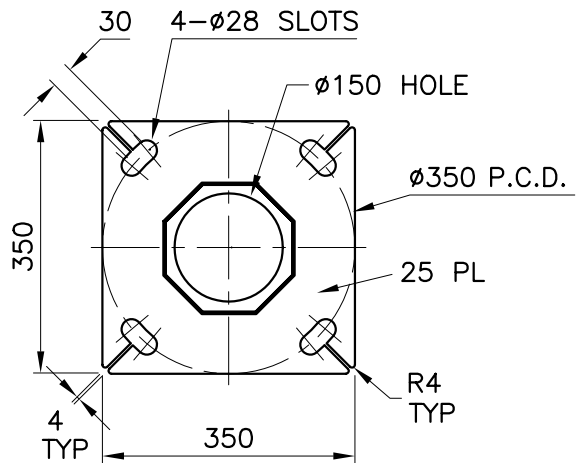


CONTROL GEAR CLEARANCES



BASEPLATE DETAIL

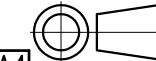
NOTES:

1. ALL STEEL COIL TO CONFORM TO AS/NZS 1594 GRADE HU300 U.O.N.
ALL STEEL PLATES TO CONFORM TO AS/NZS 3678 GRADE 250 U.O.N.
2. ALL STEEL BARS AND SECTIONS TO CONFORM TO AS/NZS 3679 GRADE 250 U.O.N.
3. ALL WELDS TO CONFORM TO AS/NZS 1554 PART 1
4. ALL TAPER LOCK JOINT LENGTHS ARE NOMINAL U.O.N.
5. ALL STEEL TO BE FULLY HOT DIP GALVANIZED AFTER FABRICATION IN ACCORDANCE WITH AS/NZS 4680

0	18/1/99	REDRAWN FROM SL204 & UPDATED	I.W.	PFA
REV	DATE	DESCRIPTION	BY	CHKD
CUSTOMER/PROJECT				

COPYRIGHT
THIS DOCUMENT PRODUCED
BY INGAL EPS MUST NOT
BE COPIED, TRACED,
REPRODUCED, OR LENT
WITHOUT WRITTEN CONSENT

DIMENSIONS IN MILLIMETRES



CHECKED BY: PFA
DATE: 11/2/00

INGAL EPS

STREET LIGHTING
12m, 3m SINGLE OUTREACH AVENUE
BASEPLATE MOUNTED
RIVERTON DESIGN

CATALOGUE NUMBER
SAL12FSO30
DRAWING NUMBER
SAL12FSO30

DRAWN BY: I. WHITE

DATE: 20/1/99

SCALE: 1:35

CAD FILE No. Z:\ACAD\STD\AVENUE\SAL12F-S30