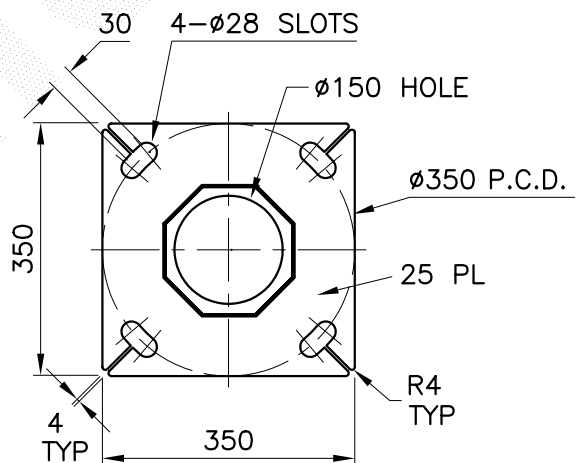


CONTROL GEAR CLEARANCES



BASEPLATE DETAIL

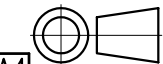
NOTES:

1. ALL STEEL COIL TO CONFORM TO AS/NZS 1594 GRADE HU300 U.O.N.
ALL STEEL PLATES TO CONFORM TO AS/NZS 3678 GRADE 250 U.O.N.
2. ALL STEEL BARS AND SECTIONS TO CONFORM TO AS/NZS 3679 GRADE 250 U.O.N.
3. ALL WELDS TO CONFORM TO AS/NZS 1554 PART 1
4. ALL TAPER LOCK JOINT LENGTHS ARE NOMINAL U.O.N.
5. ALL STEEL TO BE FULLY HOT DIP GALVANIZED AFTER FABRICATION IN ACCORDANCE WITH AS/NZS 4680

REV	DATE	DESCRIPTION	BY	CHKD
0	19/1/99	FIRST ISSUE		
CUSTOMER/PROJECT				

COPYRIGHT
THIS DOCUMENT PRODUCED
BY INGAL EPS MUST NOT
BE COPIED, TRACED,
REPRODUCED, OR LENT
WITHOUT WRITTEN CONSENT

DIMENSIONS IN MILLIMETRES



DO NOT SCALE

CHECKED BY: PFA
DATE: 11/2/00

INGAL EPS

STREET LIGHTING
12m, 1.5m SINGLE OUTREACH AVENUE
BASEPLATE MOUNTED
RIVERTON DESIGN

CATALOGUE NUMBER
SAL12FSO15
DRAWING NUMBER
SAL12FSO15

DRAWN BY: I. WHITE

DATE: 19/1/99

SCALE: 1:60

CAD FILE No. Z:\ACAD\STD\AVENUE\SAL12F-S15