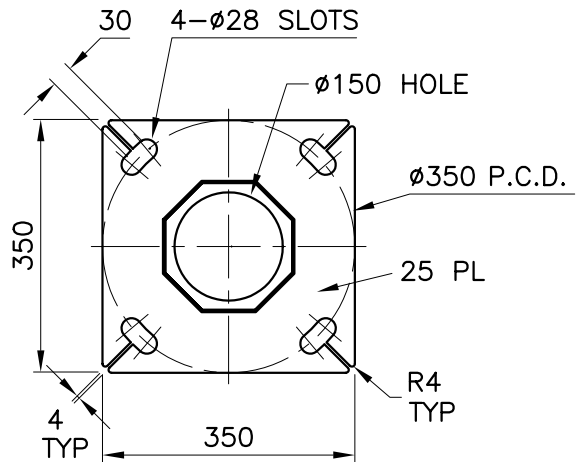


**CONTROL GEAR CLEARANCES**



**BASEPLATE DETAIL**

**NOTES:**

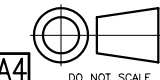
1. ALL STEEL COIL TO CONFORM TO AS/NZS 1594 GRADE HU300 U.O.N.  
ALL STEEL PLATES TO CONFORM TO AS/NZS 3678 GRADE 250 U.O.N.
2. ALL STEEL BARS AND SECTIONS TO CONFORM TO AS/NZS 3679 GRADE 250 U.O.N.
3. ALL WELDS TO CONFORM TO AS/NZS 1554 PART 1
4. ALL TAPER LOCK JOINT LENGTHS ARE NOMINAL U.O.N.
5. ALL STEEL TO BE FULLY HOT DIP GALVANIZED AFTER FABRICATION IN ACCORDANCE WITH AS/NZS 4680

REV	DATE	DESCRIPTION	BY	CHKD
0	20/1/99	FIRST ISSUE	I.W.	PFA

CUSTOMER/PROJECT

COPYRIGHT  
THIS DOCUMENT PRODUCED  
BY INGAL EPS MUST NOT  
BE COPIED, TRACED,  
REPRODUCED, OR LENT  
WITHOUT WRITTEN CONSENT

DIMENSIONS IN MILLIMETRES



DO NOT SCALE

**INGAL EPS**

**STREET LIGHTING**  
10.5m, 3m SINGLE OUTREACH AVENUE  
BASEPLATE MOUNTED  
RIVERTON DESIGN

CATALOGUE NUMBER  
**SAL105FS030**  
DRAWING NUMBER  
**SAL105FS030**

CHECKED BY: PFA DATE: 11/2/00

DATE: 19/1/99

DRAWN BY: I. WHITE

SCALE: 1:60

CAD FILE No. Z:\ACAD\STD\AVENUE\SAL105F-S30