

34 O.D. SPIGOT
OR 42 O.D. SPIGOT
(CUSTOMER TO ADVISE)
UPLIFT 5'

R1500

AC2042
42 O.D. SPIGOT

AC2034
34 O.D. SPIGOT

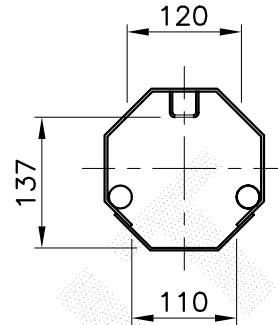
D24

C45

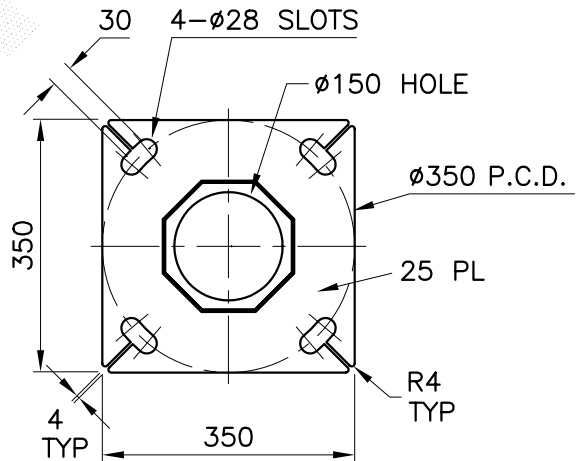
DOOR 410 x 110
CLEAR OPENING
2- CONTROL GEAR
MOUNTING STRAPS

B21FD

182 O.D.A.F.



CONTROL GEAR
CLEARANCES



BASEPLATE DETAIL

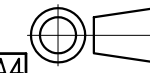
NOTES:

1. ALL STEEL COIL TO CONFORM TO AS/NZS 1594 GRADE HU300 U.O.N.
ALL STEEL PLATES TO CONFORM TO AS/NZS 3678 GRADE 250 U.O.N.
2. ALL STEEL BARS AND SECTIONS TO CONFORM TO AS/NZS 3679 GRADE 250 U.O.N.
3. ALL WELDS TO CONFORM TO AS/NZS 1554 PART 1
4. ALL TAPER LOCK JOINT LENGTHS ARE NOMINAL U.O.N.
5. ALL STEEL TO BE FULLY HOT DIP GALVANIZED AFTER FABRICATION
IN ACCORDANCE WITH AS/NZS 4680

0	7/12/98	REDRAWN FROM SL204 & UPDATED	I.W.	PPA
REV	DATE	DESCRIPTION	BY	CHKD
CUSTOMER/PROJECT				

COPYRIGHT
THIS DOCUMENT PRODUCED
BY INGAL EPS MUST NOT
BE COPIED, TRACED,
REPRODUCED, OR LENT
WITHOUT WRITTEN CONSENT

DIMENSIONS IN MILLIMETRES



DO NOT SCALE

CHECKED BY DATE 9/12/98

INGAL EPS

STREET LIGHTING
10.5m, 2m SINGLE OUTREACH AVENUE
BASEPLATE MOUNTED
RIVERTON DESIGN

CATALOGUE NUMBER
SAL105FS020
DRAWING NUMBER
SAL105FS020

DATE 9/12/98

DATE 7/12/98

DRAWN BY I. WHITE

SCALE 1:50

CAD FILE No. Z:\ACAD\STD\AVENUE\SAL105F-S20