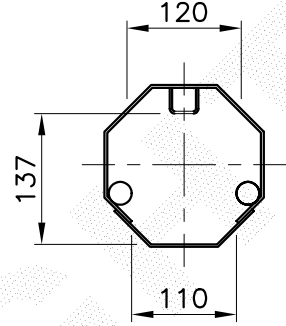
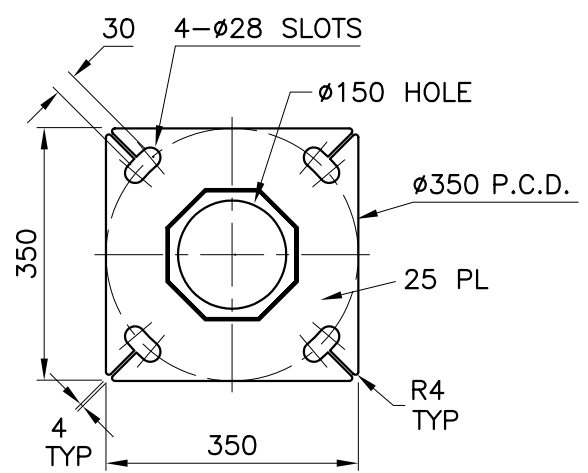


34 O.D. SPIGOT  
OR 42 O.D. SPIGOT  
(CUSTOMER TO ADVISE)  
UPLIFT 5"



CONTROL GEAR  
CLEARANCES



BASEPLATE DETAIL

**NOTES:**

1. ALL STEEL COIL TO CONFORM TO AS/NZS 1594 GRADE HU300 U.O.N.  
ALL STEEL PLATES TO CONFORM TO AS/NZS 3678 GRADE 250 U.O.N.
2. ALL STEEL BARS AND SECTIONS TO CONFORM TO AS/NZS 3679 GRADE 250 U.O.N.
3. ALL WELDS TO CONFORM TO AS/NZS 1554 PART 1
4. ALL TAPER LOCK JOINT LENGTHS ARE NOMINAL U.O.N.
5. ALL STEEL TO BE FULLY HOT DIP GALVANIZED AFTER FABRICATION  
IN ACCORDANCE WITH AS/NZS 4680

REV	DATE	DESCRIPTION	BY	CHKD
0	7/12/98	REDRAWN FROM SL542 & UPDATED	I.W.	CH
CUSTOMER/PROJECT				

COPYRIGHT  
THIS DOCUMENT PRODUCED  
BY INGAL EPS MUST NOT  
BE COPIED, TRACED,  
REPRODUCED, OR LENT  
WITHOUT WRITTEN CONSENT

DIMENSIONS IN MILLIMETRES

DO NOT SCALE

CHECKED BY: *CH* DATE: 10/12/98

**INGAL EPS**

STREET LIGHTING  
10.5m, 1.5m SINGLE OUTREACH AVENUE  
BASEPLATE MOUNTED  
RIVERTON DESIGN

CATALOGUE NUMBER  
SAL105FS015

DRAWING NUMBER  
SAL105FS015

SCALE: 1:50

CAD FILE No.  
Z:\ACAD\STD\AVENUE\SAL105F-S15

DRAWN BY: I. WHITE DATE: 7/12/98