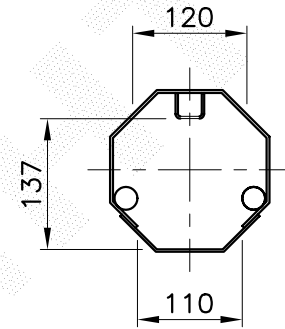
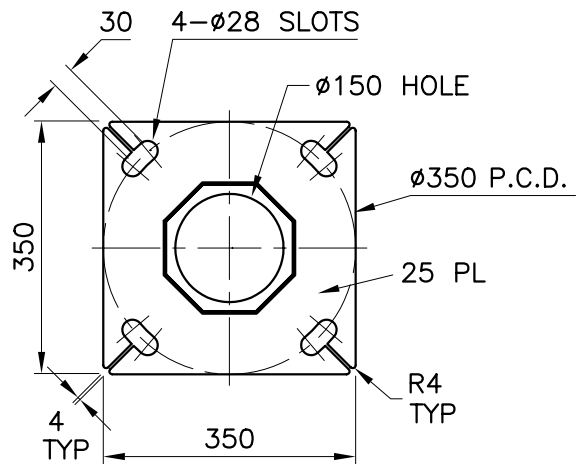


48 O.D. SPIGOT OR  
SPIGOT TO SUIT  
CUSTOMER LUMINAIRE  
UPLIFT 5°




CONTROL GEAR  
CLEARANCES



BASEPLATE DETAIL

**NOTES:**

1. ALL STEEL COIL TO CONFORM TO AS/NZS 1594 GRADE HU300 U.O.N.  
ALL STEEL PLATES TO CONFORM TO AS/NZS 3678 GRADE 250 U.O.N.
2. ALL STEEL BARS AND SECTIONS TO CONFORM TO AS/NZS 3679 GRADE 250 U.O.N.
3. ALL WELDS TO CONFORM TO AS/NZS 1554 PART 1
4. ALL TAPER LOCK JOINT LENGTHS ARE NOMINAL U.O.N.
5. ALL STEEL TO BE FULLY HOT DIP GALVANIZED AFTER FABRICATION  
IN ACCORDANCE WITH AS/NZS 4680

			COPYRIGHT THIS DOCUMENT PRODUCED BY INGAL EPS MUST NOT BE COPIED, TRACED, REPRODUCED, OR LENT WITHOUT WRITTEN CONSENT			<h1>INGAL EPS</h1>					
			DIMENSIONS IN MILLIMETRES  DO NOT SCALE			STREET LIGHTING 10.5m, 3m DOUBLE OUTREACH AVENUE BASEPLATE MOUNTED RIVERTON DESIGN			CATALOGUE NUMBER SAL105FDO30 DRAWING NUMBER SAL105FDO30		
0	20/1/99	FIRST ISSUE	I.W.	PPA		CHECKED BY	DATE	DRAWN BY	SCALE	CAD FILE No.	
REV	DATE	DESCRIPTION	BY	CHKD	A4	PPA	11/2/00	I. WHITE	1:60	Z:\ACAD\STD\AVENUE\SAL105F-D30	
CUSTOMER/PROJECT											