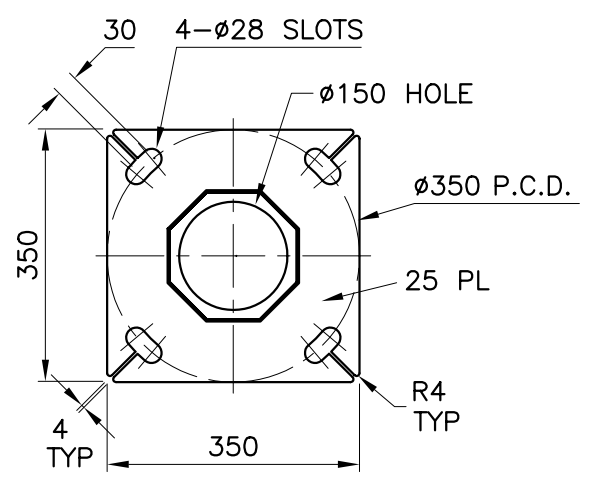


CONTROL GEAR CLEARANCES



BASEPLATE DETAIL

NOTES:

1. ALL STEEL COIL TO CONFORM TO AS/NZS 1594 GRADE HU300 U.O.N.
ALL STEEL PLATES TO CONFORM TO AS/NZS 3678 GRADE 250 U.O.N.
2. ALL STEEL BARS AND SECTIONS TO CONFORM TO AS/NZS 3679 GRADE 250 U.O.N.
3. ALL WELDS TO CONFORM TO AS/NZS 1554 PART 1
4. ALL TAPER LOCK JOINT LENGTHS ARE NOMINAL U.O.N.
5. ALL STEEL TO BE FULLY HOT DIP GALVANIZED AFTER FABRICATION
IN ACCORDANCE WITH AS/NZS 4680

COPYRIGHT THIS DOCUMENT PRODUCED BY INGAL EPS MUST NOT BE COPIED, TRACED, REPRODUCED, OR LENT WITHOUT WRITTEN CONSENT			
DIMENSIONS IN MILLIMETRES			
DO NOT SCALE			
0 REV CUSTOMER/PROJECT	7/12/98 DATE	REDRAWN FROM SL204 & UPDATED DESCRIPTION	I.W. BY CHKD
CHECKED BY 		DATE 9/12/98	DRAWN BY I. WHITE

INGAL EPS

STREET LIGHTING
10.5m, 2m DOUBLE OUTREACH AVENUE
BASEPLATE MOUNTED
RIVERTON DESIGN

CATALOGUE NUMBER
SAL105FDO20
DRAWING NUMBER
SAL105FDO20

SCALE
1:50

CAD FILE No.
Z:\ACAD\STD\AVENUE\SAL105F-D20