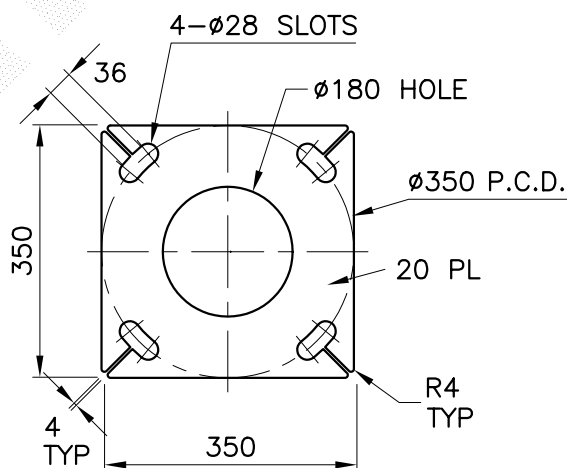


**CONTROL GEAR CLEARANCES**  
1:10



**VIEW A**  
SCALE 1:20  
BASEPLATE FOR 4- M24 RAGBOLTS

**NOTES:**

1. ALL STEEL COIL TO CONFORM TO AS/NZS 1594 GRADE HU300 U.O.N. ALL STEEL PLATES TO CONFORM TO AS/NZS 3678 GRADE 250 U.O.N.
2. ALL STEEL BARS AND SECTIONS TO CONFORM TO AS/NZS 3679 GRADE 250 U.O.N.
3. ALL WELDS TO CONFORM TO AS/NZS 1554 PART 1
4. ALL TAPER LOCK JOINT LENGTHS ARE NOMINAL U.O.N.
5. ALL STEEL TO BE FULLY HOT DIP GALVANIZED AFTER FABRICATION IN ACCORDANCE WITH AS/NZS 4680

MAXIMUM TOP WEIGHT INCLUSIVE OF CROSSARMS AND LUMINAIRES = 115 Kg

REV	DATE	DESCRIPTION	BY	CHKD
2	28/10/03	DOOR MOUNTING DETAILS CHANGED	PB	PPA
1	19/10/99	BP, MOUNTING & APRON SECURING CHANGED	DJG	PPA
0	19/5/99	RATIONALISED DESIGN	IW	PPA

CUSTOMER/PROJECT

COPYRIGHT  
THIS DOCUMENT PRODUCED BY INGAL EPS MUST NOT BE COPIED, TRACED, REPRODUCED, OR LENT WITHOUT WRITTEN CONSENT

DIMENSIONS IN MILLIMETRES

DO NOT SCALE

CHECKED BY: *[Signature]* DATE: 25/6/99

**INGAL EPS**

LOWERING SYSTEMS  
9m MEDIUM DUTY PARK SEESAW  
BASEPLATE MOUNTED  
RIVERTON DESIGN

CATALOGUE NUMBER  
HPM9F  
DRAWING NUMBER  
HPM9F

SCALE: 1:50  
CAD FILE No. Z:\ACAD\STD\PARK\HPM9F-ND

DATE: 19/5/99  
DRAWN BY: I. WHITE