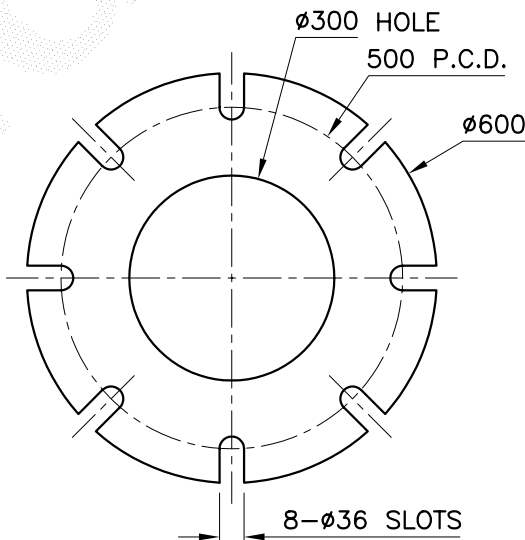


CONTROL GEAR CLEARANCES

1:10



VIEW (A)
SCALE 1:20
BASEPLATE FOR 8- M30 RAGBOLTS

NOTES:

1. ALL STEEL COIL TO CONFORM TO AS/NZS 1594 GRADE HU300 U.O.N.
ALL STEEL PLATES TO CONFORM TO AS/NZS 3678 GRADE 250 U.O.N.
2. ALL STEEL BARS AND SECTIONS TO CONFORM TO AS/NZS 3679 GRADE 250 U.O.N.
3. ALL WELDS TO CONFORM TO AS/NZS 1554 PART 1
4. ALL TAPER LOCK JOINT LENGTHS ARE NOMINAL U.O.N.
5. ALL STEEL TO BE FULLY HOT DIP GALVANIZED AFTER FABRICATION IN ACCORDANCE WITH AS/NZS 4680

MAXIMUM TOP WEIGHT INCLUSIVE OF CROSSARMS AND LUMINAIRES = 90 Kg

			COPYRIGHT THIS DOCUMENT PRODUCED BY INGAL EPS MUST NOT BE COPIED, TRACED, REPRODUCED, OR LENT WITHOUT WRITTEN CONSENT			<h1>INGAL EPS</h1>					
			DIMENSIONS IN MILLIMETRES 			LOWERING SYSTEMS 20m MEDIUM DUTY PARK SEESAW BASEPLATE MOUNTED RIVERTON DESIGN			CATALOGUE NUMBER HPM20F DRAWING NUMBER HPM20F		
2	30/10/03	DOOR MOUNTING DETAILS CHANGED	PB	PPA		CHECKED BY: DATE: 4/6/99			SCALE: 1:95 CAD FILE No. Z:\ACAD\STD\PARK\HPM20F-ND		
1	19/10/99	MOUNTING & APRON SECURING CHANGED	DJC	PPA		DRAWN BY: I. WHITE					
0	26/5/99	RATIONALISED DESIGN	IW								
REV	DATE	DESCRIPTION	BY	CHKD							
CUSTOMER/PROJECT											