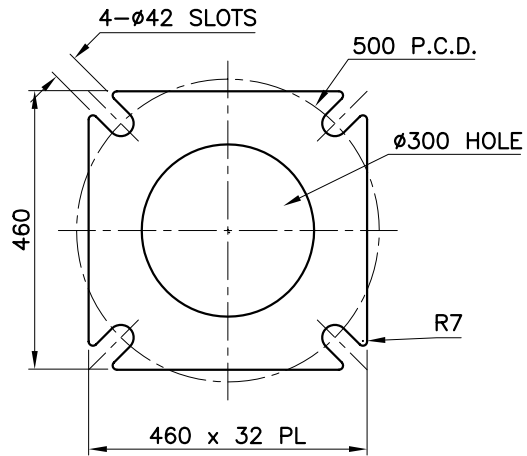


**CONTROL GEAR CLEARANCES**  
1:10



**VIEW A**  
SCALE 1:20  
BASEPLATE FOR 4- M36 RAGBOLTS

**NOTES:**

1. ALL STEEL COIL TO CONFORM TO AS/NZS 1594 GRADE HU300 U.O.N. ALL STEEL PLATES TO CONFORM TO AS/NZS 3678 GRADE 250 U.O.N.
2. ALL STEEL BARS AND SECTIONS TO CONFORM TO AS/NZS 3679 GRADE 250 U.O.N.
3. ALL WELDS TO CONFORM TO AS/NZS 1554 PART 1
4. ALL TAPER LOCK JOINT LENGTHS ARE NOMINAL U.O.N.
5. ALL STEEL TO BE FULLY HOT DIP GALVANIZED AFTER FABRICATION IN ACCORDANCE WITH AS/NZS 4680

MAXIMUM TOP WEIGHT INCLUSIVE OF CROSSARMS AND LUMINAIRES = 90 Kg

				COPYRIGHT THIS DOCUMENT PRODUCED BY IN GAL EPS MUST NOT BE COPIED, TRACED, REPRODUCED, OR LENT WITHOUT WRITTEN CONSENT		<h1>INGAL EPS</h1>		LOWERING SYSTEMS 20m LIGHT DUTY PARK SEESAW BASEPLATE MOUNTED RIVERTON DESIGN		CATALOGUE NUMBER <b>HPL20F</b>				
				DIMENSIONS IN MILLIMETRES						DRAWING NUMBER <b>HPL20F</b>				
3	28/10/03	DOOR MOUNTING DETAILS CHANGED	PB	PPA	DO NOT SCALE		DATE 25/5/99		DRAWN BY I. WHITE		SCALE 1:100		CAD FILE No. Z:\ACAD\STD\PARK\HPL20F-ND	
2	02/08/01	BASEPLATE WAS 28 THK	IW	PPA										
1	19/10/99	GEAR MOUNTING & APRON SECURING CHANGED	DJG	PPA										
0	26/5/99	RATIONALISED DESIGN	IW	PPA										
REV	DATE	DESCRIPTION	BY	CHKD										
CUSTOMER/PROJECT														