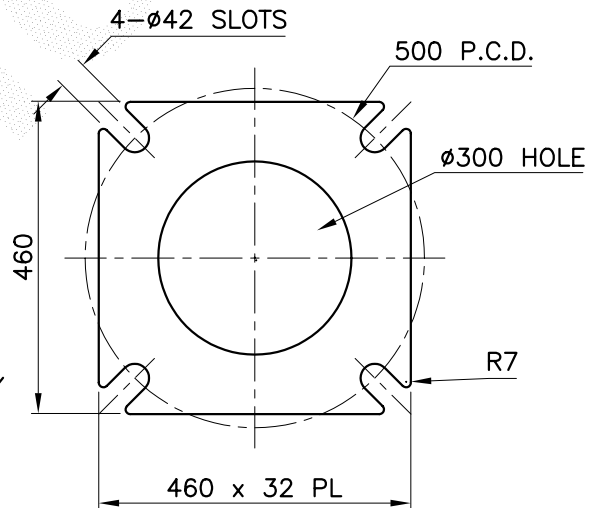


CONTROL GEAR CLEARANCES
1:10



VIEW A
SCALE 1:20
BASEPLATE FOR 4- M36 RAGBOLTS

NOTES:

1. ALL STEEL COIL TO CONFORM TO AS/NZS 1594 GRADE HU300 U.O.N.
ALL STEEL PLATES TO CONFORM TO AS/NZS 3678 GRADE 250 U.O.N.
2. ALL STEEL BARS AND SECTIONS TO CONFORM TO AS/NZS 3679 GRADE 250 U.O.N.
3. ALL WELDS TO CONFORM TO AS/NZS 1554 PART 1
4. ALL TAPER LOCK JOINT LENGTHS ARE NOMINAL U.O.N.
5. ALL STEEL TO BE FULLY HOT DIP GALVANIZED AFTER FABRICATION IN ACCORDANCE WITH AS/NZS 4680

MAXIMUM TOP WEIGHT INCLUSIVE OF CROSSARMS AND LUMINAIRES = 120 Kg

				COPYRIGHT THIS DOCUMENT PRODUCED BY INGAL EPS MUST NOT BE COPIED, TRACED, REPRODUCED, OR LENT WITHOUT WRITTEN CONSENT		<h1 style="text-align: center;">INGAL EPS</h1>		LOWERING SYSTEMS 18m LIGHT DUTY PARK SEESAW BASEPLATE MOUNTED RIVERTON DESIGN		CATALOGUE NUMBER HPL18F	
				DIMENSIONS IN MILLIMETRES 						DRAWING NUMBER HPL18F	
3	28/10/03	DOOR MOUNTING DETAILS CHANGED	P.B.	PPA							
2	11/07/01	BASEPLATE THICKNESS WAS 28mm.	S.M.	PPA							
1	19/10/99	GEAR MOUNTING & APRON SECURING CHANGED	D.J.G.	PPA							
0	21/5/99	RATIONALISED DESIGN	I.W.	PPA							
REV	DATE	DESCRIPTION	BY	CHKD							
CUSTOMER/PROJECT				CHECKED BY	DATE	DATE	DRAWN BY	SCALE	CAD FILE No.		
				<i>Co</i>	25/6/99	21/5/99	I. WHITE	1:85	Z:\ACAD\STD\PARK\HPL18F-ND		