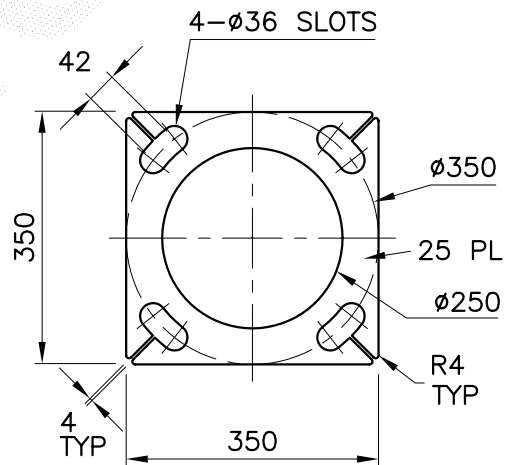


CONTROL GEAR CLEARANCES
1:10



VIEW (A)
SCALE 1:20
BASEPLATE FOR 4- M30 RAGBOLTS

NOTES:

1. ALL STEEL COIL TO CONFORM TO AS/NZS 1594 GRADE HU300 U.O.N.
ALL STEEL PLATES TO CONFORM TO AS/NZS 3678 GRADE 250 U.O.N.
2. ALL STEEL BARS AND SECTIONS TO CONFORM TO AS/NZS 3679 GRADE 250 U.O.N.
3. ALL WELDS TO CONFORM TO AS/NZS 1554 PART 1
4. ALL TAPER LOCK JOINT LENGTHS ARE NOMINAL U.O.N.
5. ALL STEEL TO BE FULLY HOT DIP GALVANIZED AFTER FABRICATION
IN ACCORDANCE WITH AS/NZS 4680

MAXIMUM TOP WEIGHT INCLUSIVE OF
CROSSARMS AND LUMINAIRES = 70 Kg

				COPYRIGHT THIS DOCUMENT PRODUCED BY INGAL EPS MUST NOT BE COPIED, TRACED, REPRODUCED, OR LENT WITHOUT WRITTEN CONSENT		<h1>INGAL EPS</h1>	
				DIMENSIONS IN MILLIMETRES 		LOWERING SYSTEMS 12m HEAVY DUTY PARK SEESAW BASEPLATE MOUNTED RIVERTON DESIGN	
						CATALOGUE NUMBER HPH12F DRAWING NUMBER HPH12F	
2	3/11/03	DOOR MOUNTING DETAILS CHANGED	PB	PFA			
1	19/10/99	BP, MOUNTING & APRON SECURING DETS CHANGED	DJG				
0	18/5/99	FIRST ISSUE	IW				
REV	DATE	DESCRIPTION	BY	CHKD			
CUSTOMER/PROJECT				CHECKED BY 	DATE 25/6/99	DRAWN BY I. WHITE	SCALE 1:60
						CAD FILE No. Z:\ACAD\STD\PARK\HPH12F-ND	