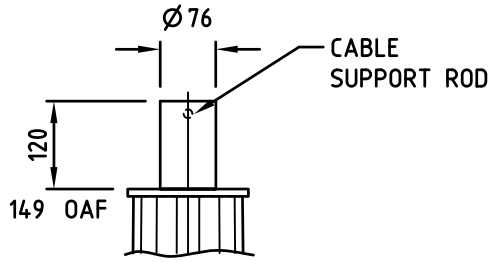
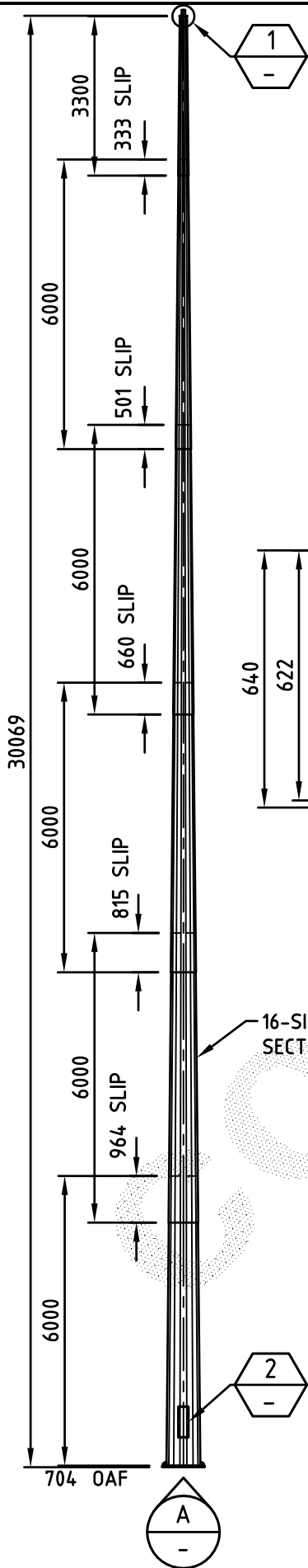
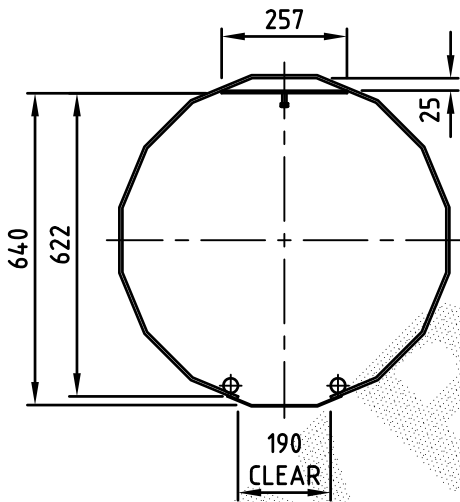


FOR GENERAL NOTES APPLICABLE TO THIS DRAWING REFER DRAWING GA1

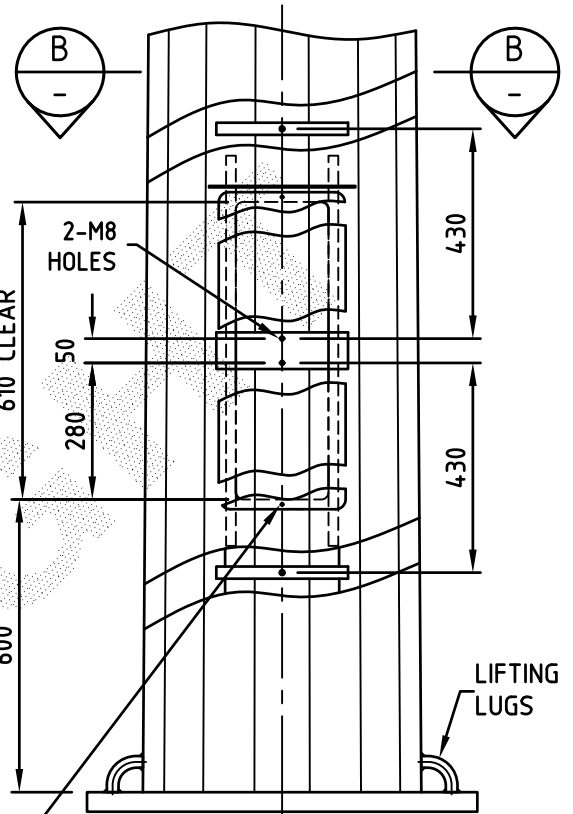


DETAIL 1
SCALE 1:10

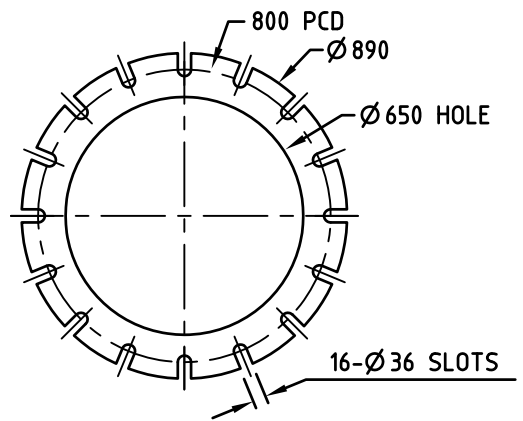


SECTION B
SCALE 1:15

2-M6 HOLES TO SUIT DOOR RETAINING BUTTON HEAD SCREWS



DETAIL 2
SCALE NTS



VIEW A
SCALE 1:20

BASEPLATE FOR 16- M30 FOUNDATION BOLTS

FOR ASSEMBLY & DETAIL REFER AD2013

PRODUCT WEIGHT 2055 kg		CUSTOMER APPROVAL DATE		COPYRIGHT THIS DOCUMENT PRODUCED BY IN GAL EPS MUST NOT BE COPIED, TRACED, REPRODUCED, OR LENT WITHOUT WRITTEN CONSENT		INGAL EPS		PRODUCT NUMBER FTM30F	
				DIMENSIONS IN MILLIMETRES		FLOODLIGHTING TRACK 30m 76 OD x 120 LONG SPIGOT		DRAWING NUMBER GA95	
0 26/06/07 FIRST ISSUE I.W.				CHECKED BY DATE 26/06/07		DATE 26/06/07		DRAWN BY I. WHITE	
REV DATE DESCRIPTION BY CHKD		A4 DO NOT SCALE		CHECKED BY DATE 26/06/07		DATE 26/06/07		SCALE 1:130	
CUSTOMER NAME / PROJECT								CAD FILE No GA95	