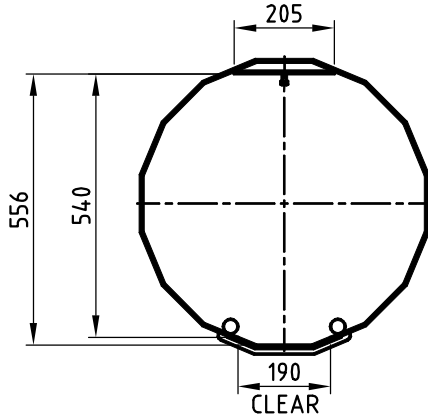
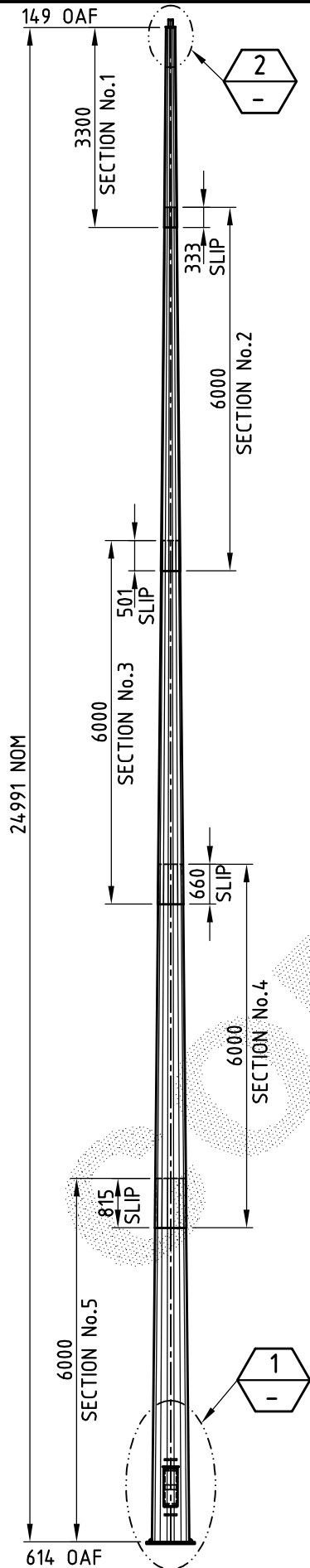
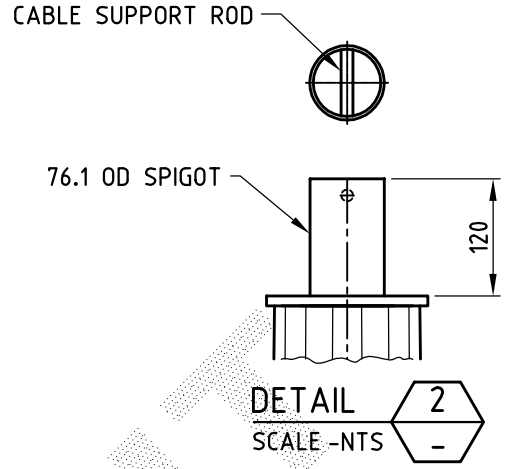


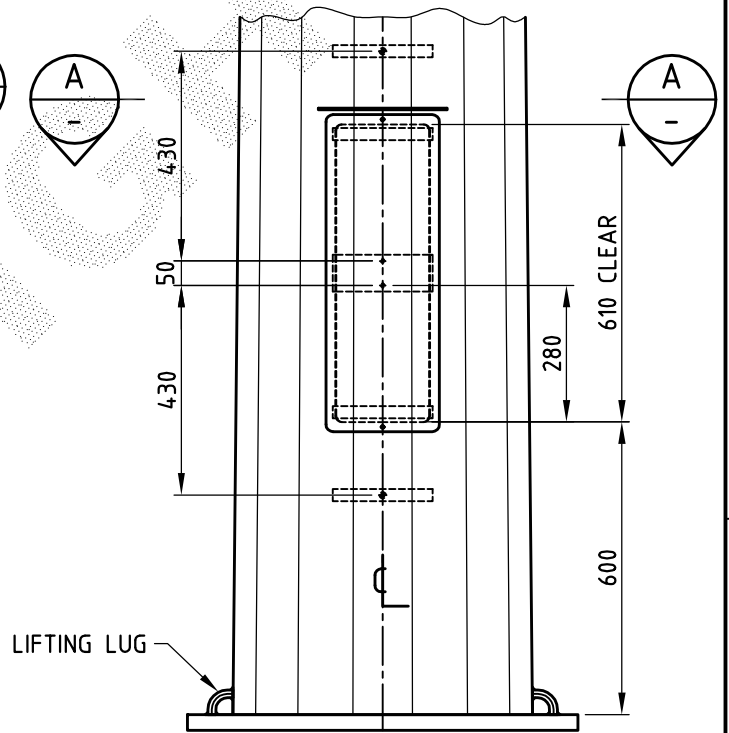
FOR GENERAL NOTES APPLICABLE TO THIS DRAWING REFER DRAWING GA1



SECTION A  
SCALE -NTS



DETAIL 2  
SCALE -NTS

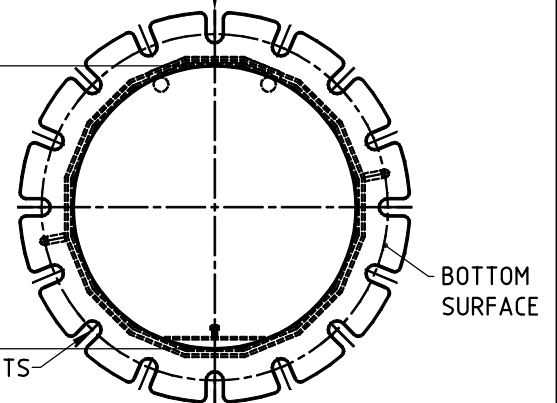


LIFTING LUG

DOOR

AVAILABLE FOR CABLE ACCESS

16 OFF  $\varnothing 36$  SLOTS TO SUIT M30 FOUNDATION BOLTS ON 710 PCD.  
BASE PLATE  $\varnothing 800$  OD



DETAIL 1  
SCALE -NTS

FOR ASSEMBLY & DETAIL REFER AD3482

PRODUCT WEIGHT 14.14 kg	CUSTOMER APPROVAL DATE	COPYRIGHT THIS DOCUMENT PRODUCED BY INGal EPS MUST NOT BE COPIED, TRACED, REPRODUCED, OR LENT WITHOUT WRITTEN CONSENT	<b>INGAL EPS</b>	PRODUCT NUMBER FTM25F
DIMENSIONS IN MILLIMETRES		GENERAL ARRANGEMENT OF FLOODLIGHTING 25m MEDIUM DUTY TRACK RANGE WITH 610 x 190 CLEAR ACCESS DOOR BASE PLATE MOUNTED		DRAWING NUMBER GA91
0	07/08/08	ISSUED FOR CONSTRUCTION	S.K.P	SHEET NUMBER
REV	DATE	DESCRIPTION	BY	CHKD
CUSTOMER NAME / PROJECT		CHECKED BY	DATE	SCALE
			07/08/08	1:100
		DATE	07/08/08	CAD FILE No
		DRAWN BY	S.K.PONNAMBATH	GA91