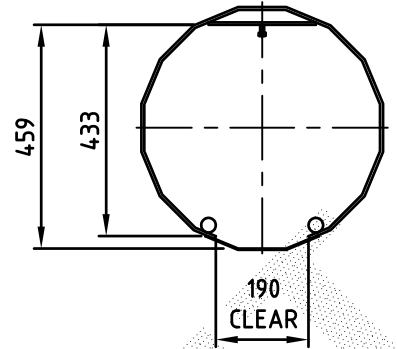
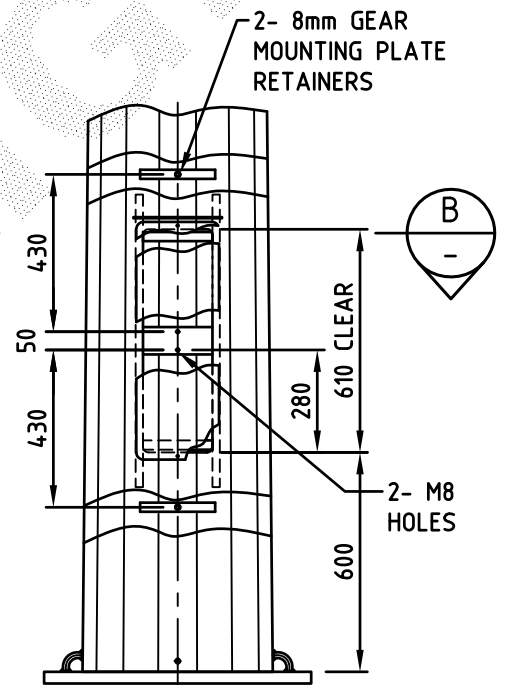


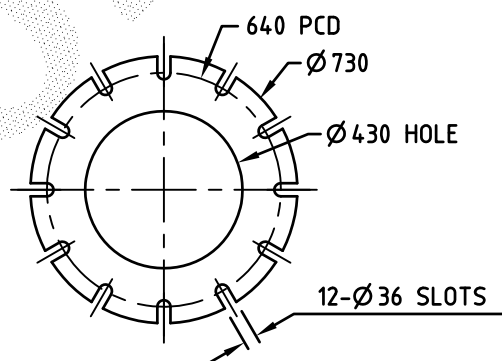
DETAIL 2
SCALE 1:10



SECTION B
SCALE 1:15



DETAIL 1
SCALE 1:20



VIEW A
SCALE 1:10

BASE PLATE FOR 12-M30 FOUNDATION BOLTS

FOR ASSEMBLY & DETAIL REFER AD1847

PRODUCT WEIGHT 973 kg		CUSTOMER APPROVAL DATE		COPYRIGHT THIS DOCUMENT PRODUCED BY INGAL EPS MUST NOT BE COPIED, TRACED, REPRODUCED, OR LENT WITHOUT WRITTEN CONSENT		INGAL EPS		PRODUCT NUMBER FTM20F	
				DIMENSIONS IN MILLIMETRES		FLOODLIGHTING 20m TAPERED 16 SIDED 76 OD x 120 SPIGOT BASE PLATE MOUNTED		DRAWING NUMBER GA89	
0 24/02/12 FIRST ISSUE IW				A4 DO NOT SCALE				SHEET NUMBER	
REV DATE DESCRIPTION BY CHKD				CHECKED BY DATE 22/05/07		DATE 22/05/07		DRAWN BY P BENTZEN	
CUSTOMER NAME / PROJECT								SCALE 1:90 CAD FILE No GA89	