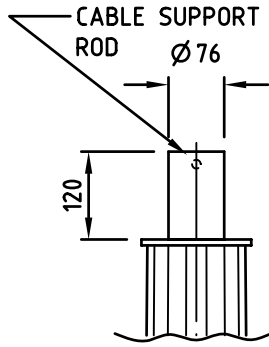
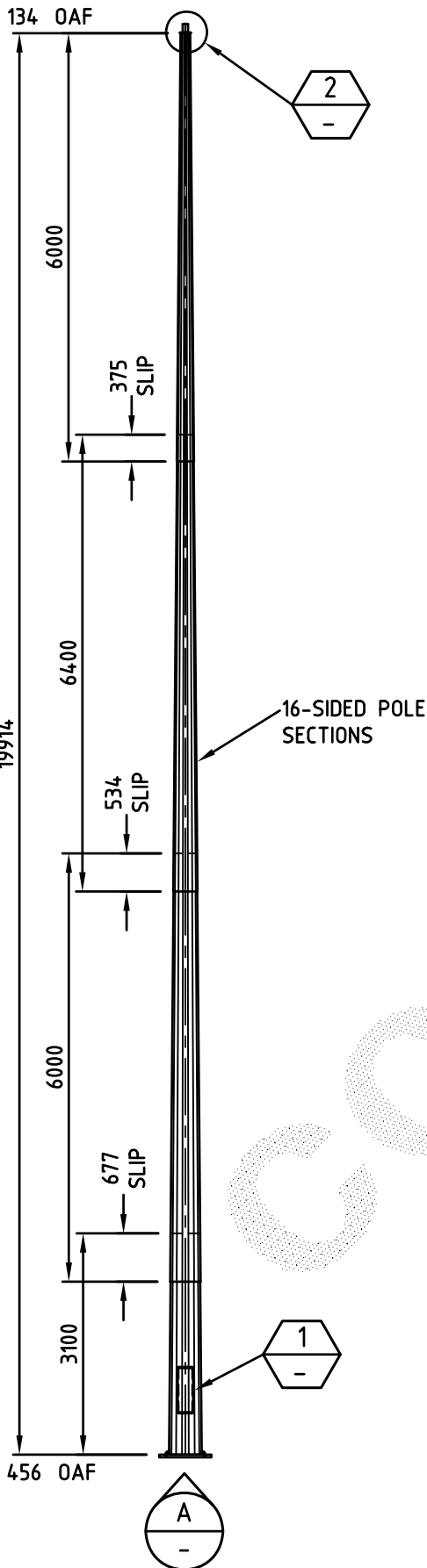
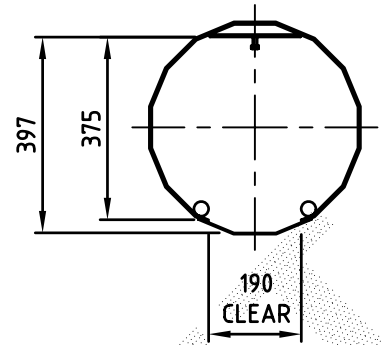


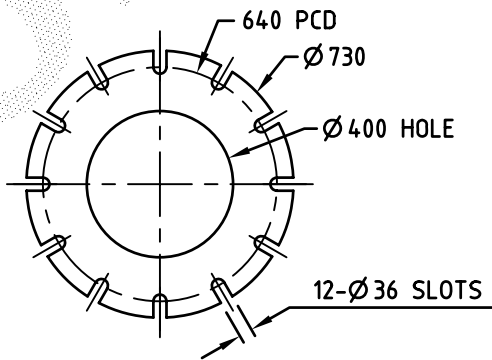
FOR GENERAL NOTES APPLICABLE TO THIS DRAWING REFER DRAWING GA1



DETAIL 2
SCALE 1:10

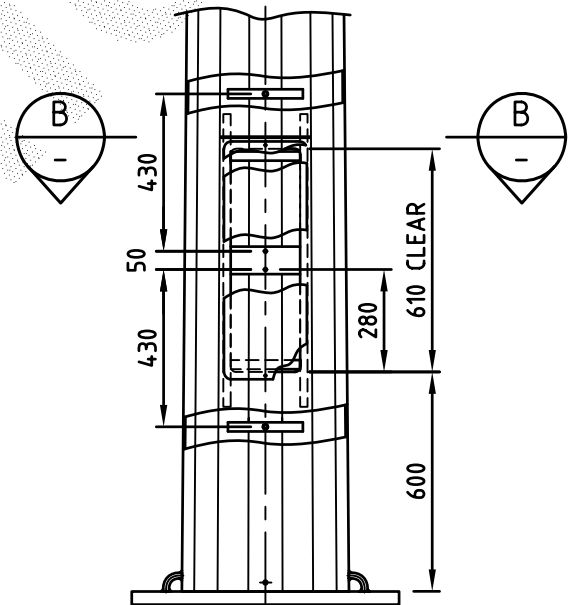


SECTION B
SCALE 1:15



VIEW A
SCALE 1:10

BASEPLATE FOR 12-M30 RAGBOLTS



DETAIL 1
SCALE 1:20

FOR ASSEMBLY & DETAIL REFER AD2428

PRODUCT WEIGHT 880 kg		CUSTOMER APPROVAL DATE		COPYRIGHT THIS DOCUMENT PRODUCED BY INGal EPS MUST NOT BE COPIED, TRACED, REPRODUCED, OR LENT WITHOUT WRITTEN CONSENT		INGAL EPS		PRODUCT NUMBER FTL20F	
				DIMENSIONS IN MILLIMETRES		FLOODLIGHTING TRACK 20m 76 OD x 120 SPIGOT		DRAWING NUMBER GA88	
0 17/10/07 FIRST ISSUE IW				A4 DO NOT SCALE				SHEET NUMBER	
REV DATE DESCRIPTION BY CHKD		CHECKED BY DATE		DATE		DRAWN BY		SCALE 1:90 CAD FILE No GA88	
CUSTOMER NAME / PROJECT		17/10/07		11/10/07		I. WHITE			