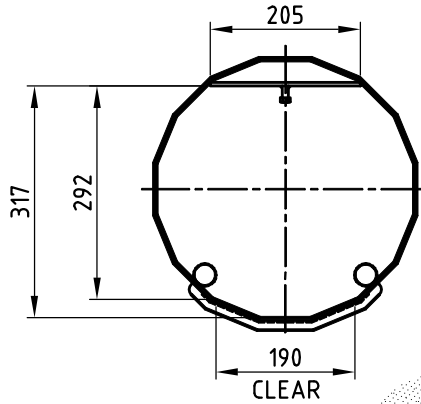
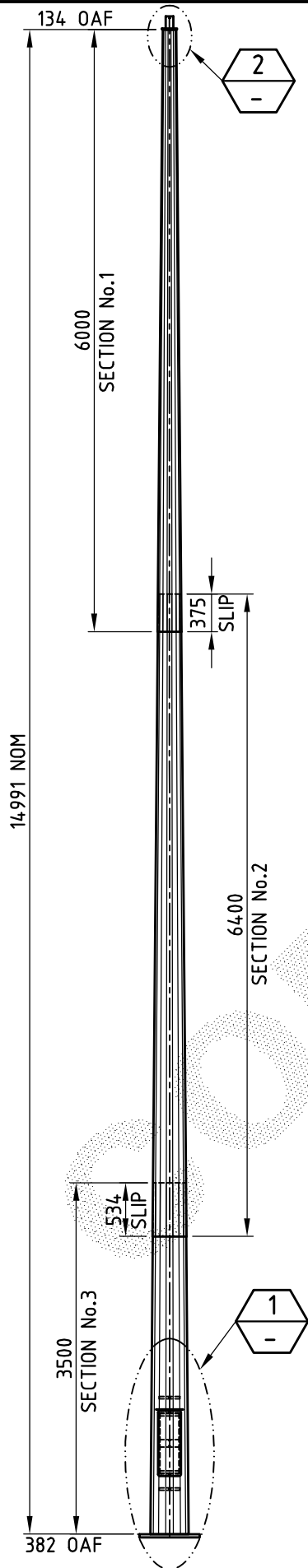
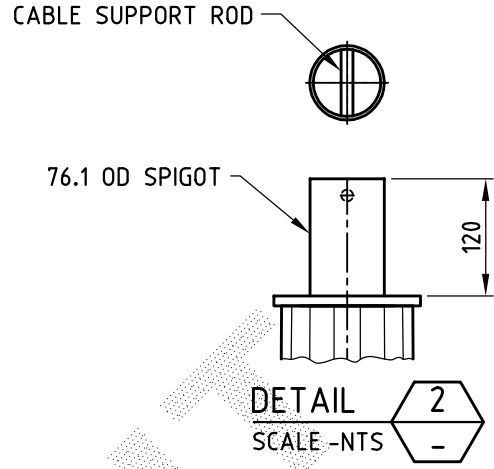


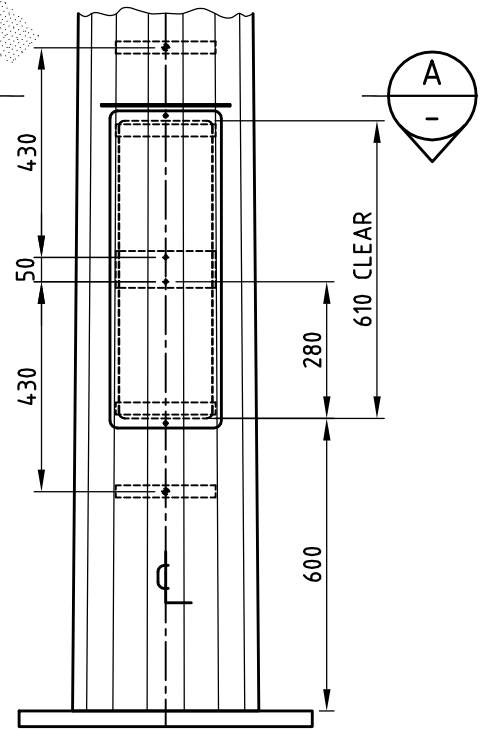
FOR GENERAL NOTES APPLICABLE TO THIS DRAWING REFER DRAWING GA1



SECTION A  
SCALE -NTS

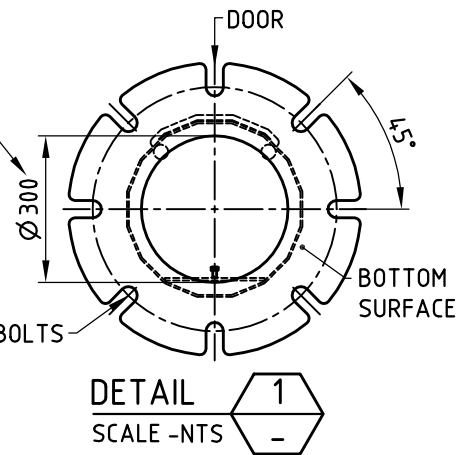


DETAIL 2  
SCALE -NTS



AVAILABLE FOR CABLE ACCESS

8 OFF  $\varnothing 36$  SLOTS TO SUIT M30 FOUNDATION BOLTS ON 500 PCD.  
BASE PLATE  $\varnothing 600$  OD



DETAIL 1  
SCALE -NTS

FOR ASSEMBLY & DETAIL REFER AD3481

<b>PRODUCT WEIGHT</b> 4.84 kg		<b>CUSTOMER APPROVAL</b> DATE		COPYRIGHT THIS DOCUMENT PRODUCED BY INGAL EPS MUST NOT BE COPIED, TRACED, REPRODUCED, OR LENT WITHOUT WRITTEN CONSENT		<b>INGAL EPS</b>		<b>PRODUCT NUMBER</b> FTM15F	
				DIMENSIONS IN MILLIMETRES		<b>GENERAL ARRANGEMENT OF FLOODLIGHTING</b> 15m MEDIUM DUTY TRACK RANGE WITH 610 x 190 CLEAR ACCESS DOOR BASE PLATE MOUNTED		<b>DRAWING NUMBER</b> GA87	
0 06/08/08 ISSUED FOR CONSTRUCTION S.K.P		BY CHKD		A4 DO NOT SCALE		CHECKED BY DATE 07/08/08		DRAWN BY S.K.PONNAMBATH	
REV DATE DESCRIPTION		BY CHKD		DATE 07/08/08		SCALE 1:60		CAD FILE No GA87	
CUSTOMER NAME / PROJECT									