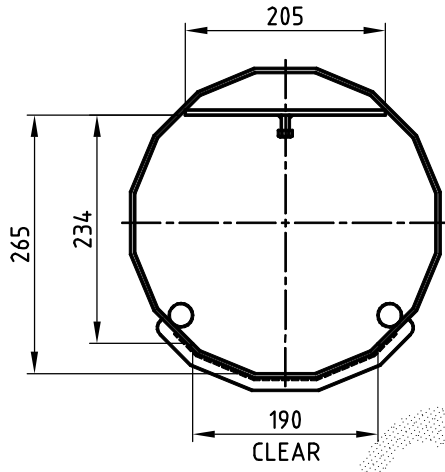
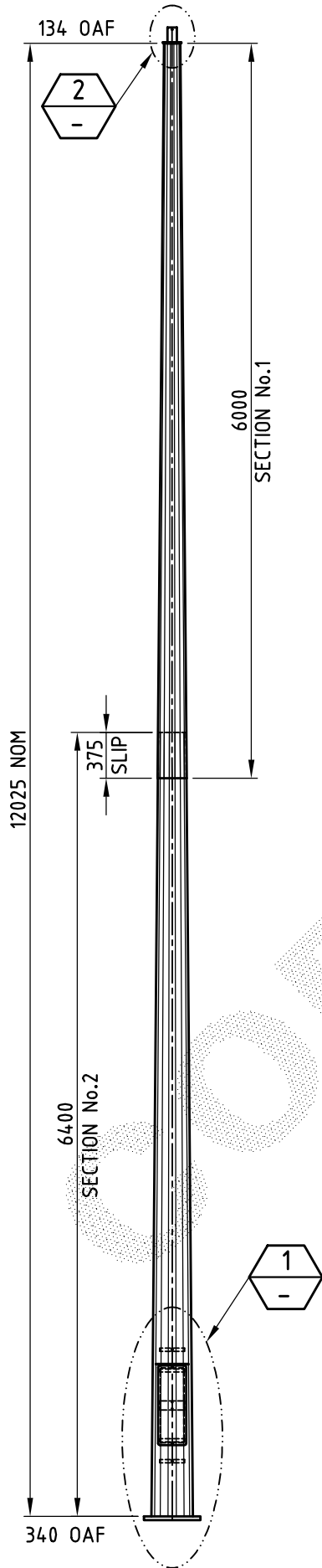
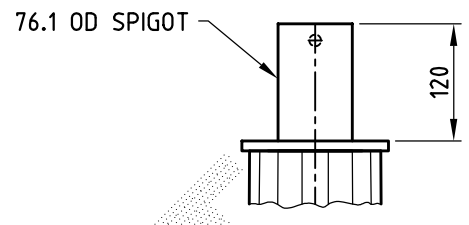
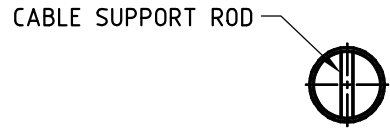


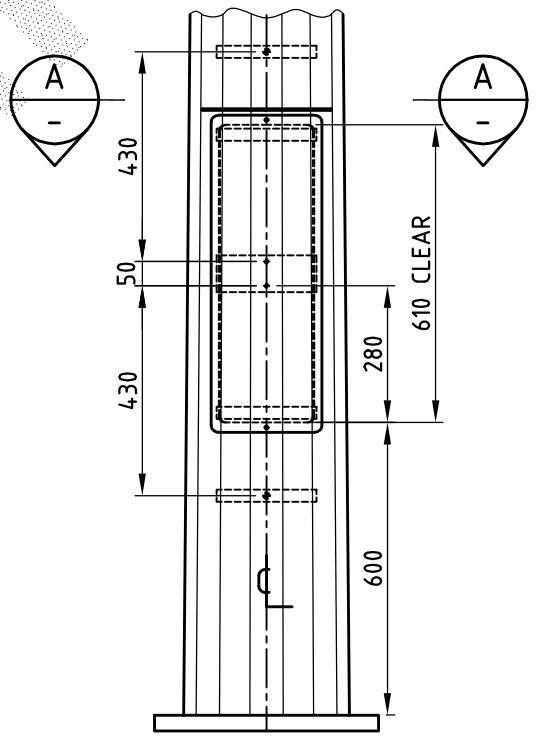
FOR GENERAL NOTES APPLICABLE TO THIS DRAWING REFER DRAWING GA1



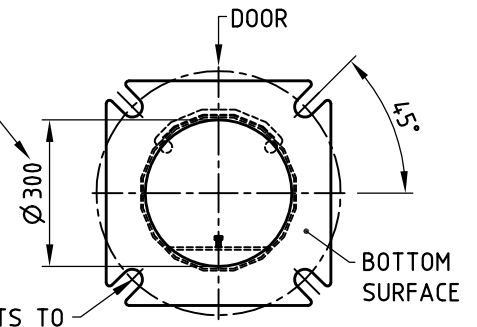
SECTION A
SCALE -NTS



DETAIL 2
SCALE -NTS



AVAILABLE FOR CABLE ACCESS



4 OFF Ø42 CORNER SLOTS TO SUIT M36 FOUNDATION BOLTS ON 500 PCD.
BASE PLATE 460 x 460

DETAIL 1
SCALE -NTS

FOR ASSEMBLY & DETAIL REFER AD3480

PRODUCT WEIGHT 329 kg		CUSTOMER APPROVAL DATE		COPYRIGHT THIS DOCUMENT PRODUCED BY INGAL EPS MUST NOT BE COPIED, TRACED, REPRODUCED, OR LENT WITHOUT WRITTEN CONSENT		INGAL EPS		PRODUCT NUMBER FTM12F	
				DIMENSIONS IN MILLIMETRES		GENERAL ARRANGEMENT OF FLOODLIGHTING 12m MEDIUM DUTY TRACK RANGE WITH 610 x 190 CLEAR ACCESS DOOR BASE PLATE MOUNTED		DRAWING NUMBER GA85	
0 06/08/08 ISSUED FOR CONSTRUCTION S.K.P								SHEET NUMBER	
REV DATE DESCRIPTION BY CHKD		CHECKED BY DATE		DATE		DRAWN BY		SCALE CAD FILE No	
CUSTOMER NAME / PROJECT		06/08/08		06/08/08		S.K.PONNAMBATH		1:50 GA85	