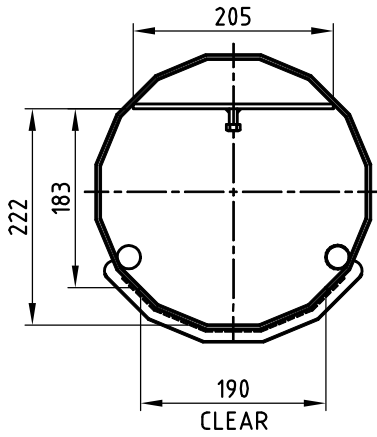
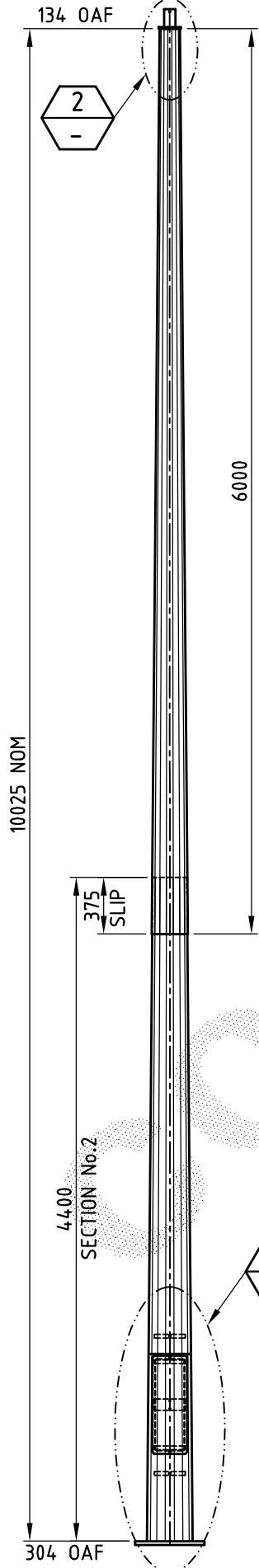
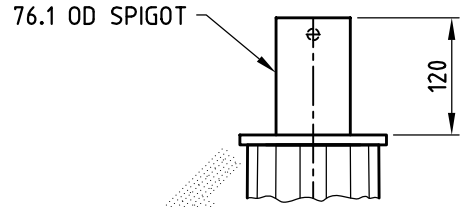
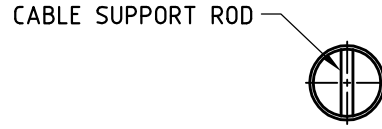


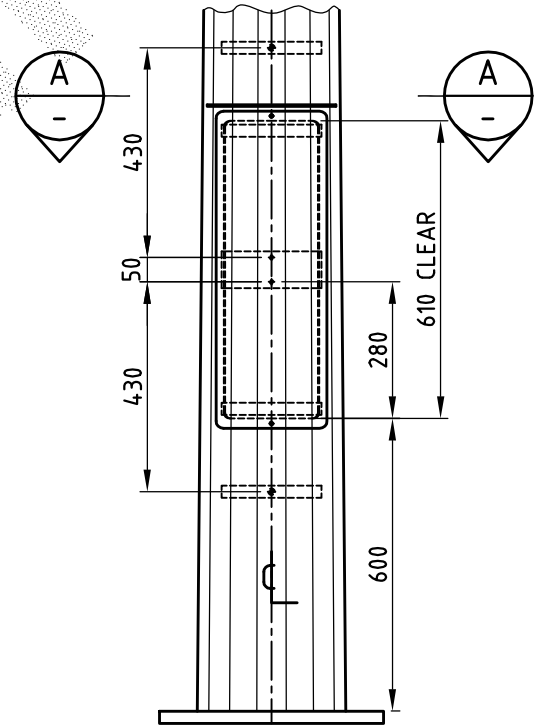
FOR GENERAL NOTES APPLICABLE TO THIS DRAWING REFER DRAWING GA1



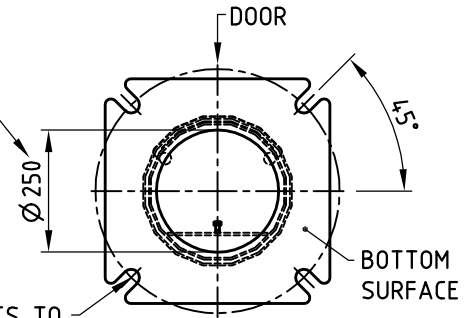
SECTION A
SCALE -NTS



DETAIL 2
SCALE -NTS



AVAILABLE FOR
CABLE ACCESS



4 OFF $\varnothing 36$ CORNER SLOTS TO
SUIT M30 FOUNDTION BOLTS
ON 500 PCD.
BASE PLATE 460 x 460

DETAIL 1
SCALE -NTS

FOR ASSEMBLY & DETAIL REFER AD3479

PRODUCT WEIGHT 257 kg		CUSTOMER APPROVAL DATE		COPYRIGHT THIS DOCUMENT PRODUCED BY INGAL EPS MUST NOT BE COPIED, TRACED, REPRODUCED, OR LENT WITHOUT WRITTEN CONSENT		INGAL EPS		PRODUCT NUMBER FTM10F	
				DIMENSIONS IN MILLIMETRES		GENERAL ARRANGEMENT OF FLOODLIGHTING 10m MEDIUM DUTY TRACK RANGE WITH 610 x 190 CLEAR ACCESS DOOR BASE PLATE MOUNTED		DRAWING NUMBER GA84	
0 04/08/08 ISSUED FOR CONSTRUCTION S.K.P				A4 DO NOT SCALE				SHEET NUMBER	
REV DATE DESCRIPTION BY CHKD		CHECKED BY DATE		DATE		DRAWN BY		SCALE 1:40 CAD FILE No GA84	
CUSTOMER NAME / PROJECT		04/08/08		04/08/08		S.K.PONNAMBATH			