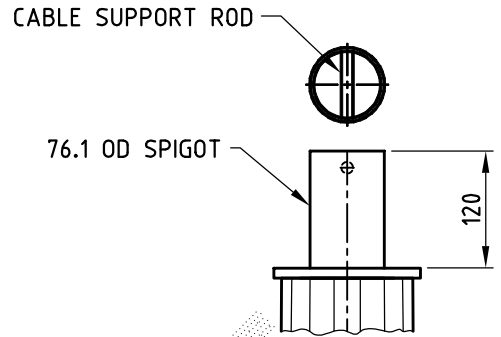
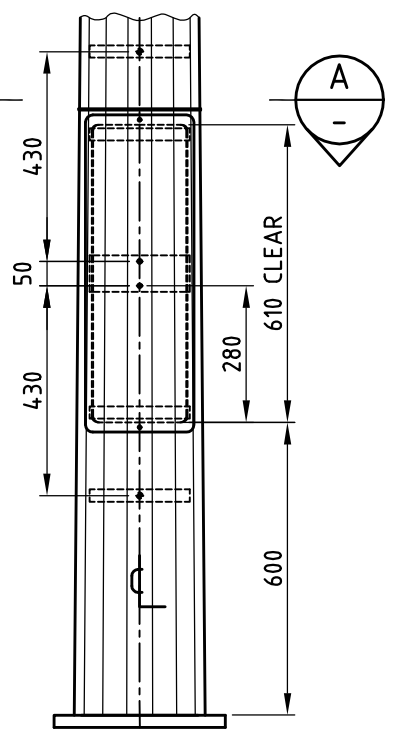


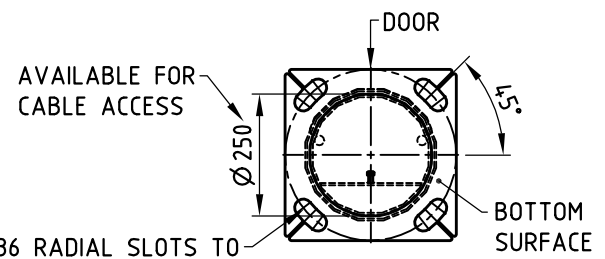
SECTION A
SCALE -NTS



DETAIL 2
SCALE -NTS



SECTION A
SCALE -NTS



4 OFF Ø36 RADIAL SLOTS TO SUIT M30 FOUNDTION BOLTS ON 350 PCD.
BASE PLATE 350 x 350

DETAIL 1
SCALE -NTS

FOR ASSEMBLY & DETAIL REFER AD3472

PRODUCT WEIGHT 174 kg		CUSTOMER APPROVAL DATE		COPYRIGHT THIS DOCUMENT PRODUCED BY INGAL EPS MUST NOT BE COPIED, TRACED, REPRODUCED, OR LENT WITHOUT WRITTEN CONSENT		INGAL EPS		PRODUCT NUMBER FTM8F	
				DIMENSIONS IN MILLIMETRES		GENERAL ARRANGEMENT OF FLOODLIGHTING 8m MEDIUM DUTY TRACK RANGE WITH 610 x 190 CLEAR ACCESS DOOR BASE PLATE MOUNTED		DRAWING NUMBER GA83	
				DO NOT SCALE				SHEET NUMBER	
0	04/08/08	ISSUED FOR CONSTRUCTION		S.K.P	BY	CHKD	A4	CHECKED BY	DATE
CUSTOMER NAME / PROJECT								04/08/08	04/08/08
								DRAWN BY	S.K.PONNAMBATH
								SCALE	1:35
								CAD FILE No	GA83