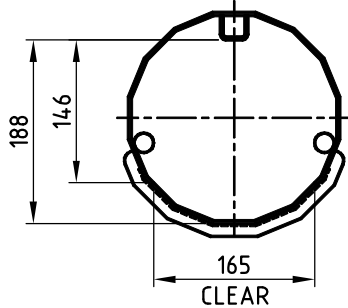
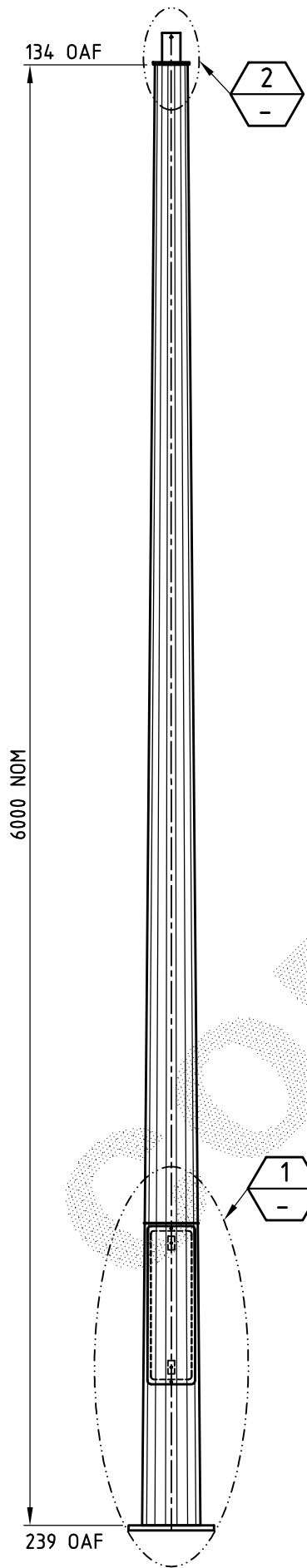
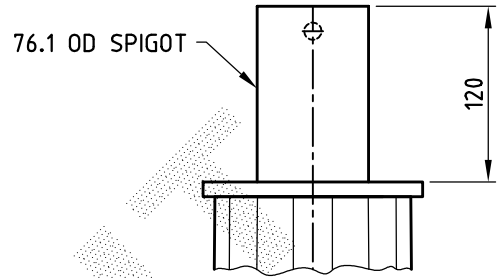
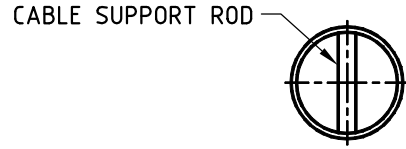


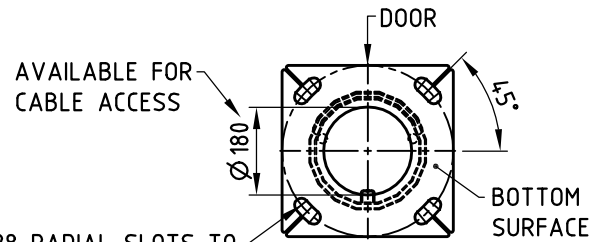
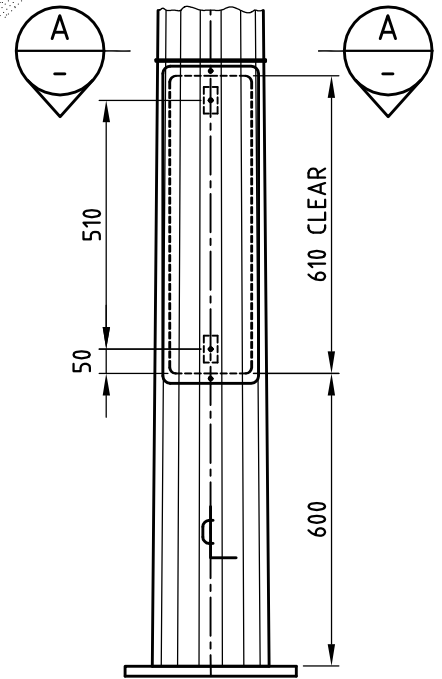
FOR GENERAL NOTES APPLICABLE TO THIS DRAWING REFER DRAWING GA1



SECTION A
SCALE -NTS



DETAIL 2
SCALE -NTS



4 OFF Ø28 RADIAL SLOTS TO SUIT M24 FOUNDTION BOLTS ON 350 PCD.
BASE PLATE 350 x 350

DETAIL 1
SCALE -NTS

FOR ASSEMBLY & DETAIL REFER AD3471

PRODUCT WEIGHT 112 kg	CUSTOMER APPROVAL DATE	COPYRIGHT THIS DOCUMENT PRODUCED BY IN GAL EPS MUST NOT BE COPIED, TRACED, REPRODUCED, OR LENT WITHOUT WRITTEN CONSENT	INGAL EPS	PRODUCT NUMBER FTM6F
		DIMENSIONS IN MILLIMETRES	GENERAL ARRANGEMENT OF FLOODLIGHTING 6m MEDIUM DUTY TRACK RANGE WITH 610 x 165 CLEAR ACCESS DOOR BASE PLATE MOUNTED	DRAWING NUMBER GA82
0	29/07/08	ISSUED FOR CONSTRUCTION	S.K.P	SHEET NUMBER
REV	DATE	DESCRIPTION	BY	CHKD
CUSTOMER NAME / PROJECT		CHECKED BY	DATE	SCALE
		A4	29/07/08	1:25
		DATE	29/07/08	CAD FILE No
		DRAWN BY	S.K.PONNAMBATH	GA82