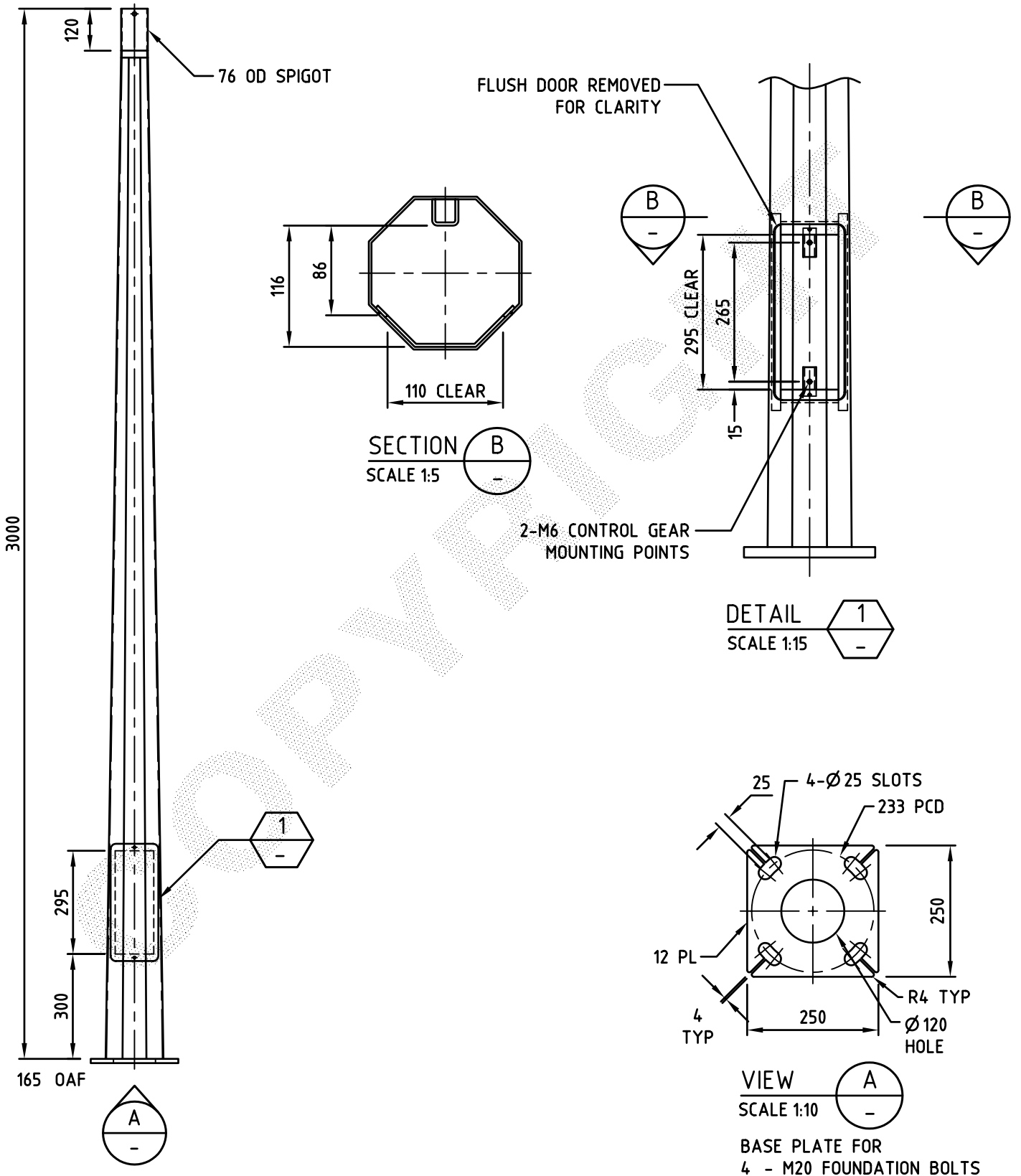



FOR GENERAL NOTES APPLICABLE TO THIS DRAWING REFER DRAWING GA1



FOR ASSEMBLY & DETAIL REFER AD832

PRODUCT WEIGHT 32 kg		CUSTOMER APPROVAL DATE		COPYRIGHT THIS DOCUMENT PRODUCED BY INGAL EPS MUST NOT BE COPIED, TRACED, REPRODUCED, OR LENT WITHOUT WRITTEN CONSENT		INGAL EPS		PRODUCT NUMBER FBM3F		
				DIMENSIONS IN MILLIMETRES		FLOODLIGHTING BOULEVARD OCTAGONAL 3m		DRAWING NUMBER GA8		
						76 OD x 120 SPIGOT		SHEET NUMBER		
0	25/10/06	FIRST ISSUE		J.M		A4 DO NOT SCALE				
REV	DATE	DESCRIPTION	BY	CHKD		CHECKED BY DATE 25/10/06	DATE 24/10/06	DRAWN BY J. MARTIN	SCALE 1:15	CAD FILE No GA8
CUSTOMER NAME / PROJECT										