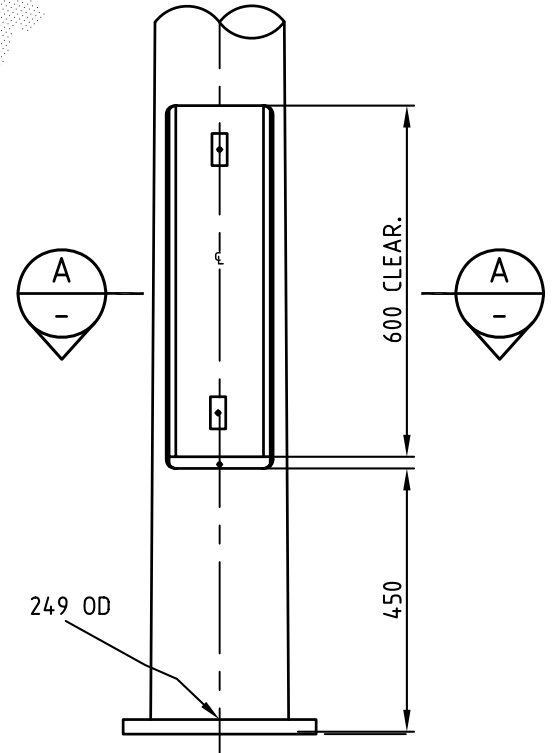
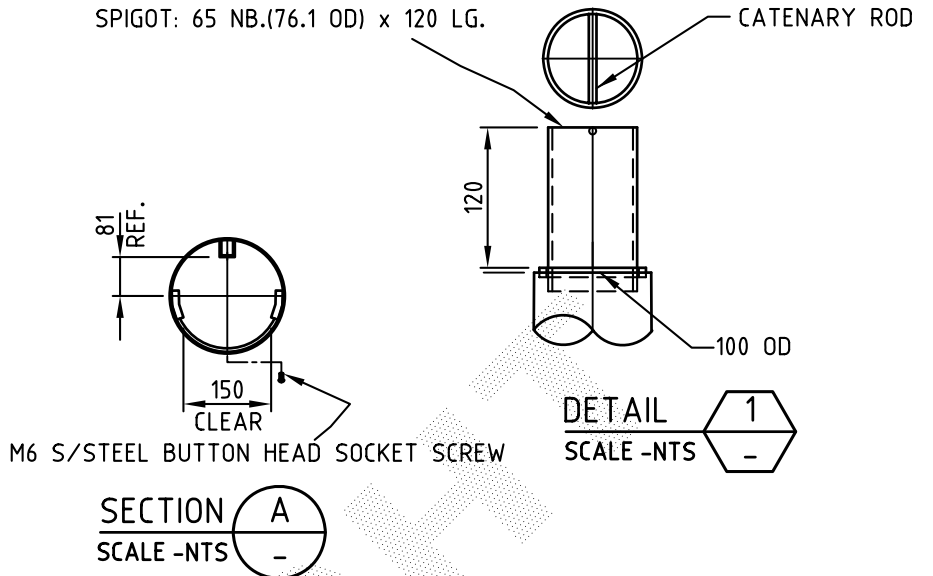
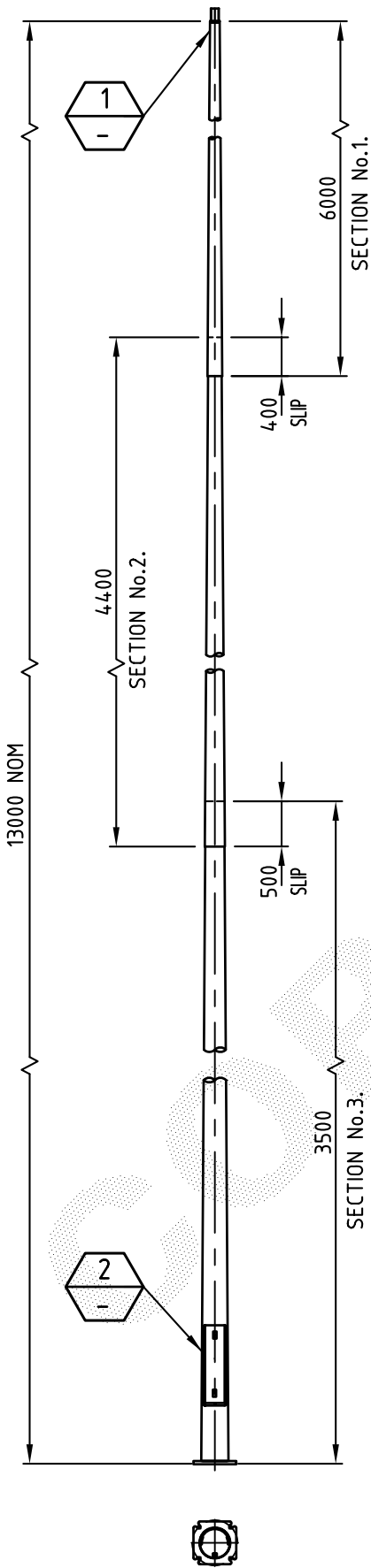
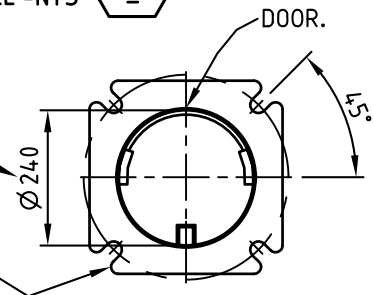


FOR GENERAL NOTES APPLICABLE TO THIS DRAWING REFER DRAWING GA1

SPIGOT: 65 NB.(76.1 OD) x 120 LG.



AVAILABLE FOR CABLE ACCESS.
 4 SLOTS TO SUIT M30 FOUNDATION BOLTS
 ON 350 PCD.
 BASE PLATE 350 x 350



FOR ASSEMBLY & DETAIL REFER AD436

PRODUCT WEIGHT kg 226		CUSTOMER APPROVAL DATE		COPYRIGHT THIS DOCUMENT PRODUCED BY INGAL EPS MUST NOT BE COPIED, TRACED, REPRODUCED, OR LENT WITHOUT WRITTEN CONSENT		INGAL EPS		PRODUCT NUMBER FPM13FR	
				DIMENSIONS IN MILLIMETRES		FLOODLIGHTING 13.0m. MEDIUM DUTY PARK RANGE BASE PLATE MOUNTED.		DRAWING NUMBER GA76	
0 17/07/06 ISSUED FOR CONSTRUCTION. R.S.		RE-DRAWN USING PP-STD-99-78 AS BASE DRG		BY CHKD		A4 DO NOT SCALE		SHEET NUMBER	
REV DATE DESCRIPTION		CHECKED BY DATE		DATE		DRAWN BY		SCALE	
CUSTOMER NAME / PROJECT		17/07/06		17/07/06		R.STANLEY		1:50 CAD FILE No GA76	