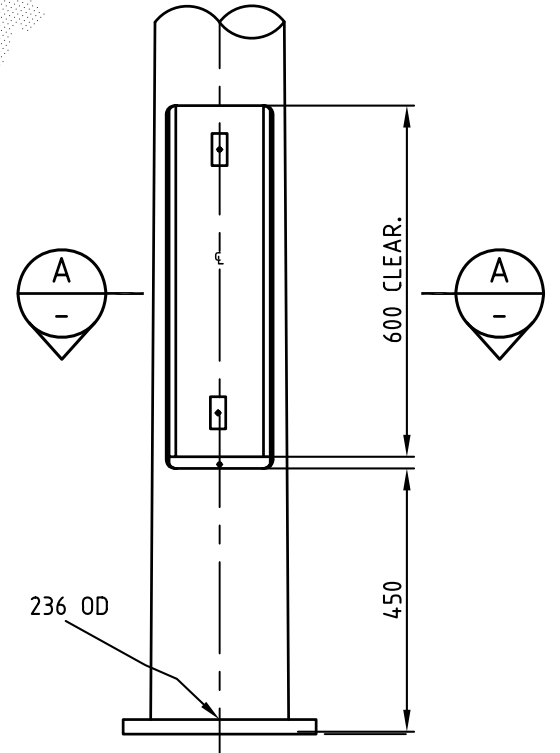
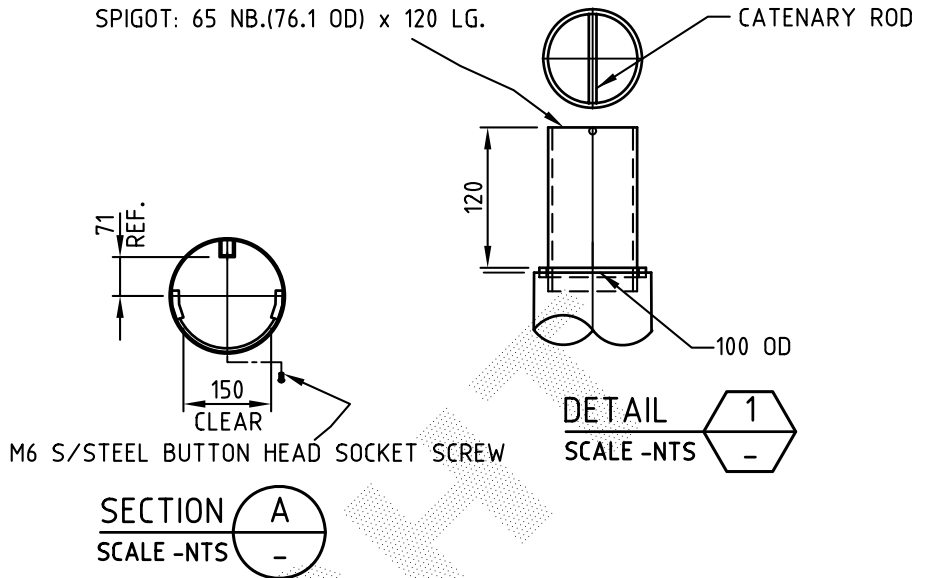
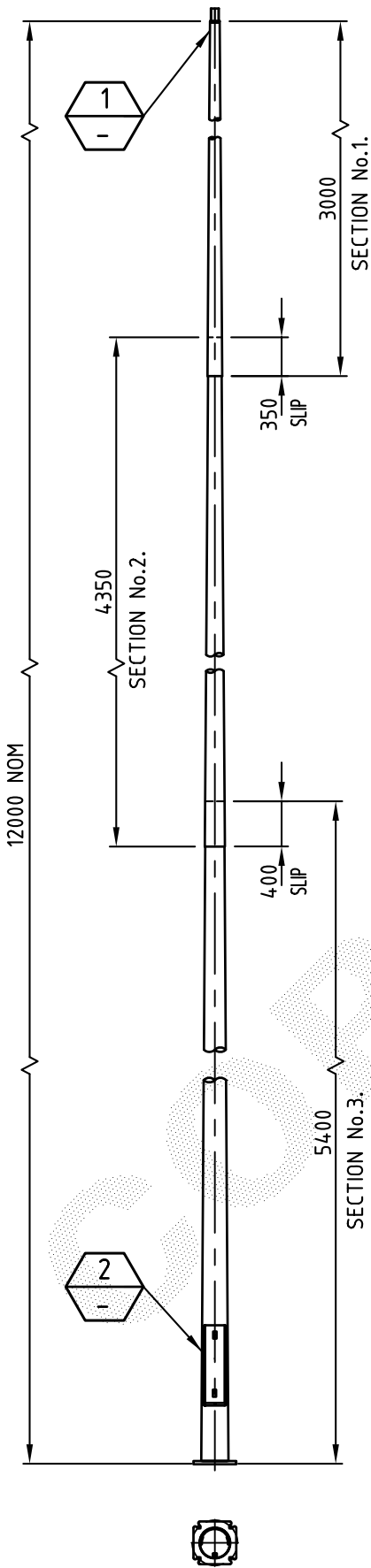
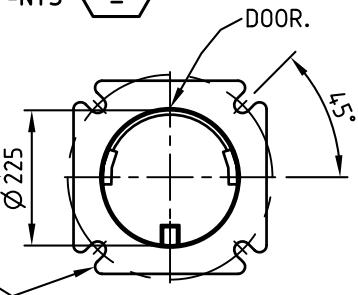


FOR GENERAL NOTES APPLICABLE TO THIS DRAWING REFER DRAWING GA1

SPIGOT: 65 NB.(76.1 OD) x 120 LG.



AVAILABLE FOR CABLE ACCESS.
 4 SLOTS TO SUIT M24 FOUNDATION BOLTS
 ON 350 PCD.
 BASE PLATE 330 x 330



FOR ASSEMBLY & DETAIL REFER AD219

PRODUCT WEIGHT kg 198		CUSTOMER APPROVAL DATE		COPYRIGHT THIS DOCUMENT PRODUCED BY INGAL EPS MUST NOT BE COPIED, TRACED, REPRODUCED, OR LENT WITHOUT WRITTEN CONSENT		INGAL EPS		PRODUCT NUMBER FPM12FR	
				DIMENSIONS IN MILLIMETRES		FLOODLIGHTING 12.0m. MEDIUM DUTY PARK RANGE BASE PLATE MOUNTED.		DRAWING NUMBER GA75	
0 29/05/06 ISSUED FOR CONSTRUCTION. R.S.		RE-DRAWN USING PP-STD-99-78 AS BASE DRG		A4 DO NOT SCALE				SHEET NUMBER	
REV DATE DESCRIPTION BY CHKD		CUSTOMER NAME / PROJECT		CHECKED BY DATE 29/05/06		DATE 29/05/06		DRAWN BY R.STANLEY	
								SCALE 1:50	
								CAD FILE No GA75	