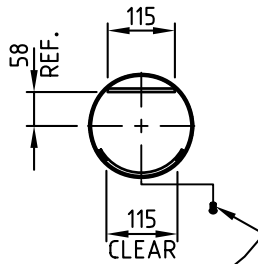
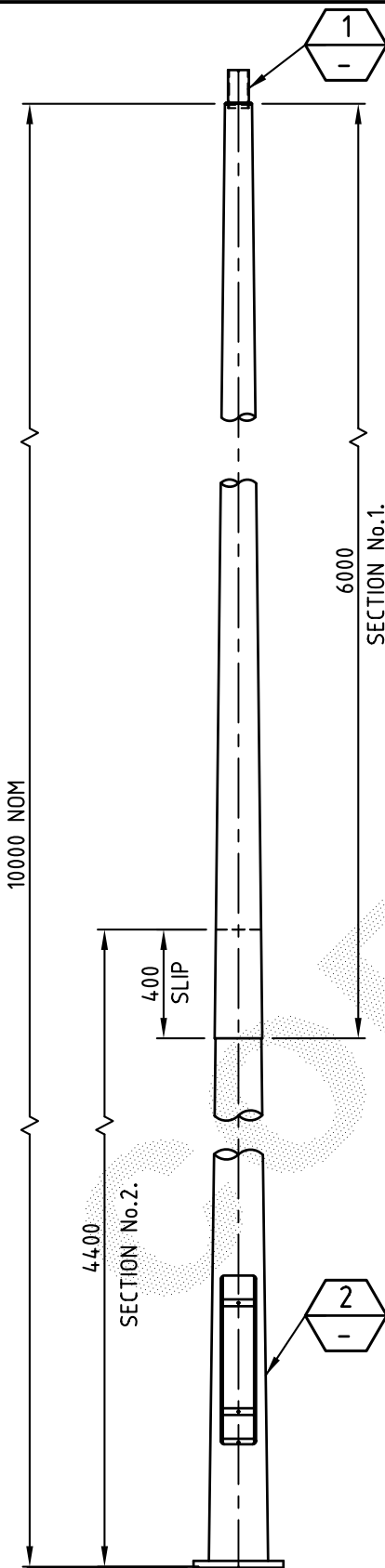
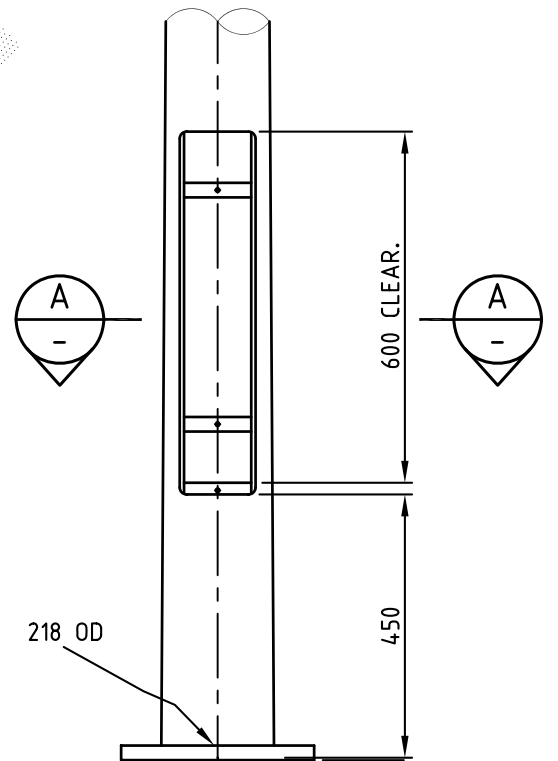
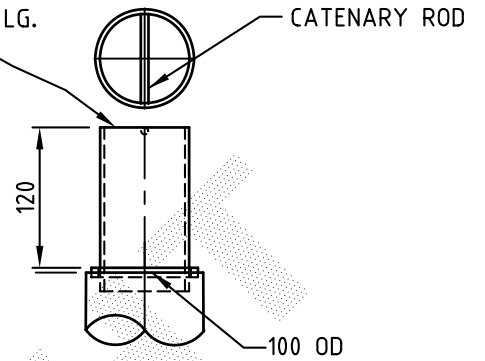
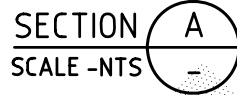


FOR GENERAL NOTES APPLICABLE TO THIS DRAWING REFER DRAWING GA1

SPIGOT: 65 NB.(76.1 OD) x 120 LG.

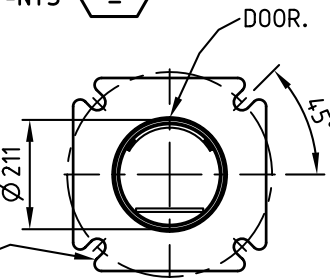


M6 S/STEEL BUTTON HEAD SOCKET SCREW



AVAILABLE FOR CABLE ACCESS.

4 SLOTS TO SUIT M24 FOUNDATION BOLTS ON 350 PCD.
BASE PLATE 330 x 330



FOR POLE ASSY. & DETAILS REFER DRG No. AD139

PRODUCT WEIGHT kg 160	CUSTOMER APPROVAL DATE	<small>COPYRIGHT THIS DOCUMENT PRODUCED BY INGAL EPS MUST NOT BE COPIED, TRACED, REPRODUCED, OR LENT WITHOUT WRITTEN CONSENT</small>	INGAL EPS	PRODUCT NUMBER FPM10FR
		<small>DIMENSIONS IN MILLIMETRES</small>	FLOODLIGHTING 10.0m. MEDIUM DUTY PARK RANGE BASE PLATE MOUNTED.	DRAWING NUMBER GA74
0	05/05/06	ISSUED FOR CONSTRUCTION.	R.S.	SHEET NUMBER
REV	DATE	DESCRIPTION	BY	CHKD
CUSTOMER NAME / PROJECT		RE-DRAWN USING PP-STD-98-15 AS BASE DRG.		
A4 DO NOT SCALE		CHECKED BY	DATE	DATE
			05/05/06	05/05/06
		DRAWN BY	R.STANLEY	
		SCALE	1:25	CAD FILE No GA74