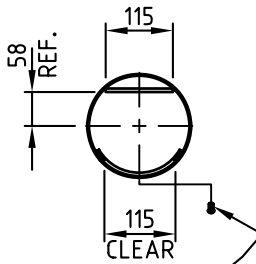
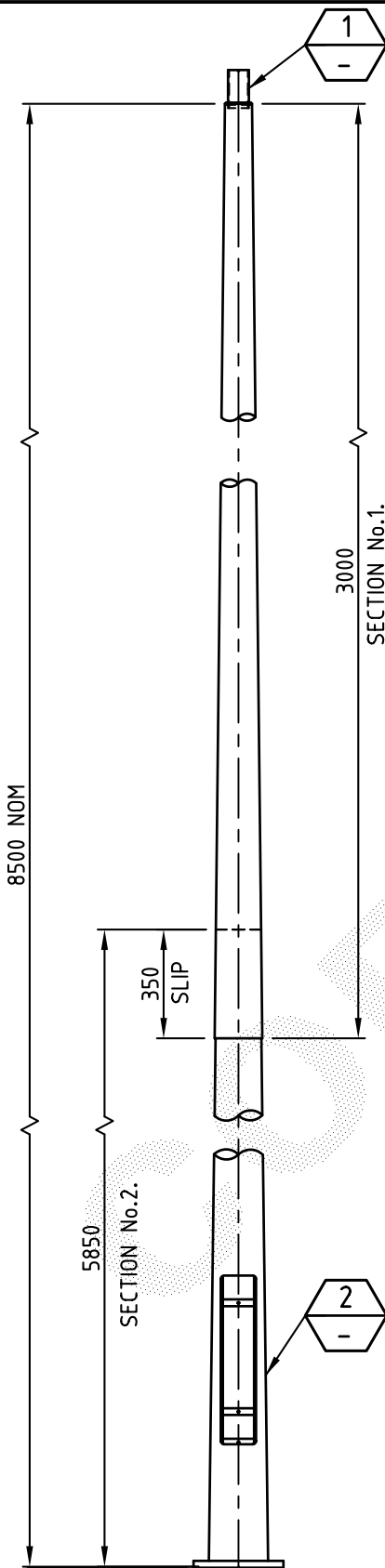


FOR GENERAL NOTES APPLICABLE TO THIS DRAWING REFER DRAWING GA1

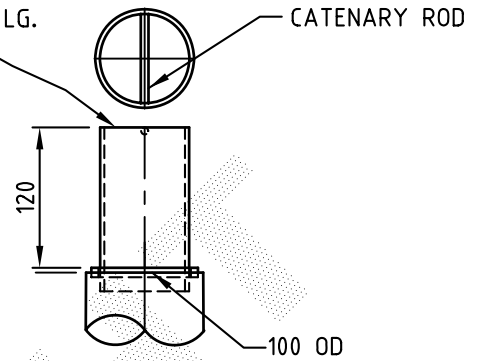
SPIGOT: 65 NB.(76.1 OD) x 120 LG.



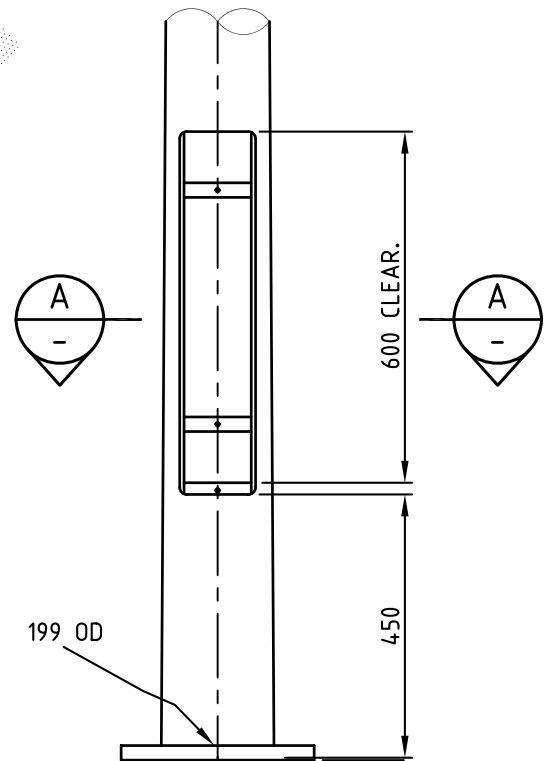
M6 S/STEEL BUTTON HEAD SOCKET SCREW



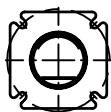
SECTION A
SCALE -NTS



DETAIL 1
SCALE -NTS

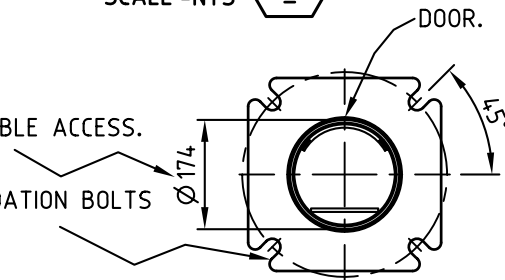


DETAIL 2
SCALE -NTS



4 SLOTS TO SUIT M24 FOUNDATION BOLTS
ON 350 PCD.
BASE PLATE 330 x 330

AVAILABLE FOR CABLE ACCESS.



FOR POLE ASSY. & DETAILS REFER DRG No. AD439

PRODUCT WEIGHT kg 127		CUSTOMER APPROVAL DATE		COPYRIGHT THIS DOCUMENT PRODUCED BY INGAL EPS MUST NOT BE COPIED, TRACED, REPRODUCED, OR LENT WITHOUT WRITTEN CONSENT		INGAL EPS		PRODUCT NUMBER FPM85FR	
				DIMENSIONS IN MILLIMETRES		FLOODLIGHTING 8.5m. MEDIUM DUTY PARK RANGE BASE PLATE MOUNTED.		DRAWING NUMBER GA73	
0 22/08/06 ISSUED FOR CONSTRUCTION. R.S.		RE-DRAWN USING PP-STD-99-74 AS BASE DRG		BY CHKD		A4 DO NOT SCALE		SHEET NUMBER	
REV DATE DESCRIPTION		CHECKED BY DATE		DATE		DRAWN BY		SCALE	
CUSTOMER NAME / PROJECT		22/08/06		22/08/06		R.STANLEY		1:25	
								CAD FILE No GA73	