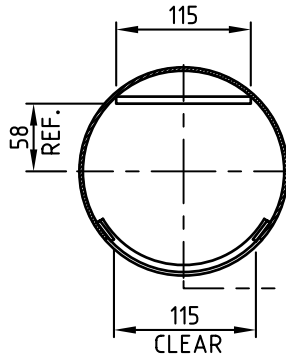
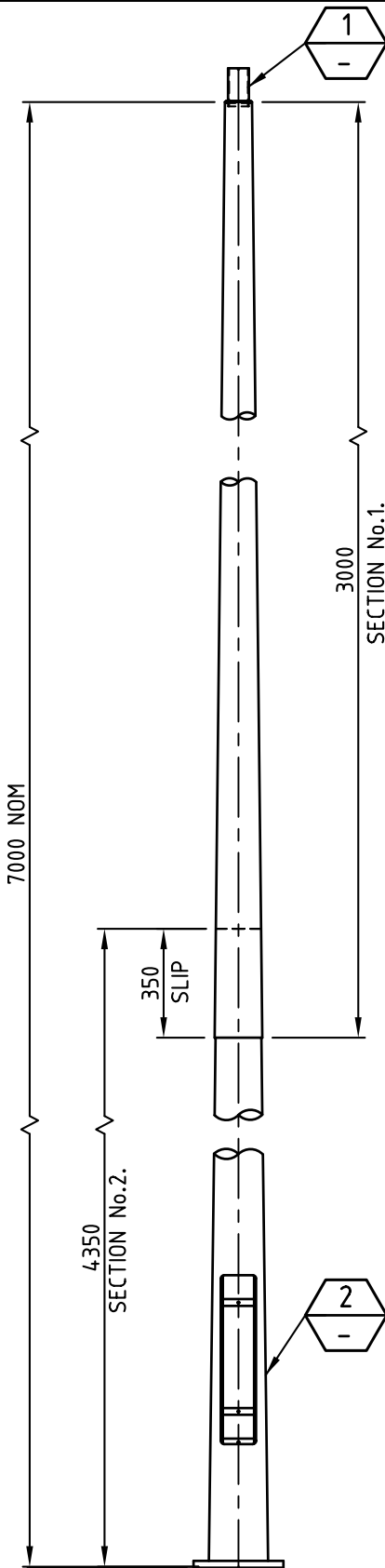


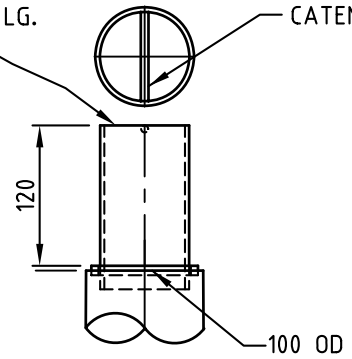
FOR GENERAL NOTES APPLICABLE TO THIS DRAWING REFER DRAWING GA1

SPIGOT: 65 NB.(76.1 OD) x 120 LG.

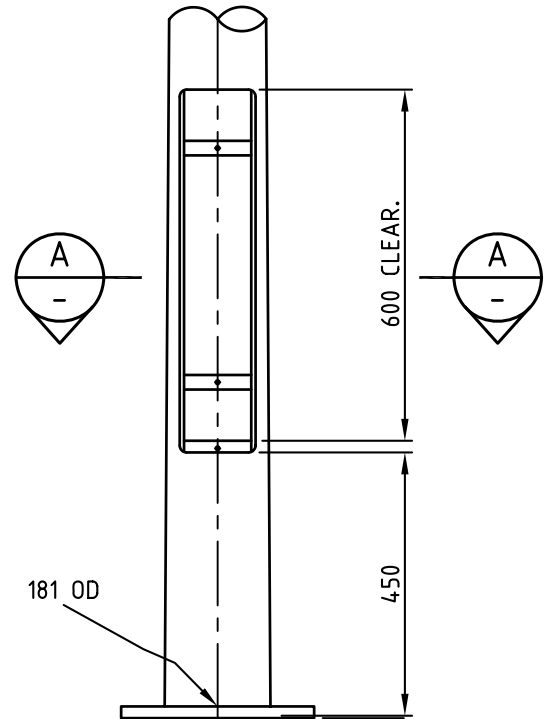
CATENARY ROD



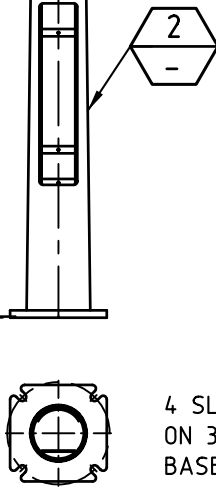
M6 S/STEEL BUTTON HEAD SOCKET SCREW



DETAIL 1
SCALE -NTS

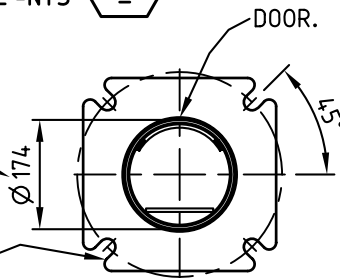


DETAIL 2
SCALE -NTS



4 SLOTS TO SUIT M24 FOUNDATION BOLTS ON 350 PCD.
BASE PLATE 330 x 330

AVAILABLE FOR CABLE ACCESS.



FOR POLE ASSY. & DETAILS REFER DRG No. AD438

PRODUCT WEIGHT kg 101		CUSTOMER APPROVAL DATE		COPYRIGHT THIS DOCUMENT PRODUCED BY INGAL EPS MUST NOT BE COPIED, TRACED, REPRODUCED, OR LENT WITHOUT WRITTEN CONSENT		INGAL EPS		PRODUCT NUMBER FPM7FR	
				DIMENSIONS IN MILLIMETRES		FLOODLIGHTING 7.0m. MEDIUM DUTY PARK RANGE BASE PLATE MOUNTED.		DRAWING NUMBER GA72	
REV 0 18/07/06 ISSUED FOR CONSTRUCTION. R.S.				RE-DRAWN USING PP-STD-99-72 AS BASE DRG		A4 DO NOT SCALE		SHEET NUMBER	
REV DATE DESCRIPTION BY CHKD		CUSTOMER NAME / PROJECT		CHECKED BY DATE 18/07/06		DATE 18/07/06		DRAWN BY R.STANLEY	
								SCALE 1:25	
								CAD FILE No GA72	