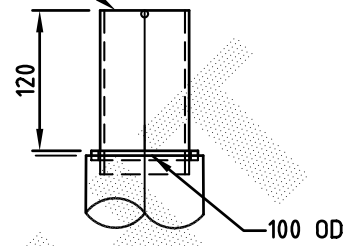
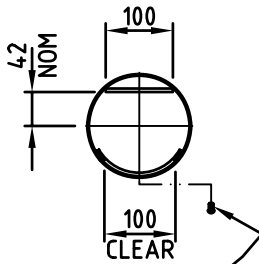
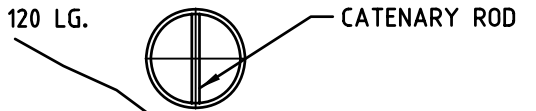


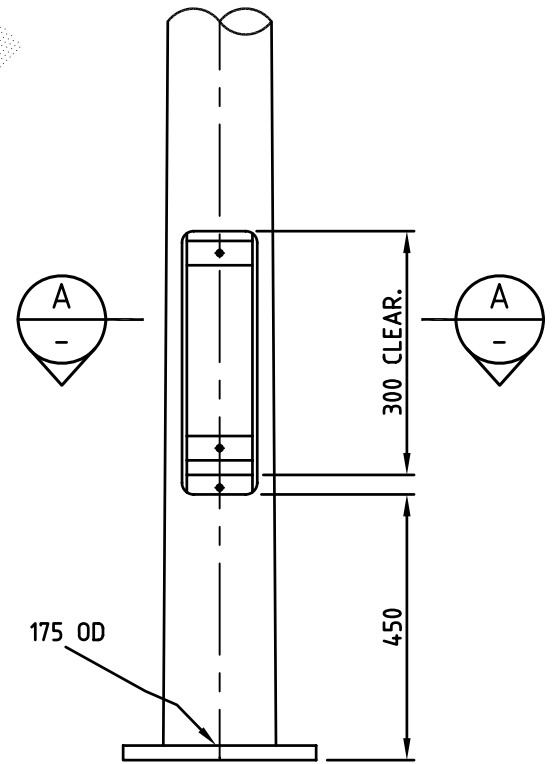
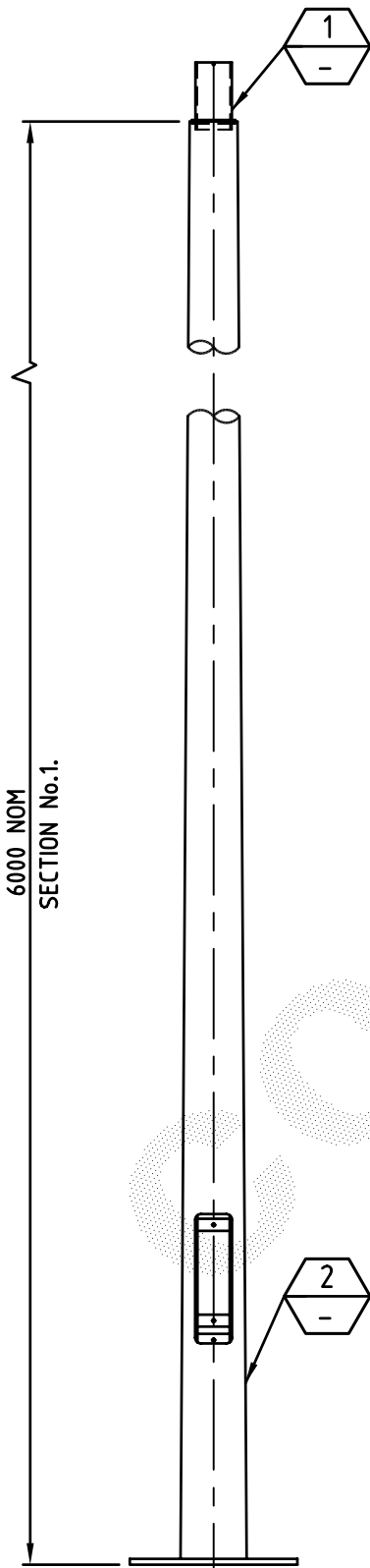
FOR GENERAL NOTES APPLICABLE TO THIS DRAWING REFER DRAWING GA1

SPIGOT: 65 NB.(76.1 OD) x 120 LG.



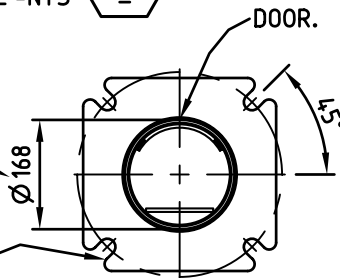
DETAIL 1
SCALE -NTS

SECTION A
SCALE -NTS



DETAIL 2
SCALE -NTS

AVAILABLE FOR CABLE ACCESS.
4 SLOTS TO SUIT M20 FOUNDATION BOLTS ON 350 PCD.
BASE PLATE 330 x 330



FOR ASSEMBLY & DETAIL REFER AD635

PRODUCT WEIGHT kg 75		CUSTOMER APPROVAL DATE		COPYRIGHT THIS DOCUMENT PRODUCED BY INGAL EPS MUST NOT BE COPIED, TRACED, REPRODUCED, OR LENT WITHOUT WRITTEN CONSENT		INGAL EPS		PRODUCT NUMBER FPM6FR	
				DIMENSIONS IN MILLIMETRES		FLOODLIGHTING 6.0m. MEDIUM DUTY PARK RANGE BASE PLATE MOUNTED.		DRAWING NUMBER GA71	
0 02/05/07 ISSUED FOR CONSTRUCTION. R.S.								SHEET NUMBER	
RE-DRAWN USING PP-STD-98-07 AS BASE DRG.				A4 DO NOT SCALE					
REV DATE DESCRIPTION BY CHKD				CHECKED BY DATE 02/05/07		DATE 02/05/07		DRAWN BY R. STANLEY	
CUSTOMER NAME / PROJECT								SCALE 1:15 CAD FILE No GA71	