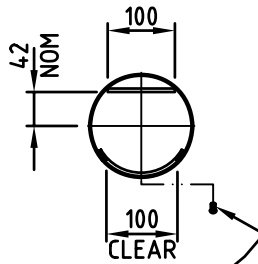
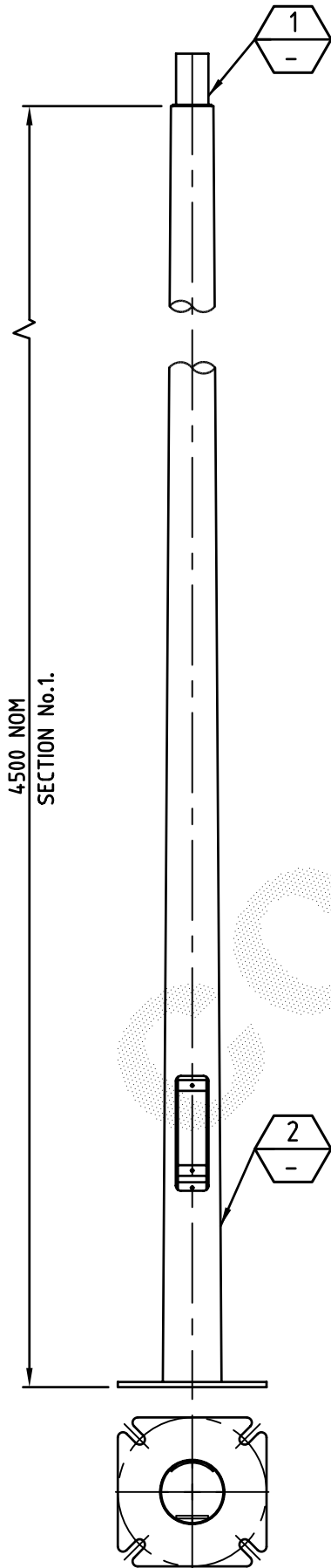


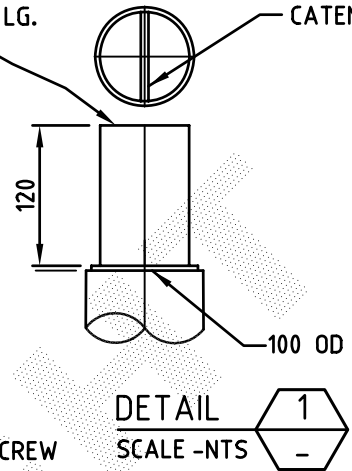
FOR GENERAL NOTES APPLICABLE TO THIS DRAWING REFER DRAWING GA1

SPIGOT: 65 NB.(76.1 OD) x 120 LG.

CATENARY ROD



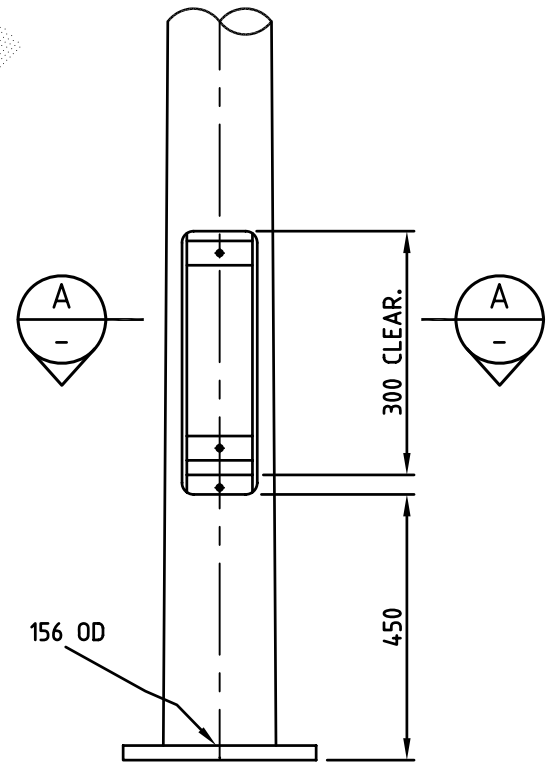
M6 S/STEEL BUTTON HEAD SOCKET SCREW



DETAIL

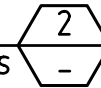
SCALE -NTS

SECTION A  
SCALE -NTS



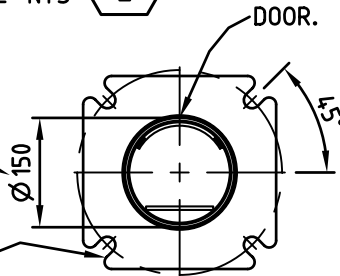
DETAIL

SCALE -NTS




AVAILABLE FOR CABLE ACCESS.

4 SLOTS TO SUIT M20 FOUNDATION BOLTS  
ON 350 PCD.  
BASE PLATE 330 x 330



FOR ASSEMBLY & DETAIL REFER AD634

<b>PRODUCT WEIGHT kg</b> 54		<b>CUSTOMER APPROVAL</b> DATE		COPYRIGHT THIS DOCUMENT PRODUCED BY INGAL EPS MUST NOT BE COPIED, TRACED, REPRODUCED, OR LENT WITHOUT WRITTEN CONSENT		<b>INGAL EPS</b>		<b>PRODUCT NUMBER</b> FPM45FR	
				DIMENSIONS IN MILLIMETRES		<b>FLOODLIGHTING</b> 4.5m. MEDIUM DUTY PARK RANGE BASE PLATE MOUNTED.		<b>DRAWING NUMBER</b> GA70	
0 02/05/07 ISSUED FOR CONSTRUCTION. R.S.								<b>SHEET NUMBER</b>	
RE-DRAWN USING PP-STD-98-04 AS BASE Dwg.				<b>A4 DO NOT SCALE</b>					
REV	DATE	DESCRIPTION	BY	CHKD	CHECKED BY	DATE	DATE	DRAWN BY	SCALE
CUSTOMER NAME / PROJECT					02/05/07	02/05/07	R. STANLEY	1:15	CAD FILE No GA70