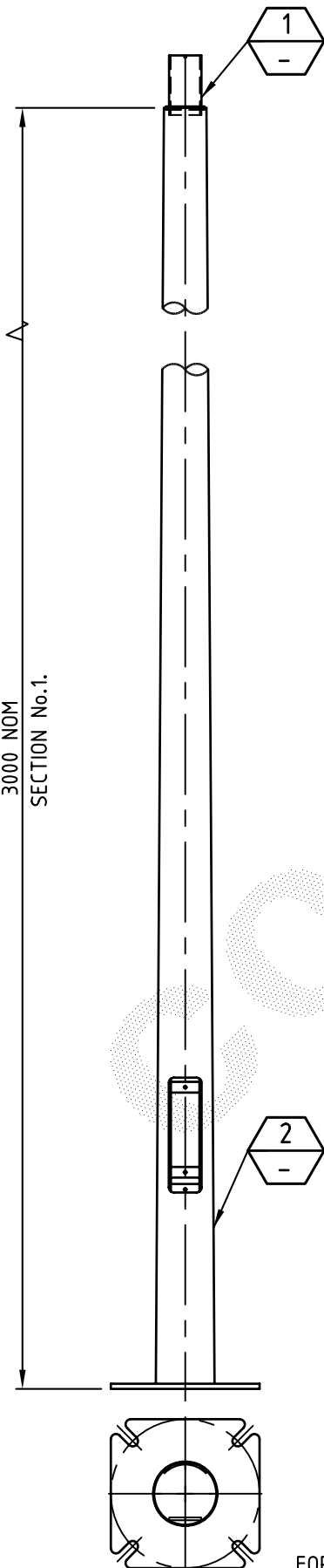


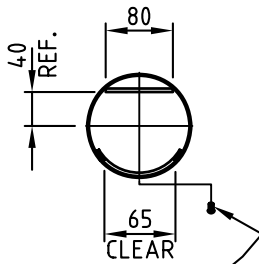
FOR GENERAL NOTES APPLICABLE TO THIS DRAWING REFER DRAWING GA1

SPIGOT: 65 NB.(76.1 OD) x 120 LG.

CATENARY ROD



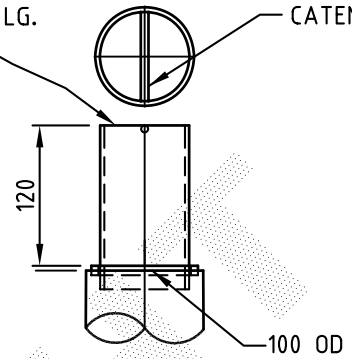
3000 NOM
SECTION No.1.



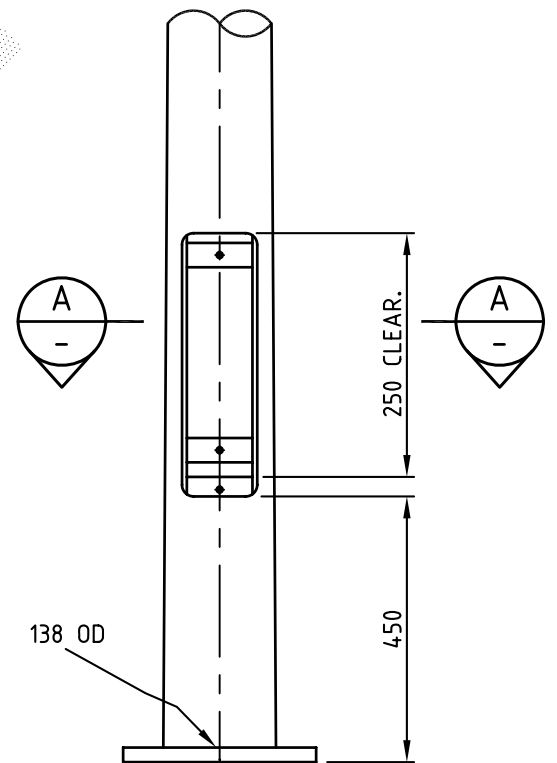
M6 S/STEEL BUTTON HEAD SOCKET SCREW



SECTION A
SCALE -NTS



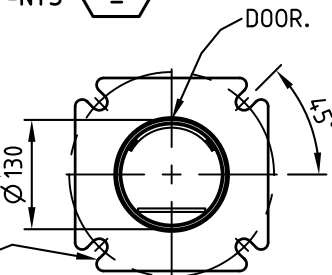
DETAIL 1
SCALE -NTS



DETAIL 2
SCALE -NTS

AVAILABLE FOR CABLE ACCESS.

4 SLOTS TO SUIT M20 FOUNDATION BOLTS
ON 350 PCD.
BASE PLATE 330 x 330



FOR POLE ASSY. & DETAILS REFER DRG No. AD633

PRODUCT WEIGHT kg 42		CUSTOMER APPROVAL DATE		COPYRIGHT THIS DOCUMENT PRODUCED BY INGal EPS MUST NOT BE COPIED, TRACED, REPRODUCED, OR LENT WITHOUT WRITTEN CONSENT		INGAL EPS		PRODUCT NUMBER FPM3FR	
				DIMENSIONS IN MILLIMETRES		FLOODLIGHTING 3.0m. MEDIUM DUTY PARK RANGE BASE PLATE MOUNTED.		DRAWING NUMBER GA69	
0 22/08/06 ISSUED FOR CONSTRUCTION. R.S.		RE-DRAWN USING PP-STD-98-00 AS BASE DRG		A4 DO NOT SCALE				SHEET NUMBER	
REV DATE DESCRIPTION BY CHKD		CUSTOMER NAME / PROJECT		CHECKED BY DATE 22/08/06		DATE 22/08/06		DRAWN BY R.STANLEY	
								SCALE 1:15	
								CAD FILE No GA69	