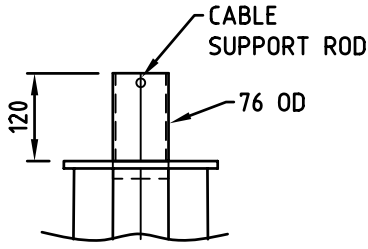
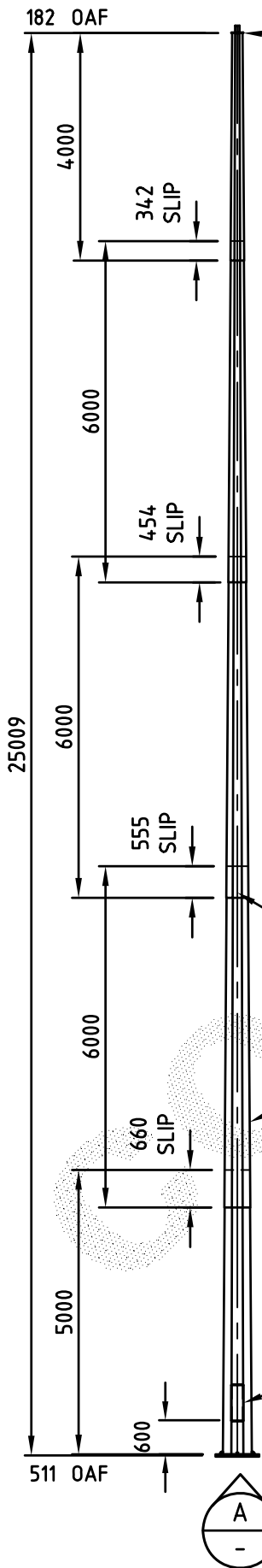
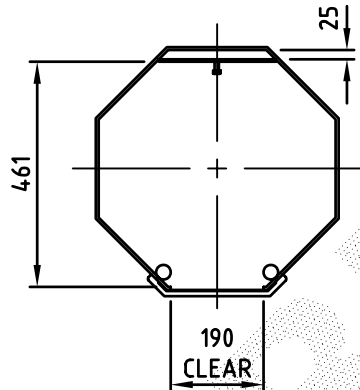


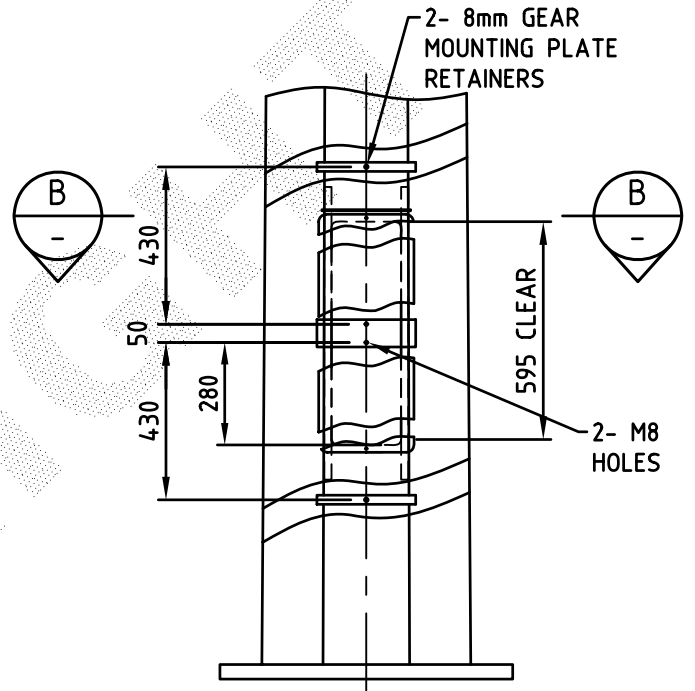
FOR GENERAL NOTES APPLICABLE TO THIS DRAWING REFER DRAWING GA1



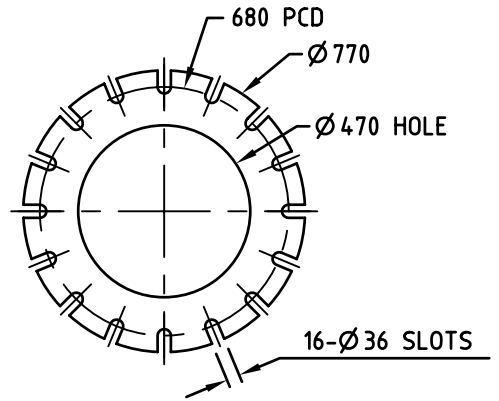
DETAIL 2  
SCALE 1:10



SECTION B  
SCALE 1:15



DETAIL 1  
SCALE 1:20



VIEW A  
SCALE -

BASE PLATE FOR 16- M30 FOUNDATION BOLTS

THIS SECTION ONLY IS MARKED 'M' EXTERNALLY NEAR BOTTOM EDGE

OCTAGONAL POLE SECTIONS

FOR ASSEMBLY & DETAIL REFER AD1938

<b>PRODUCT WEIGHT</b> 1400 kg		<b>CUSTOMER APPROVAL</b> DATE		COPYRIGHT THIS DOCUMENT PRODUCED BY INGal EPS MUST NOT BE COPIED, TRACED, REPRODUCED, OR LENT WITHOUT WRITTEN CONSENT		<b>INGAL EPS</b>		<b>PRODUCT NUMBER</b> FPM25F	
				DIMENSIONS IN MILLIMETRES		<b>FLOODLIGHTING</b> PARK OCTAGONAL 25m 76 OD x 120 LONG SPIGOT		<b>DRAWING NUMBER</b> GA62	
0 05/06/07 FIRST ISSUE I.W.				CHECKED BY: A4 DO NOT SCALE				<b>SHEET NUMBER</b>	
REV DATE DESCRIPTION BY CHKD		CHECKED BY: DATE 05/06/07		DATE 05/06/07		DRAWN BY: I. WHITE		SCALE 1:110 CAD FILE No GA62	
CUSTOMER NAME / PROJECT									