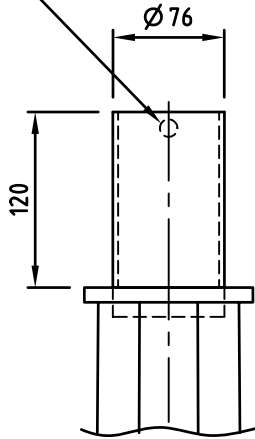
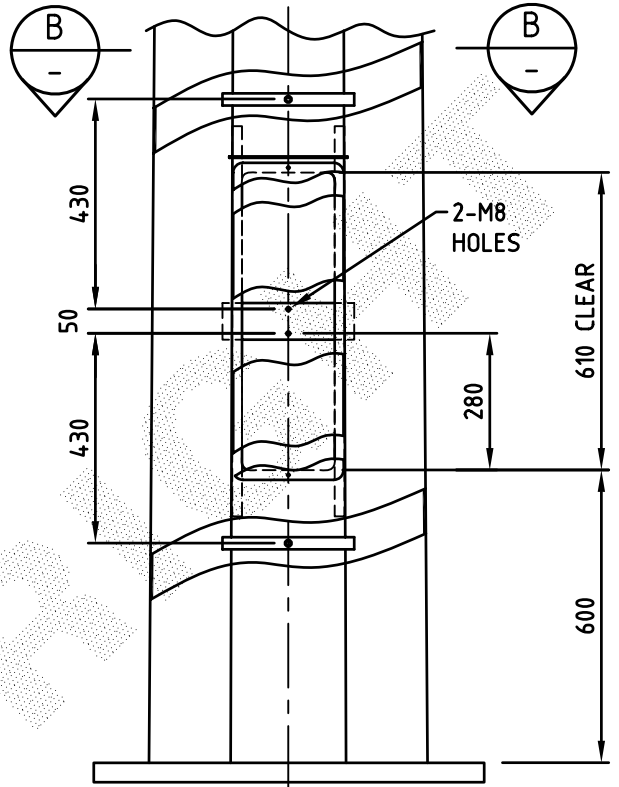


FOR GENERAL NOTES APPLICABLE TO THIS DRAWING REFER DRAWING GA1

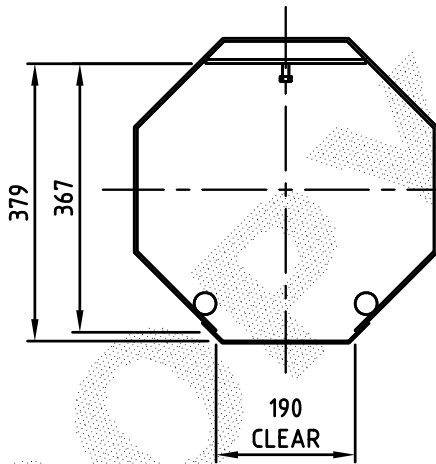
CABLE SUPPORT ROD



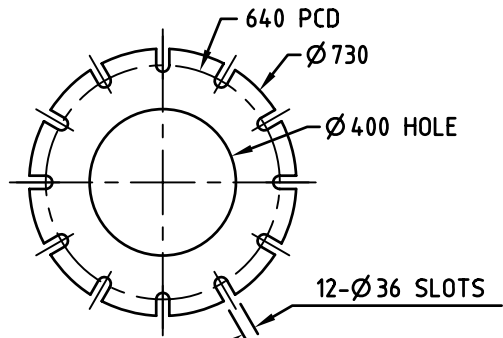
DETAIL 1
SCALE 1:5



DETAIL 2
SCALE 1:15

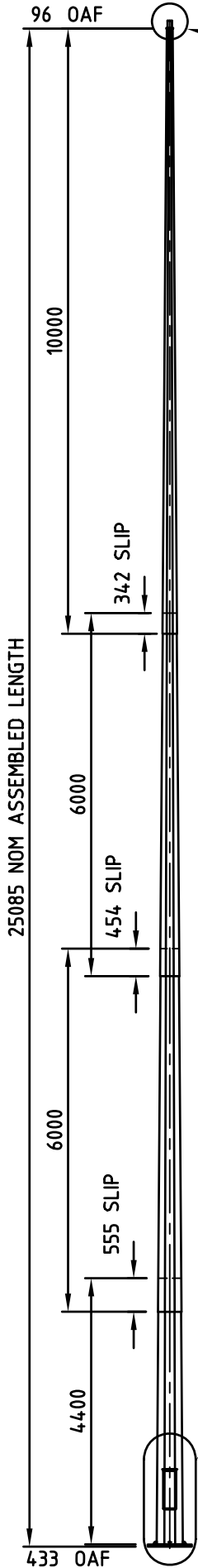


SECTION B
SCALE 1:15



VIEW A
SCALE 1:20

BASE PLATE FOR 12-M30 FOUNDATION BOLTS



FOR POLE ASSEMBLY & DETAIL REFER AD1518

PRODUCT WEIGHT 861 kg	CUSTOMER APPROVAL DATE	COPYRIGHT THIS DOCUMENT PRODUCED BY INGAL EPS MUST NOT BE COPIED, TRACED, REPRODUCED, OR LENT WITHOUT WRITTEN CONSENT DIMENSIONS IN MILLIMETRES	INGAL EPS	PRODUCT NUMBER FPLL25F
	0 09/03/07 FIRST ISSUE I.W. REV DATE DESCRIPTION BY CHKD CUSTOMER NAME / PROJECT			DRAWING NUMBER GA60 SHEET NUMBER
FLOODLIGHTING PARK OCTAGONAL 25m 76 OD x 120 LONG SOIGOT			CHECKED BY DATE DATE DRAWN BY A4 DO NOT SCALE 09/03/07 09/03/07 I. WHITE	