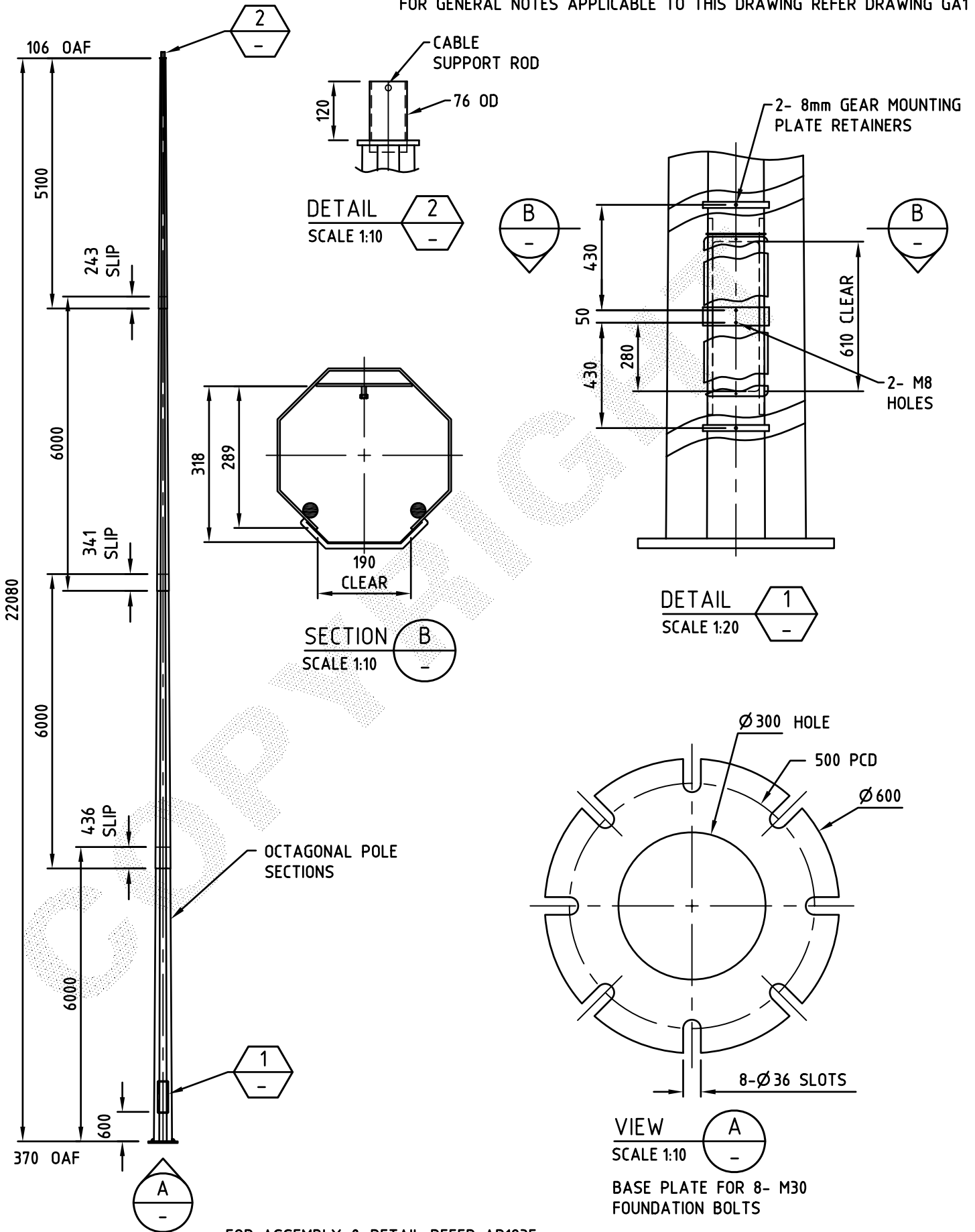


FOR GENERAL NOTES APPLICABLE TO THIS DRAWING REFER DRAWING GA1



DETAIL 2
SCALE 1:10

SECTION B
SCALE 1:10

DETAIL 1
SCALE 1:20

VIEW A
SCALE 1:10

BASE PLATE FOR 8- M30 FOUNDATION BOLTS

FOR ASSEMBLY & DETAIL REFER AD1935

PRODUCT WEIGHT 718 kg		CUSTOMER APPROVAL DATE		COPYRIGHT THIS DOCUMENT PRODUCED BY INGal EPS MUST NOT BE COPIED, TRACED, REPRODUCED, OR LENT WITHOUT WRITTEN CONSENT		INGAL EPS		PRODUCT NUMBER FPL22F	
				DIMENSIONS IN MILLIMETRES		FLOODLIGHTING PARK OCTAGONAL 22m 76 OD x 120 LONG SPIGOT		DRAWING NUMBER GA59	
0 06/09/06 FIRST ISSUE I.W.				BY CHKD		A4 DO NOT SCALE		SHEET NUMBER	
REV DATE DESCRIPTION		CHECKED BY DATE		DATE		DRAWN BY		SCALE 1:10 CAD FILE No GA59	
CUSTOMER NAME / PROJECT		05/06/07		05/06/07		I. WHITE			