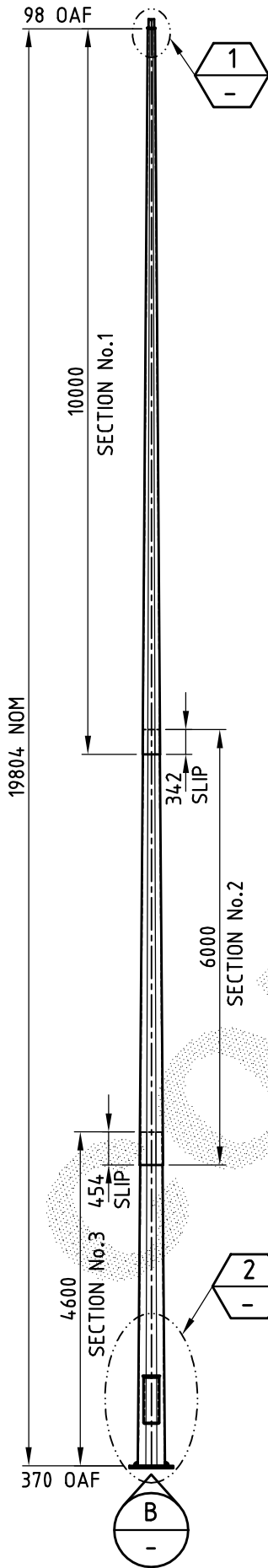
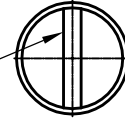


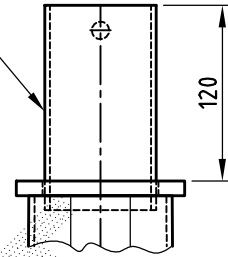
FOR GENERAL NOTES APPLICABLE TO THIS DRAWING REFER DRAWING GA1



CABLE SUPPORT ROD
SUPPLIED AS STANDARD

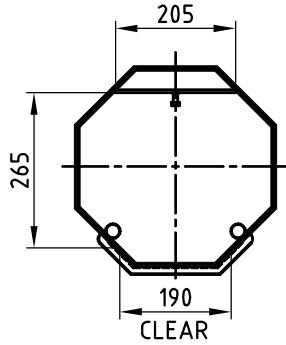


76.1 OD SPIGOT

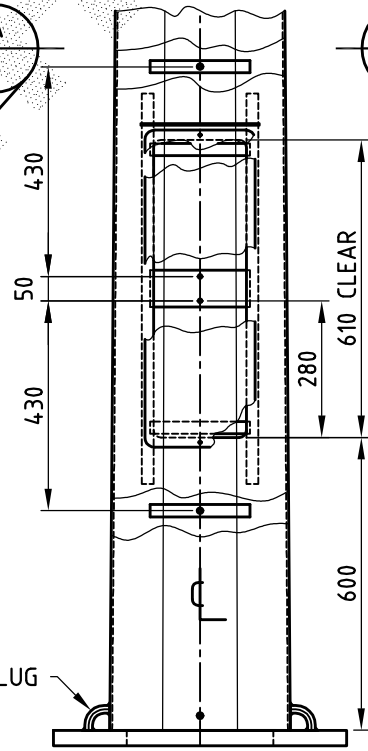


DETAIL 1

SCALE -NTS



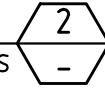
SECTION A
SCALE -NTS



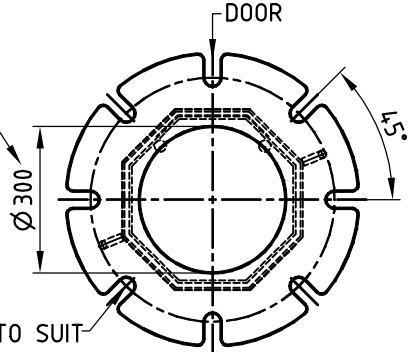
LIFTING LUG

DETAIL 2

SCALE -NTS



AVAILABLE FOR
CABLE ACCESS

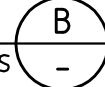


8 OFF Ø36 SLOTS TO SUIT
M30 FOUNDATION BOLTS ON
500 PCD.

BASE PLATE Ø600

VIEW B

SCALE -NTS



FOR ASSEMBLY & DETAIL REFER AD3470

PRODUCT WEIGHT 650 kg		CUSTOMER APPROVAL DATE		COPYRIGHT THIS DOCUMENT PRODUCED BY INGAL EPS MUST NOT BE COPIED, TRACED, REPRODUCED, OR LENT WITHOUT WRITTEN CONSENT		INGAL EPS		PRODUCT NUMBER FPH20F	
				DIMENSIONS IN MILLIMETRES		GENERAL ASSEMBLY OF FLOODLIGHTING 20m HEAVY DUTY PARK RANGE 76 OD x 120 SPIGOT BASE PLATE MOUNTED		DRAWING NUMBER GA58	
0		29/07/08		ISSUED FOR CONSTRUCTION		S.K.P		SHEET NUMBER	
REV		DATE		DESCRIPTION		BY		CHKD	
CUSTOMER NAME / PROJECT		CHECKED BY		DATE		DATE		SCALE	
		A4		DO NOT SCALE		29/07/08		1:85	
						S.K.PONNAMBATH		CAD FILE No GA58	